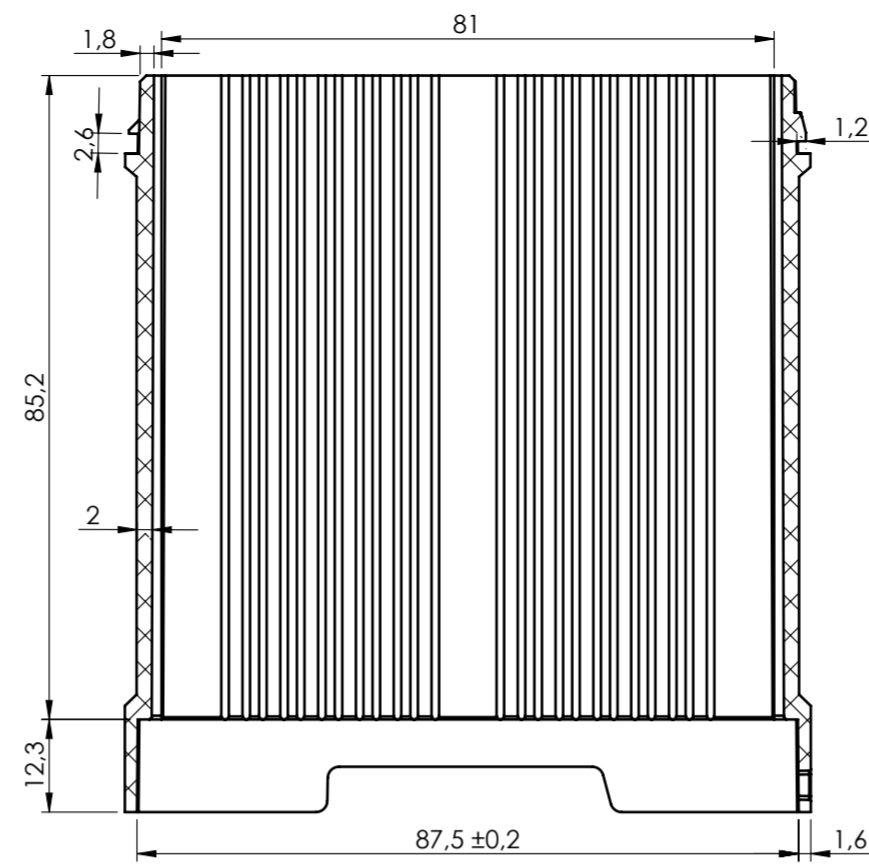
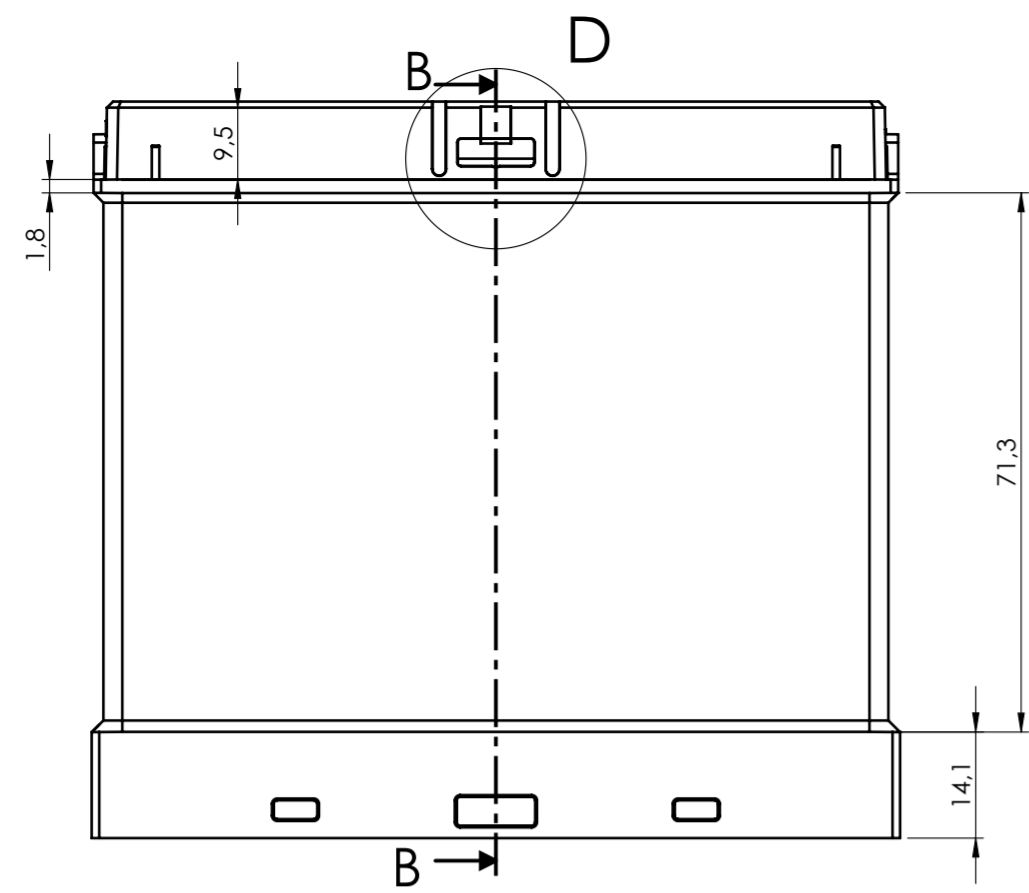
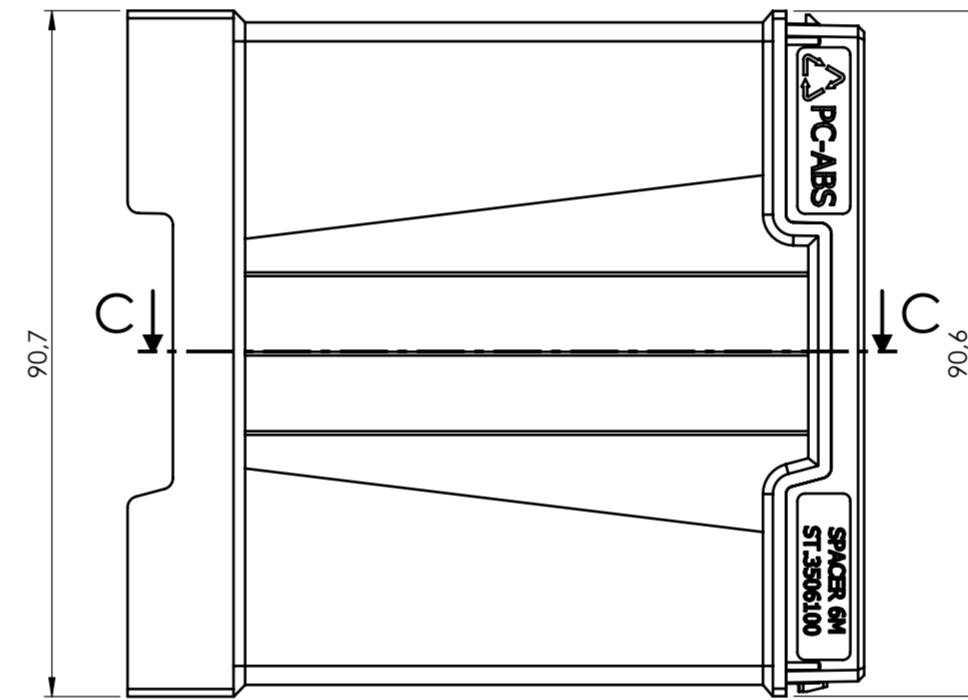
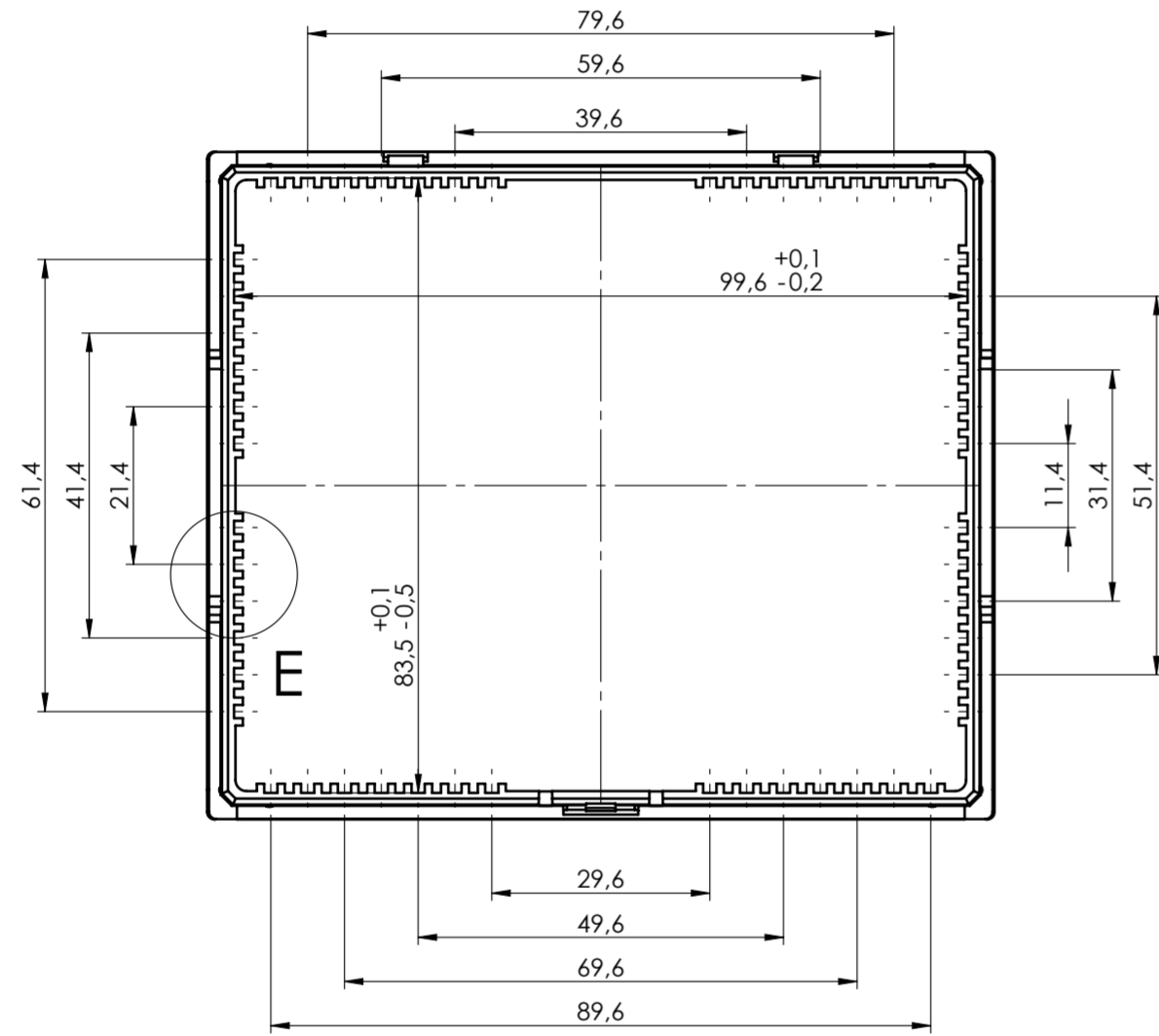
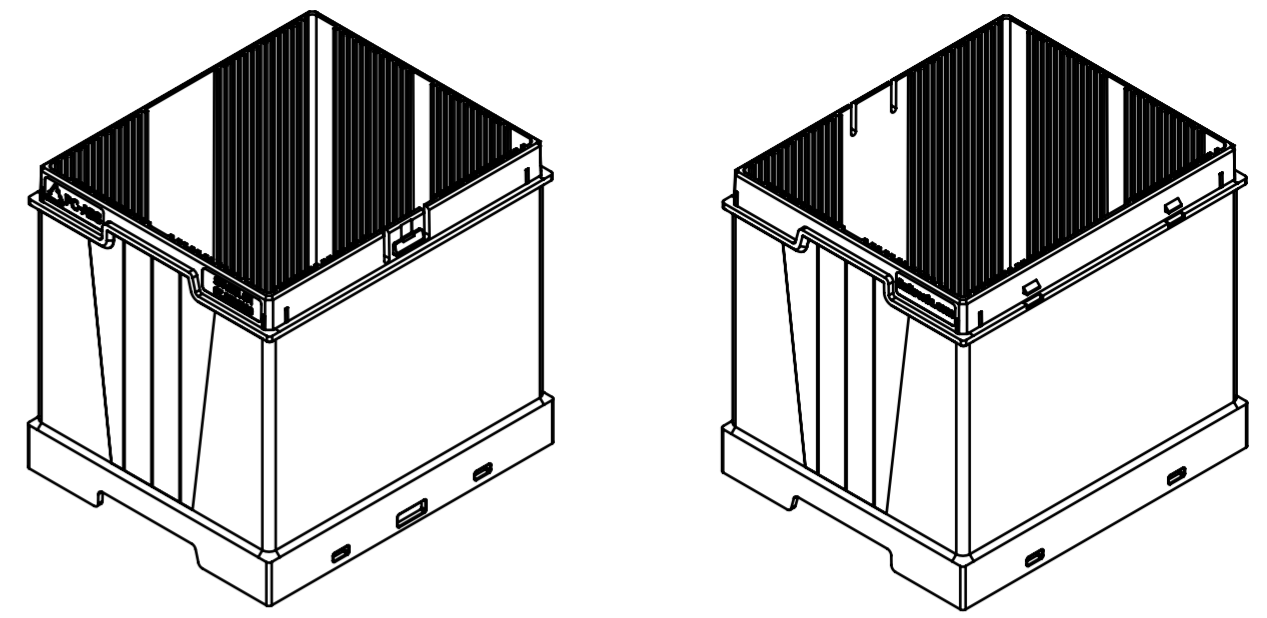


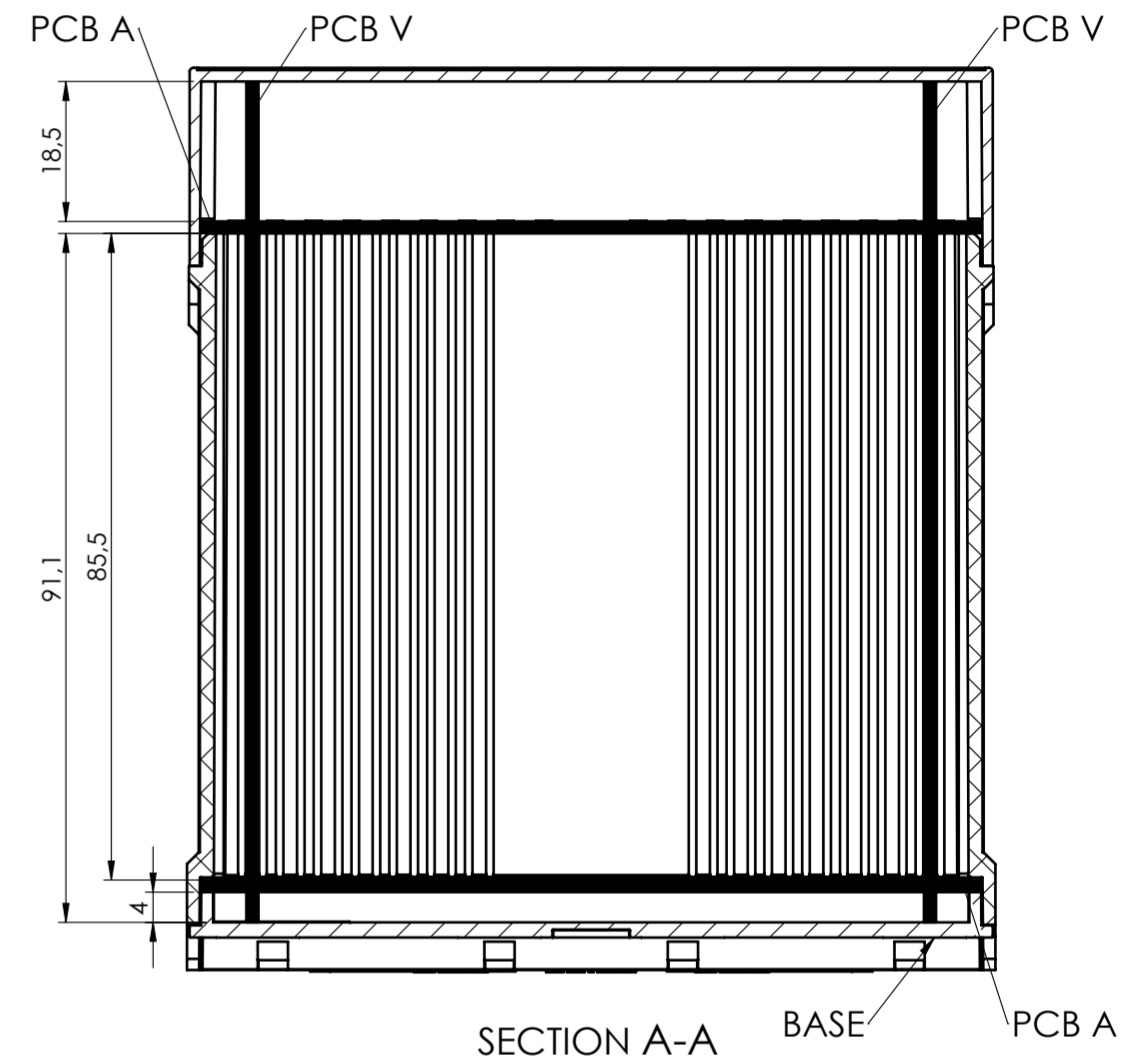
DETAIL D
SCALE 2 : 1



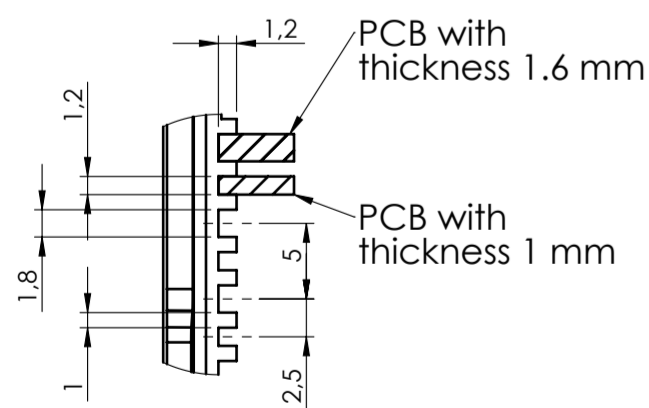
SECTION B-B



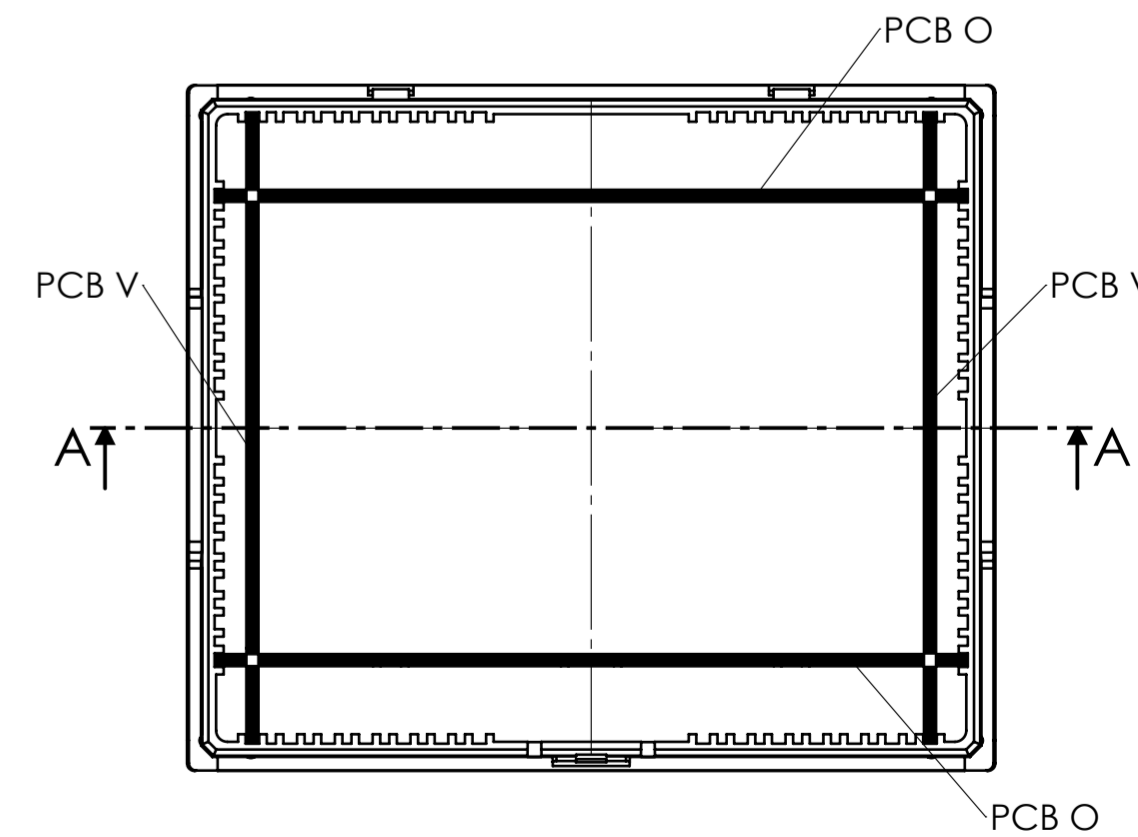
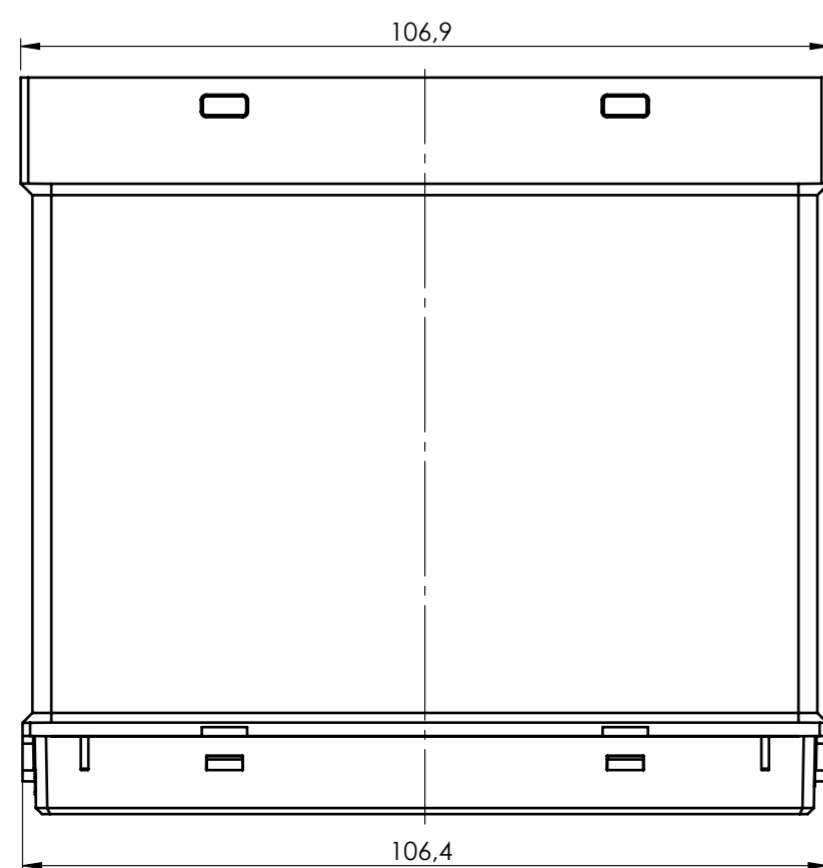
SECTION C-C



SECTION A-A



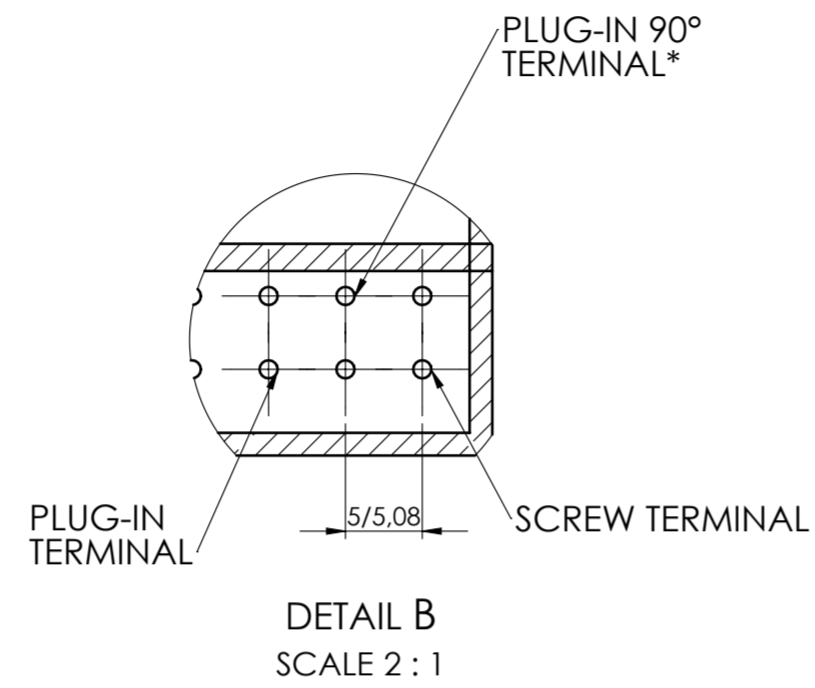
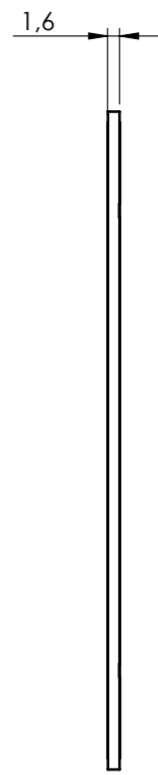
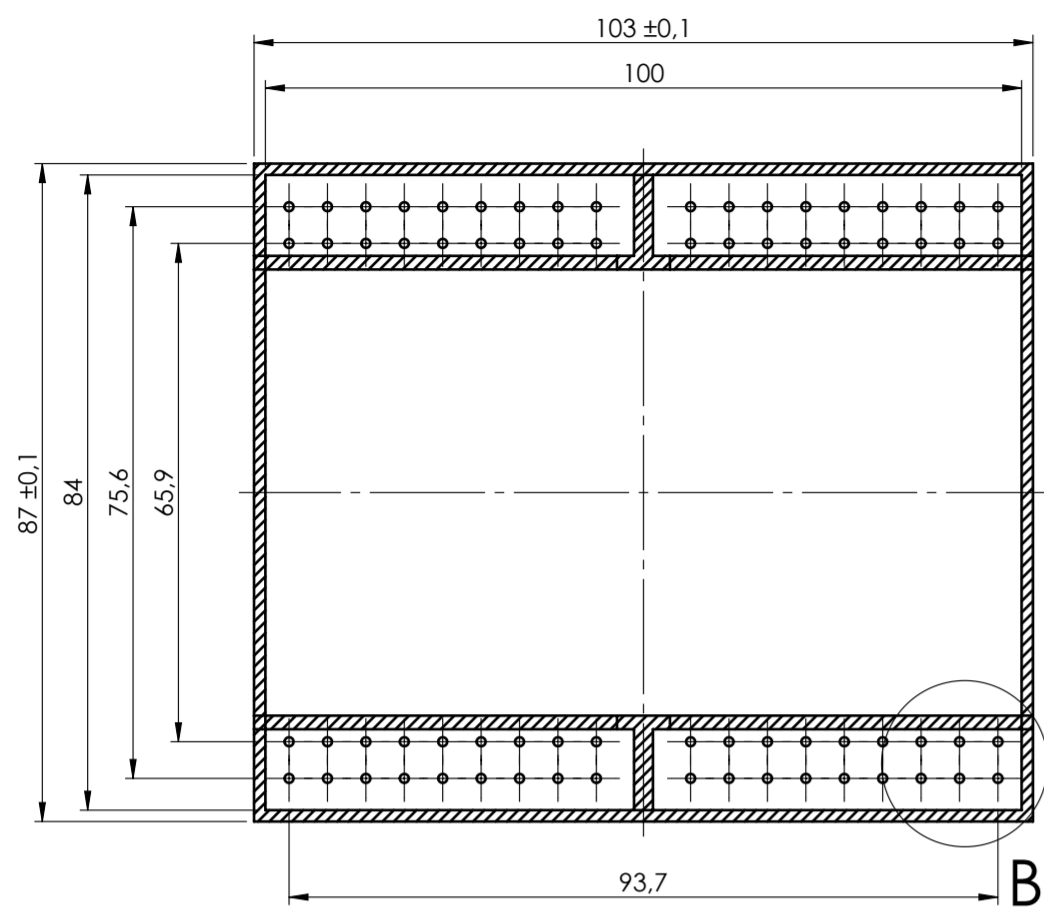
DETAIL E
SCALE 2 : 1



General Tolerance UNI EN 22768/1 Media (m)					Sheet:
from 0.5 to 3 ± 0.1	from 3 to 6 ± 0.1	from 6 to 30 ± 0.2	from 30 to 120 ± 0.3	from 120 to 400 ± 0.5	1
Scale: 1:1	Drawn:	Checked: R.N.	Date: 06/07/2023	Material: PC/ABS	Process: INJECTION
Derived from:				Weight: 102.57 gr	Cod. Mold: ST.3506100
Description: Distanziale Modulbox XTS - 6M Compact Spacer Modulbox XTS - 6M Compact				Rev.: 00 A2	
Drawing nr.: 2_250_00174				italtronic.com	

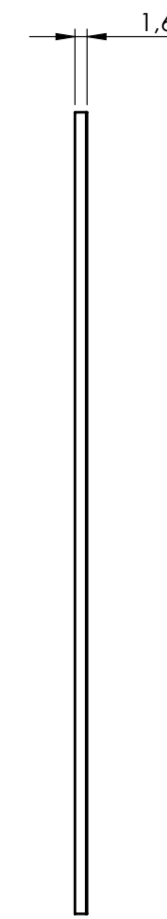
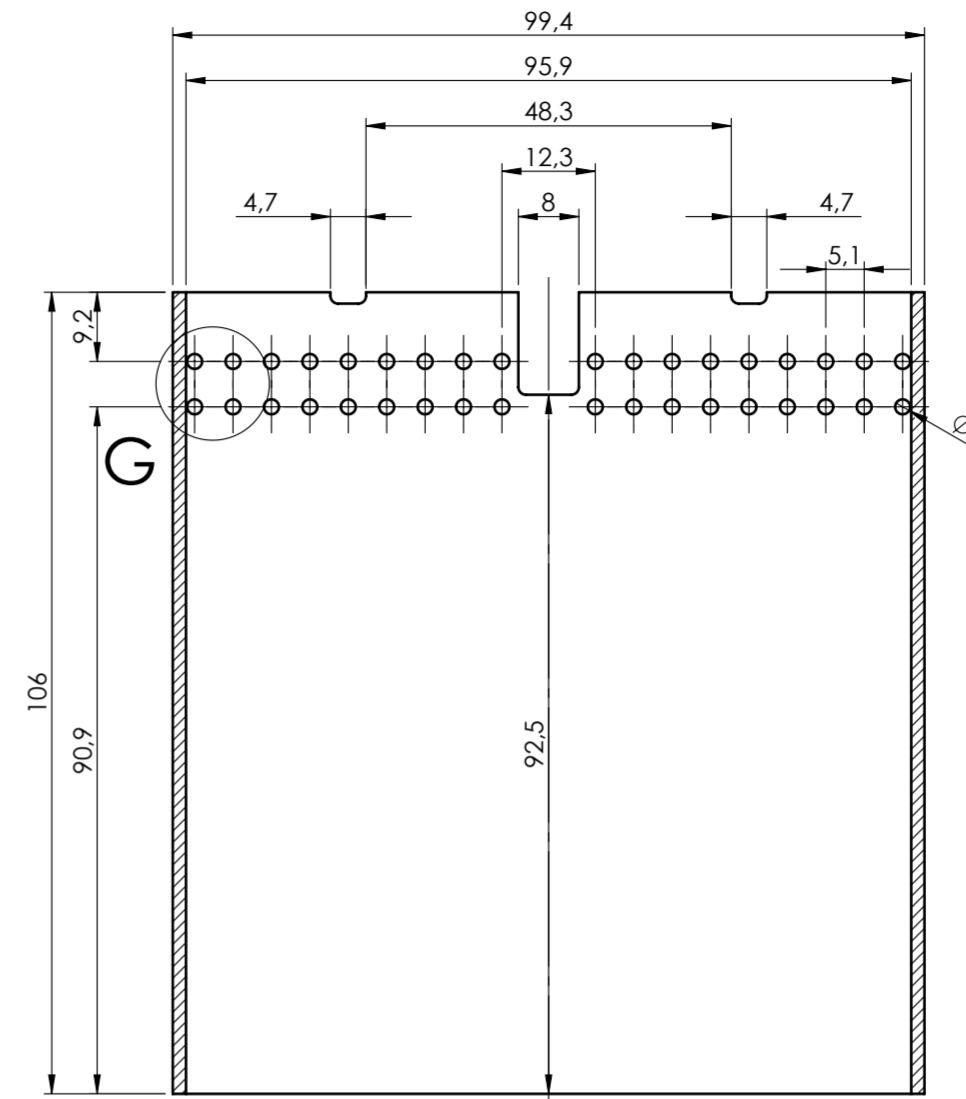
Max height of the terminal:
Modulbox XT/XTS: 18.5 mm

PCB A

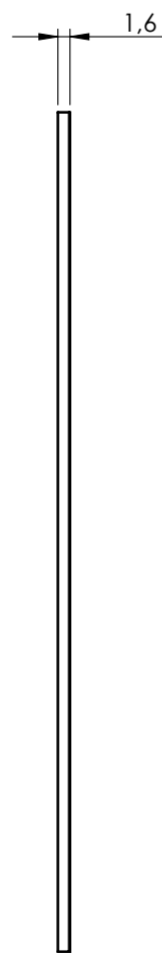
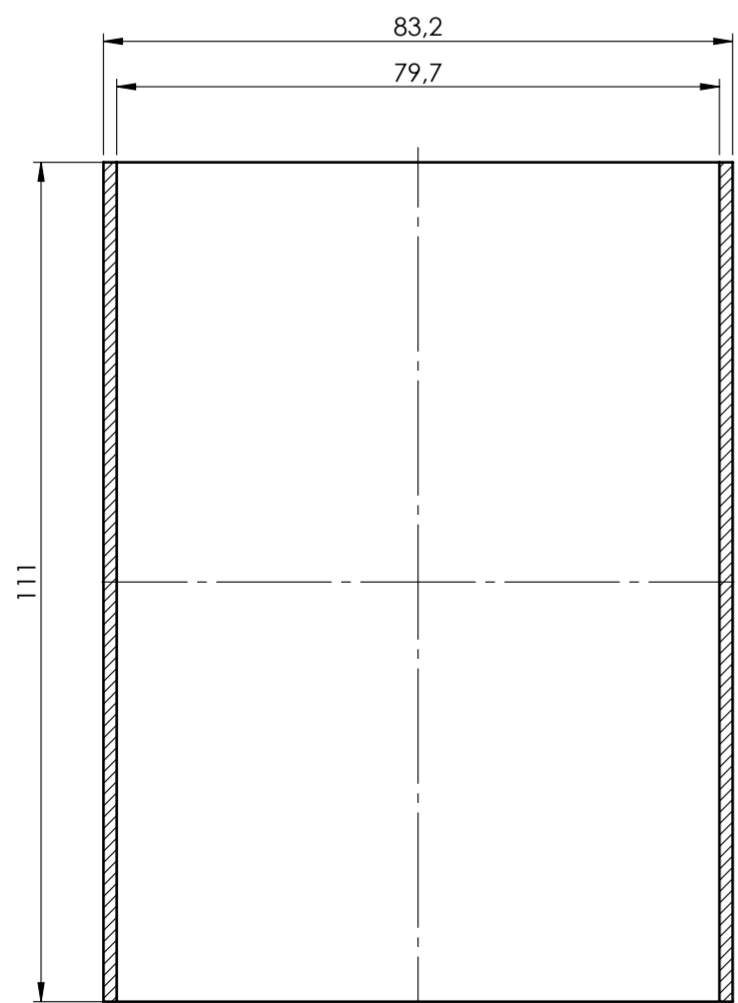


*To use the PLUG-IN terminals in Modulbox ONE use plug-in adapter P05000003E (5/5.08 pitch) and P05000004E (7.5/7.62 pitch)

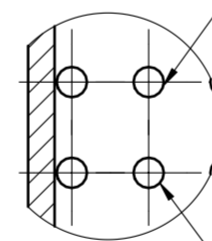
PCB O



PCB V

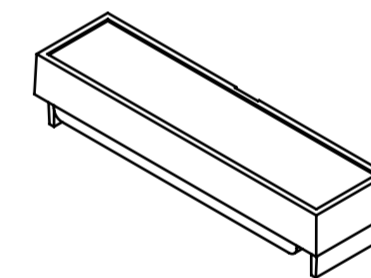
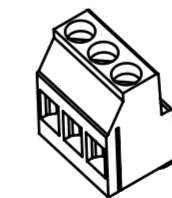
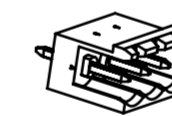


EUROCLAMP PVxx-5,08-V
PHOENIX CONTACT MSTBVA 2,5 HC/ 3-G
SAURO CIM0x0A5

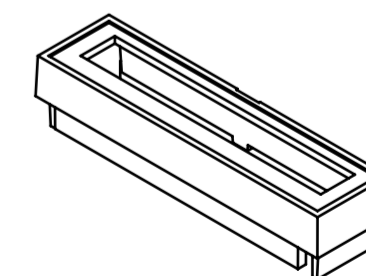


DETAIL G
SCALE 2 : 1

EUROCLAMP MV25x-5,08-H
PHOENIX CONTACT MKDSF 3/ 3
SAURO MSM0x095



Use terminal cover recommended
P05030213T.BL



Use terminal cover recommended
P05030210T.BL

General Tolerance UNI EN 22768/1 Media (m)					Sheet:
from 0.5 to 3 ± 0.1	from 3 to 6 ± 0.1	from 6 to 30 ± 0.2	from 30 to 120 ± 0.3	from 120 to 400 ± 0.5	PCB
Scale: 1:1	Drawn:	Checked: R.N.	Date: 06/07/2023	Material: PC/ABS	Process: INJECTION
Dimension in mm		Derived from: --	Weight: 102.57 gr	Cod. Mold: ST.3506100	
 enclosures for electronics italtronic.com		Description: DISTANZIALE MODULBOX XTS - 6M COMPACT SPACER MODULBOX XTS - 6M COMPACT Drawing nr.: 2_250_00174		Rev.: 00 A2	

NO COMPONENTS AREA