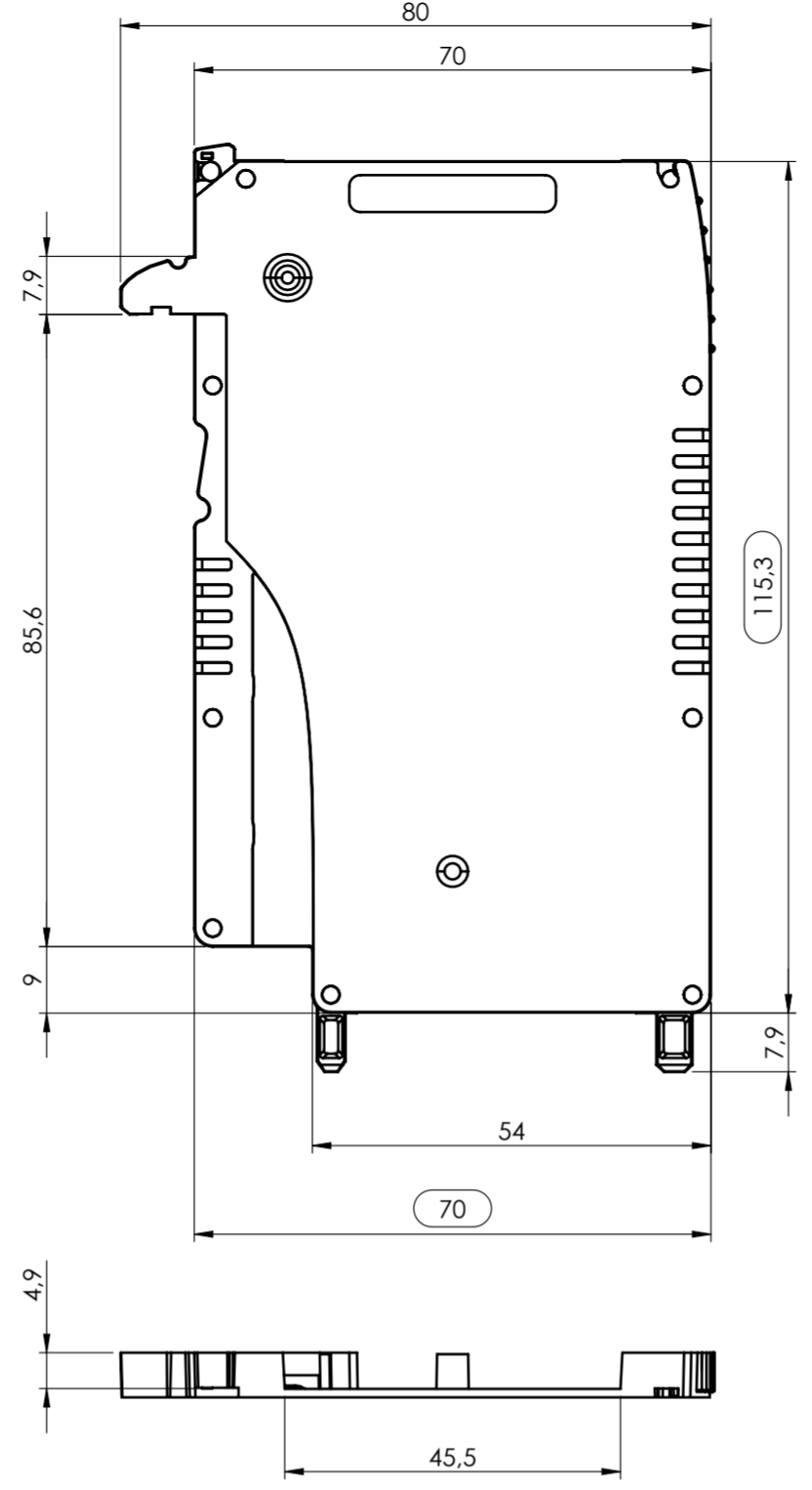
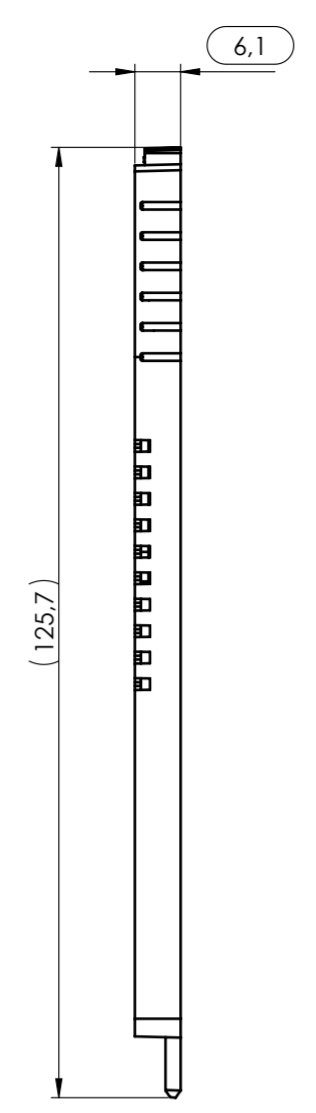
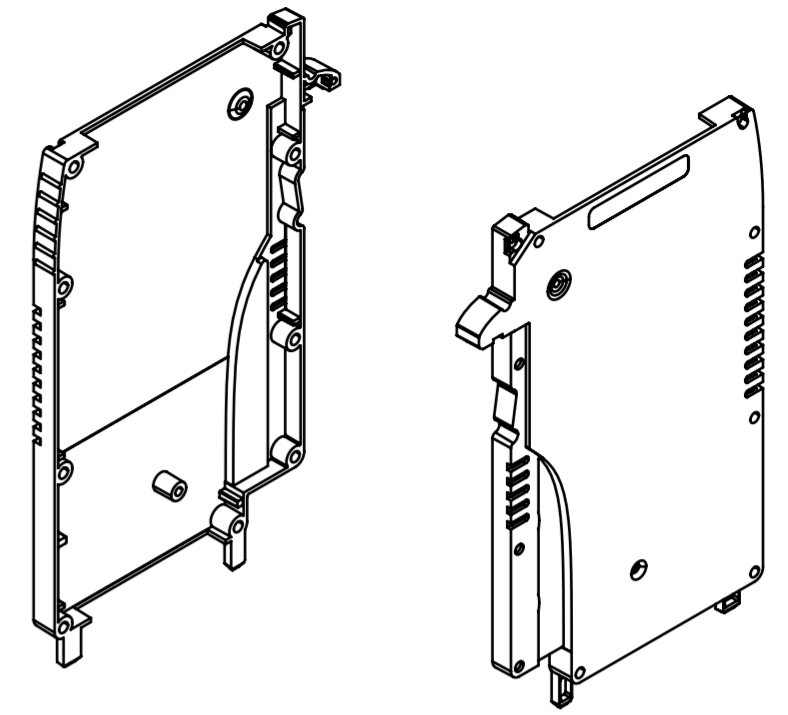


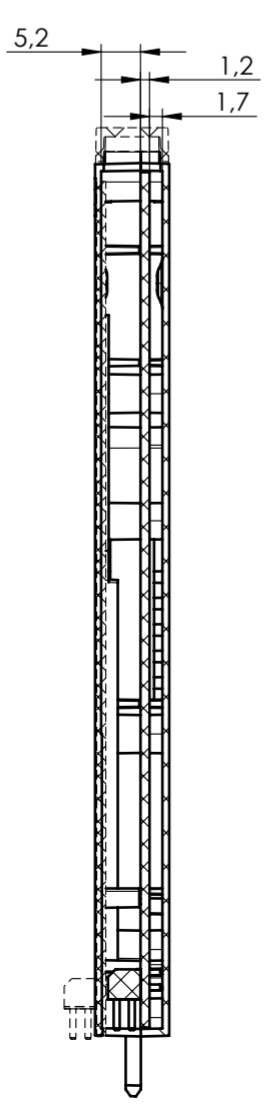
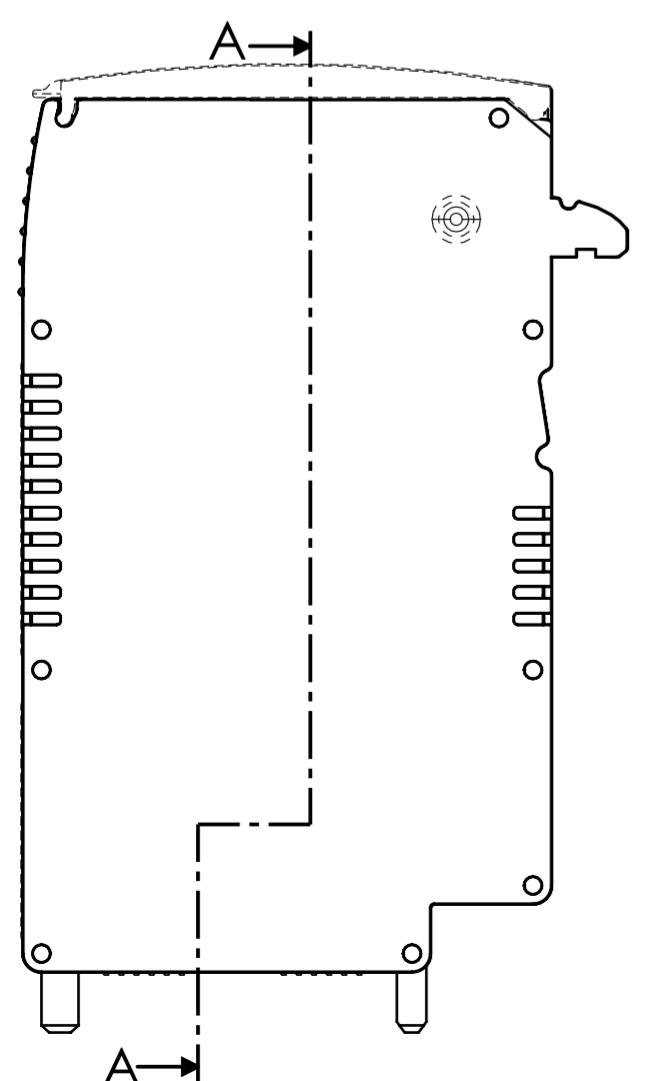
SECTION C-C



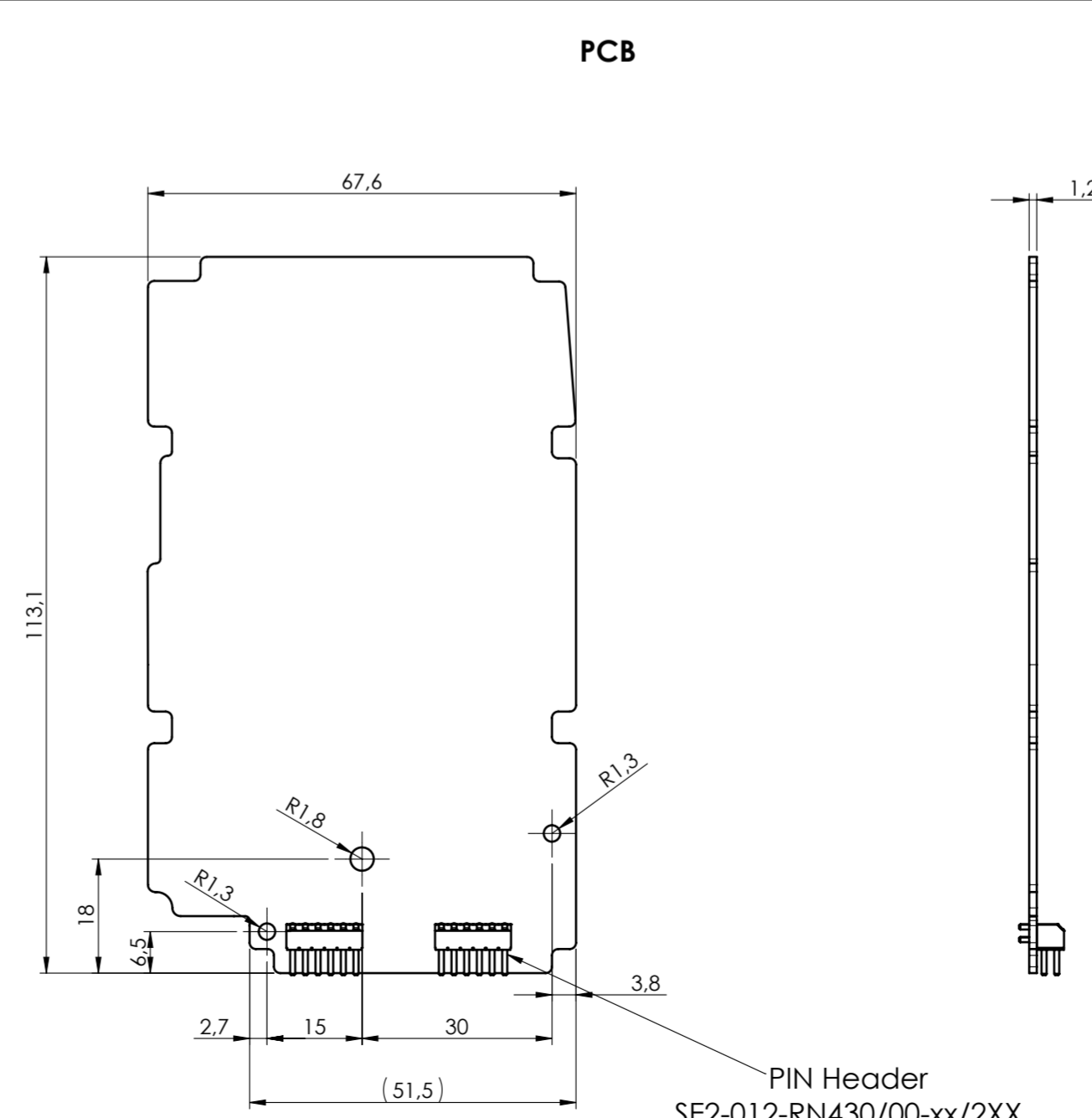
PCB



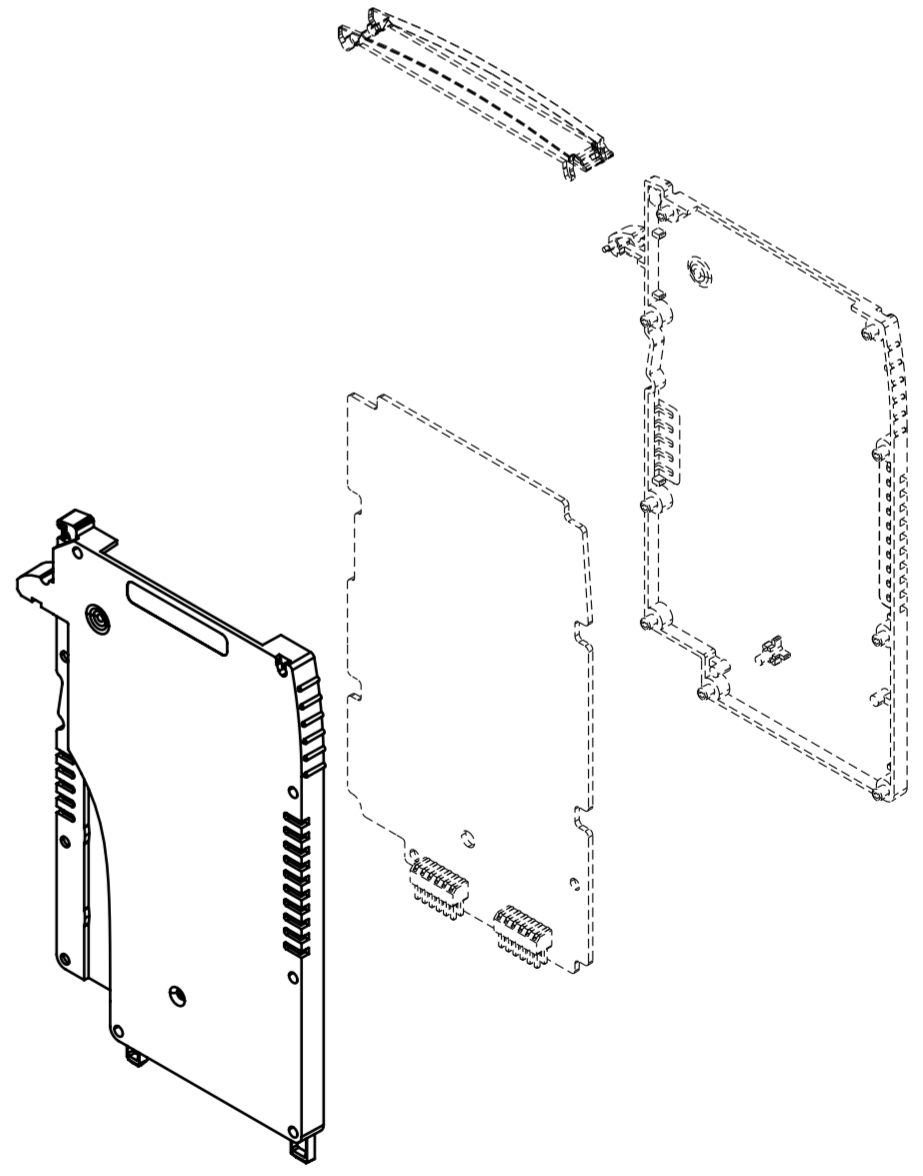
KIT ASSEMBLY



SECTION A-A



PIN Header
SE2-012-RN430/00-xx/2XX
www.e-tec.asia



General Tolerance UNI EN 22768/1 Media (m)					Sheet:
from 0.5 to 3 ± 0.1	from 3 to 6 ± 0.1	from 6 to 30 ± 0.2	from 30 to 120 ± 0.3	from 120 to 400 ± 0.5	1
Scale: IM:	Drawn: M.S.	Checked: R.N.	Date: 20/12/2023	Material: PA66	Process: INJECTION
1:1	00				
Dimension in mm		Replaces the:	Derived from:	Weight: 10.26 gr	Cod. Mold: ST.17011006
		Description: COPERCHIO LATUSBOX 9.8MM APERTO COVER LATUSBOX 9.8 MM		Rev.: 00	A2
itatronic.com		Drawing nr.: 2_260_00031			