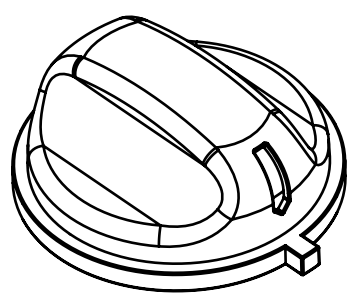
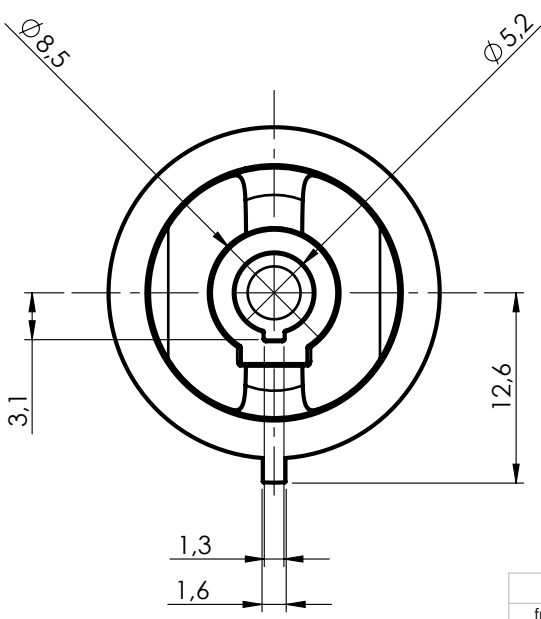
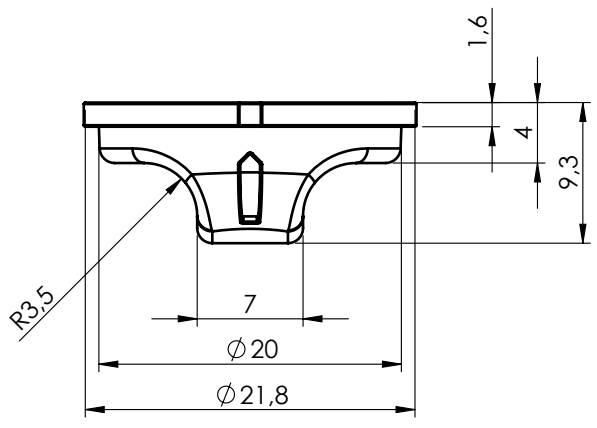


SECTION A-A



General Tolerance UNI EN 22768/1 Media (m)					Sheet:		
from 0.5 to 3 ± 0.1	from 3 to 6 ± 0.1	from 6 to 30 ± 0.2	from 30 to 120 ± 0.3	from 120 to 400 ± 0.5	1		
Scale: 2:1	Drawn: R.N.	Checked: R.N.	Date: 31/03/2023	Material: ABS	Process: INJECTION		
Dimension in mm 				Derived from: --	Weight: 1.30 gr	Cod. Mold: ST.6123500	
 italtronic enclosures for electronics italtronic.com		Description: MANOPOLA ITOUCH D20 HIGH PROFILE CON LEVETTA IN RILIEVO ITOUCH D20 HIGH PROFILE KNOB WITH EMBOSSED LEVER Drawing nr.: 2_010_00065				Rev.: 00	A4