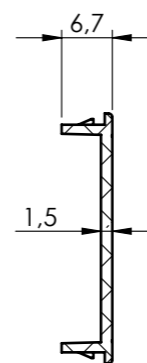
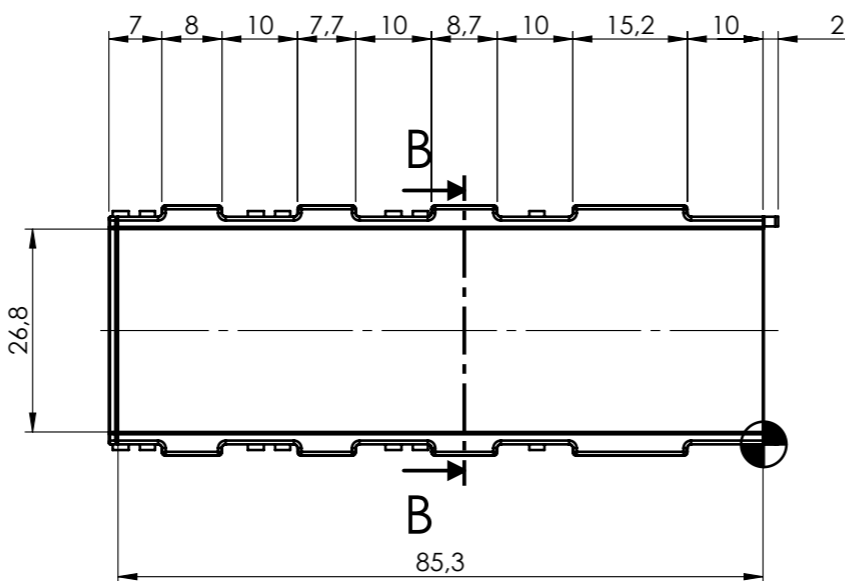
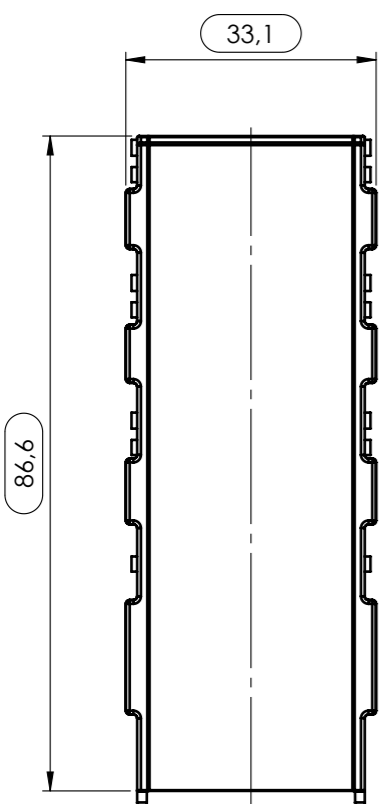
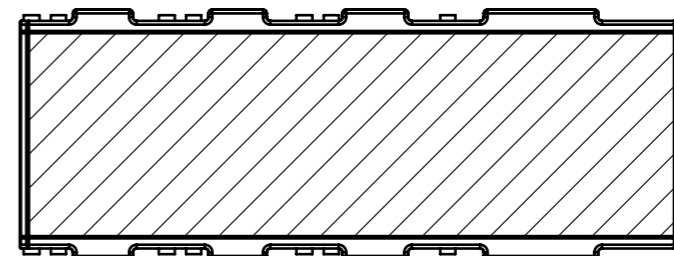
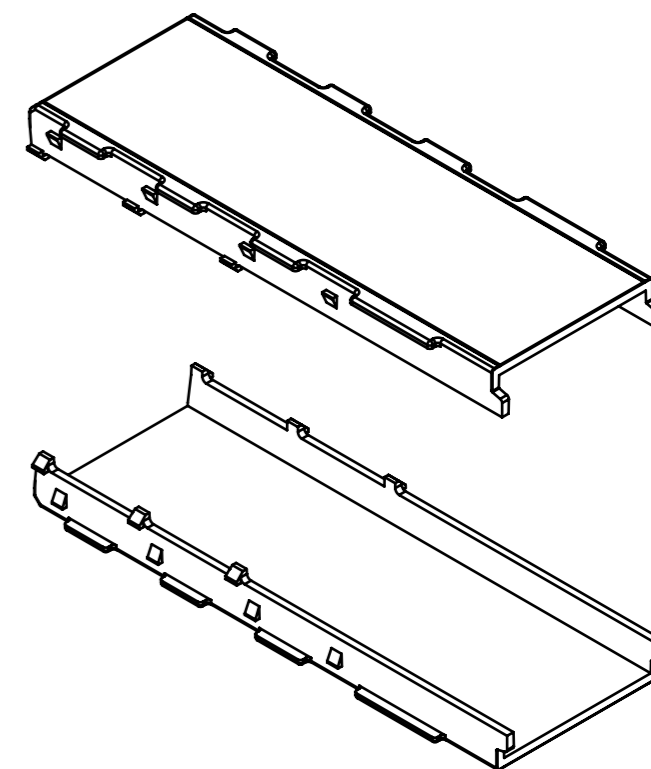


DETAIL A  
SCALE 2 : 1



SECTION B-B



General information:

- Workpiece zero point for mechanical processing
- Minimum recommended radius for machining = R1.0 mm

| General Tolerance UNI EN 22768/1 Media (m)                        |   |                       |                         |                          | Sheet:   |
|---|---|-----------------------|-------------------------|--------------------------|--|
| from 0.5 to 3<br>± 0.1  | from 3 to 6<br>± 0.1  | from 6 to 30<br>± 0.2 | from 30 to 120<br>± 0.3 | from 120 to 400<br>± 0.5 | 1  |
| Scale:<br>1:1   | Drawed:<br>M.S.   | Checked:<br>R.N.      | Date:<br>04/09/2023     | Material:<br>PC/ABS      | Process:<br>INJECTION  |
| Dimension in mm   | The present drawing cannot be reproduced or communicated to 3rd parties, even partially, without the authorization of ITALTRONIC S.p.A. Italtronic reserves to protect its own rights according to the law. |                       |                         | Weight:<br>6.23 gr       | Cod. Mold:<br>ST.1011110   |
| <b>italtronic</b><br>enclosures for electronics<br>italtronic.com |   |                       |                         |                          | Description:<br>COPRIFESSURA CHIUSO VER. 35 MM MULTILEVEL<br>MULTILEVEL HOLE COVER CLOSED FOR 35 MM ENCLOSURE<br>Drawing nr.:<br><b>2_110_00083</b><br>Rev.:<br>- A3 |