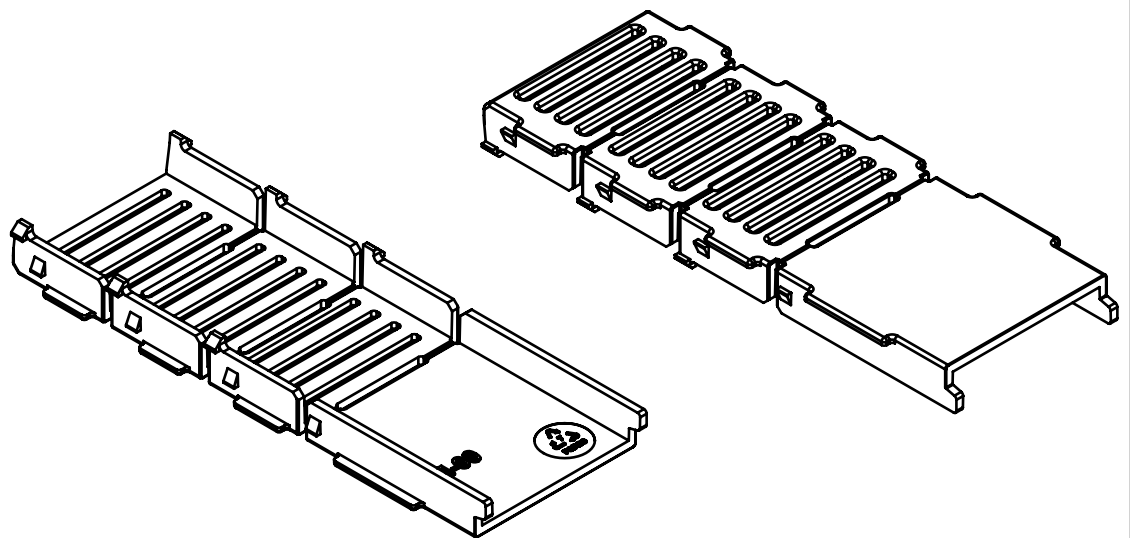
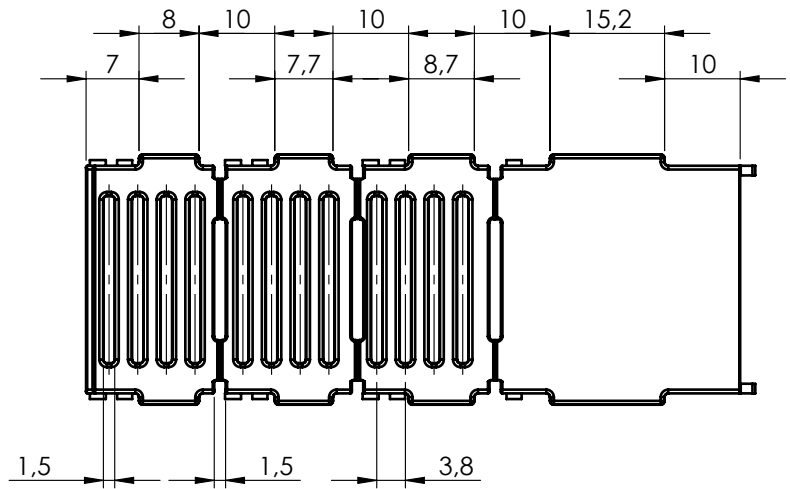


DETAIL A  
SCALE 10 : 1



General Tolerance UNI EN 22768/1 Media (m)					Sheet:	
from 0.5 to 3 ± 0.1	from 3 to 6 ± 0.1	from 6 to 30 ± 0.2	from 30 to 120 ± 0.3	from 120 to 400 ± 0.5	1	
Scale: 1:1	Drawed: M.S.	Checked: R.N.	Date: 01/09/2023	Material: PC/ABS	Process: INJECTION	
Dimension in mm 	Derived from: --			Weight: 5.21 gr	Cod. Mold: --	
 <b>italtronic</b> enclosures for electronics italtronic.com		Description: COPRIFFESSURA FRATTURABILE VERSIONE 35MM ORIZZONTALE M MULTILEVEL HORIZONTAL HOLE COVER BREAKBLE FOR 35MM E			Drawing nr.: <b>2_110_00075</b>	Rev.: - A4