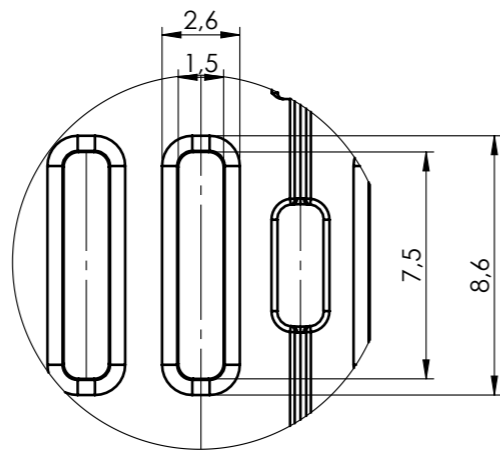
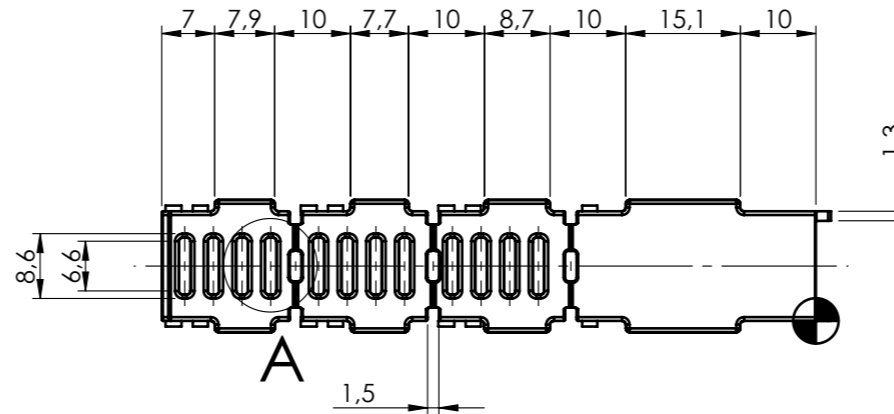
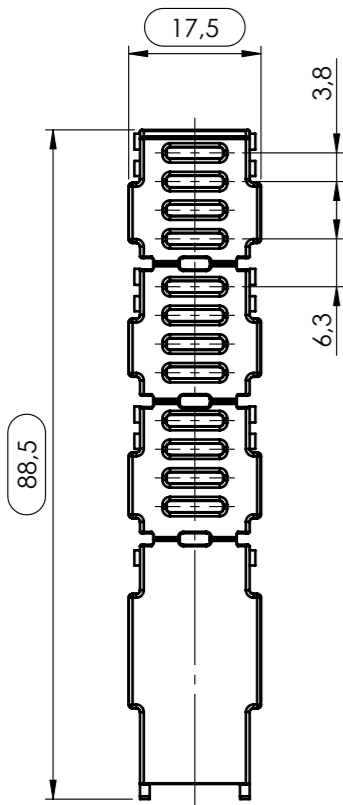
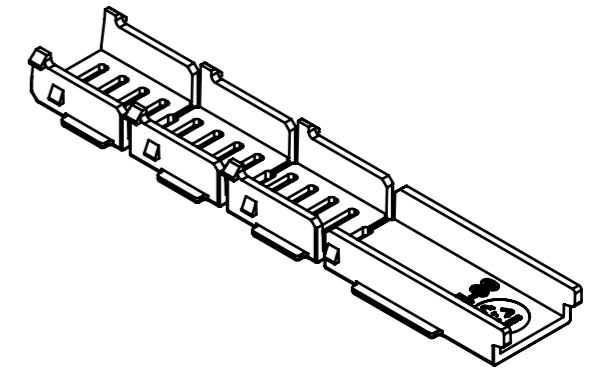
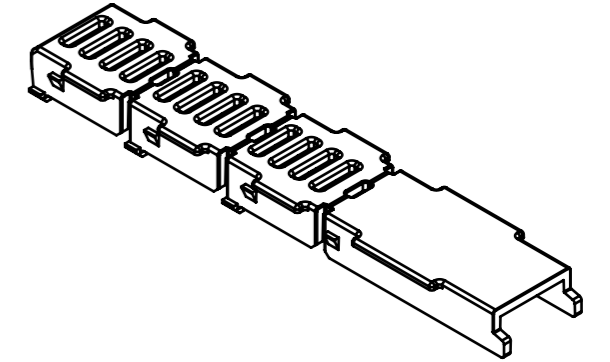





DETAIL B
SCALE 2 : 1



DETAIL A
SCALE 4 : 1



General information:
 -  Workpiece zero point for mechanical processing
 - Minimum recommended radius for machining = R1.0 mm

General Tolerance UNI EN 22768/1 Media (m)					Sheet:
from 0.5 to 3 ± 0.1	from 3 to 6 ± 0.1	from 6 to 30 ± 0.2	from 30 to 120 ± 0.3	from 120 to 400 ± 0.5	1
Scale: 1:1	Drawed: M.S.	Checked: R.N.	Date: 31/08/2023	Material: PC/ABS	Process: INJECTION
 Dimension in mm	Replaces the: R-02701-04		Derived from: --	Weight: 3.41 gr	Cod. Mold: ST.1011900
 enclosures for electronics italtronic.com					Description: COPRIFESSURA FRATTURABILE VERSIONE 17,5MM ORIZZ. MULTILEVEL MULTILEVEL HORIZONTAL HOLE COVER BREAKBLE FOR 17,5M ENCLOSURE Drawing nr.: 2_110_00069 Rev.: 00
					A3