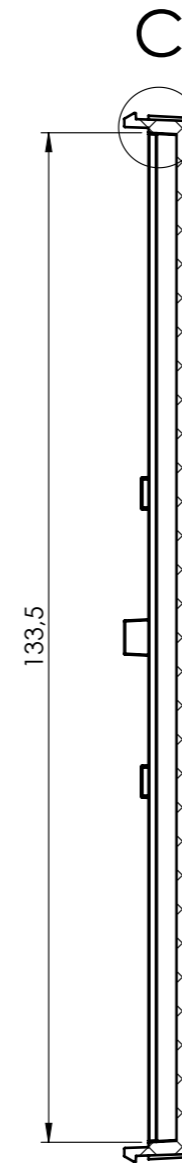
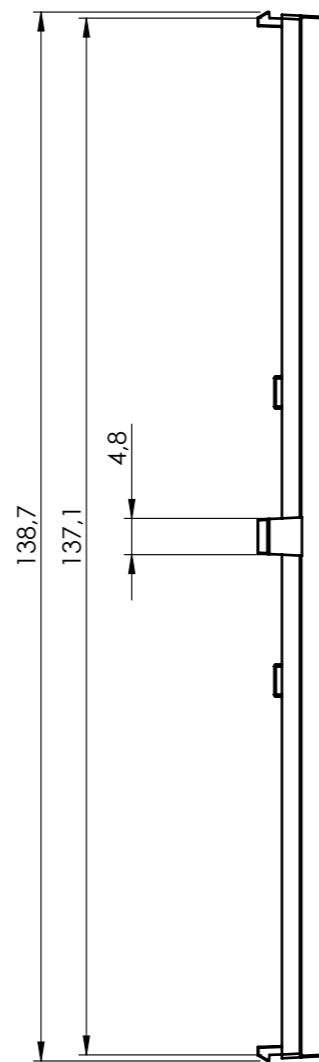
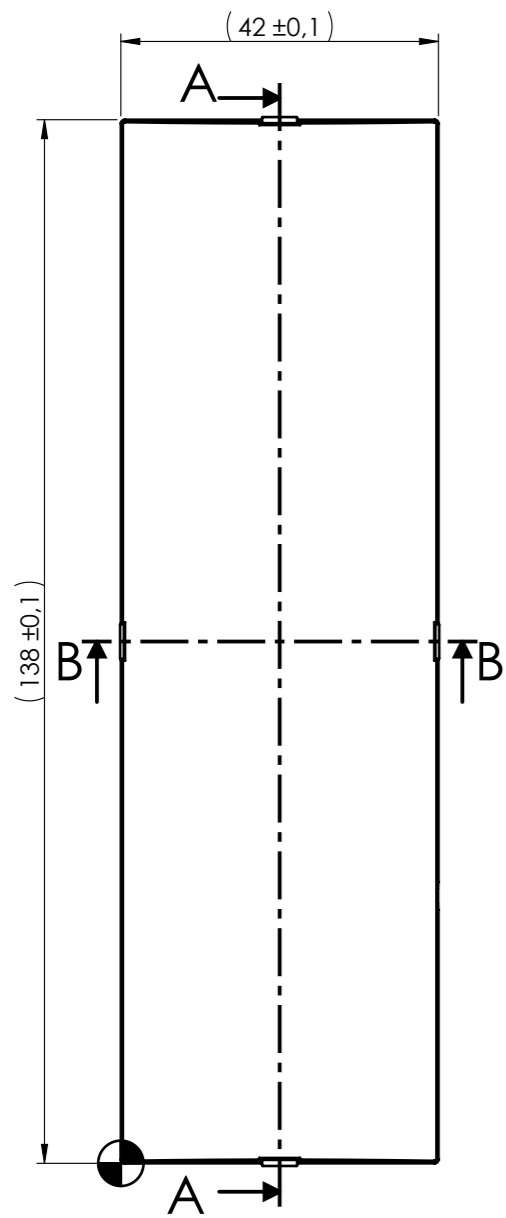
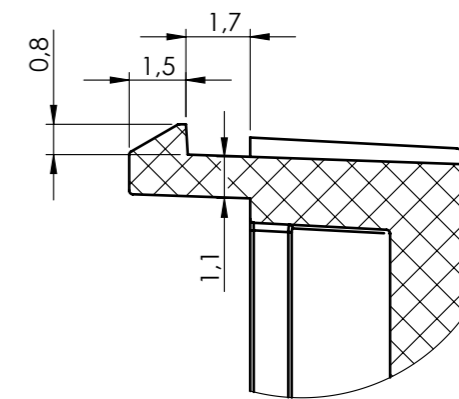


SECTION B-B



SECTION A-A



DETAIL C
SCALE 5 : 1

General information:
 - Workpiece zero point for mechanical processing
 - Minimum recommended radius for machining = R1.0 mm

General Tolerance UNI EN 22768/1 Media (m)					Sheet:
from 0.5 to 3 ± 0.1	from 3 to 6 ± 0.1	from 6 to 30 ± 0.2	from 30 to 120 ± 0.3	from 120 to 400 ± 0.5	1
Scale: 1:1	Drawn:	Checked: R.N.	Date: 07/06/2023	Material: PC/ABS-PC	Process: INJECTION
Dimension in mm	The present drawing cannot be reproduced or communicated to 3rd parties, even partially, without the authorization of ITALTRONIC S.p.A. Italtronic reserves to protect its own rights according to the law.			Weight: 15.22 gr	Cod. Mold: ST.0525000
italtronic enclosures for electronics italtronic.com		Description: PANNELLO CURVO MODULBOX 8M CURVED PANEL MODULBOX 8M			Rev.: 00
Drawing nr.: 2_250_03718				A3	