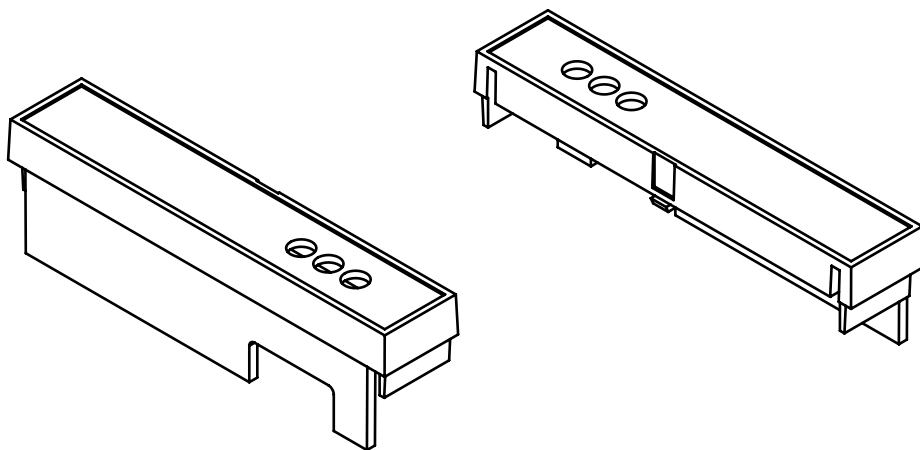


SECTION A-A



General Tolerance UNI EN 22768/1 Media (m)					Sheet:	
from 0.5 to 3 ± 0.1	from 3 to 6 ± 0.1	from 6 to 30 ± 0.2	from 30 to 120 ± 0.3	from 120 to 400 ± 0.5	1	
Scale: 1:1	Drawn: M.S.	Checked: R.N.	Date: 15/06/2023	Material: PC/ABS	Process: INJECTION	
Dimension in mm				Weight: 4.43 gr	Cod. Mold: ST.05CV000	
			Derived from: --		Description: COPRIMORSETTO SPECIALE 4M-CM066 3 VIE 4MP05 TERMINAL COVER MODULBOX 4M-CM066 3POLES	
			Drawing nr.: 2_250_03787		Rev.: 00 A4	
italtronic.com						

General information:
 - Workpiece zero point for mechanical processing
 - Minimum recommended radius for machining = R1.0 mm