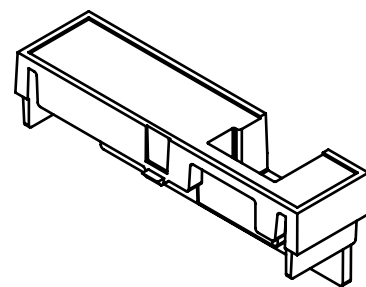
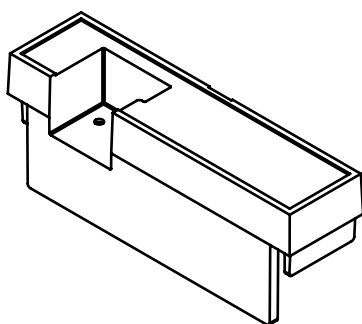


SECTION A-A



General information:

- Workpiece zero point for mechanical processing
- Minimum recommended radius for machining = R1.0 mm

General Tolerance UNI EN 22768/1 Media (m)					Sheet:	
from 0.5 to 3 $\pm 0.1$	from 3 to 6 $\pm 0.1$	from 6 to 30 $\pm 0.2$	from 30 to 120 $\pm 0.3$	from 120 to 400 $\pm 0.5$	1	
Scale: 1:1	Drawn: M.S.	Checked: R.N.	Date: 16/06/2023	Material: PC/ABS	Process: INJECTION	
Dimension in mm				Derived from:	Weight: 3.58 gr	Cod. Mold: ST.05E0100
 enclosures for electronics italtronic.com			Description: COPRIMORSETTO 3M EIB X1 TERMINAL COVER 3M-EIB X 1 EIB BUS CONNECTOR			
Drawing nr.: <b>2_250_03800</b>					Rev.: 00	A4