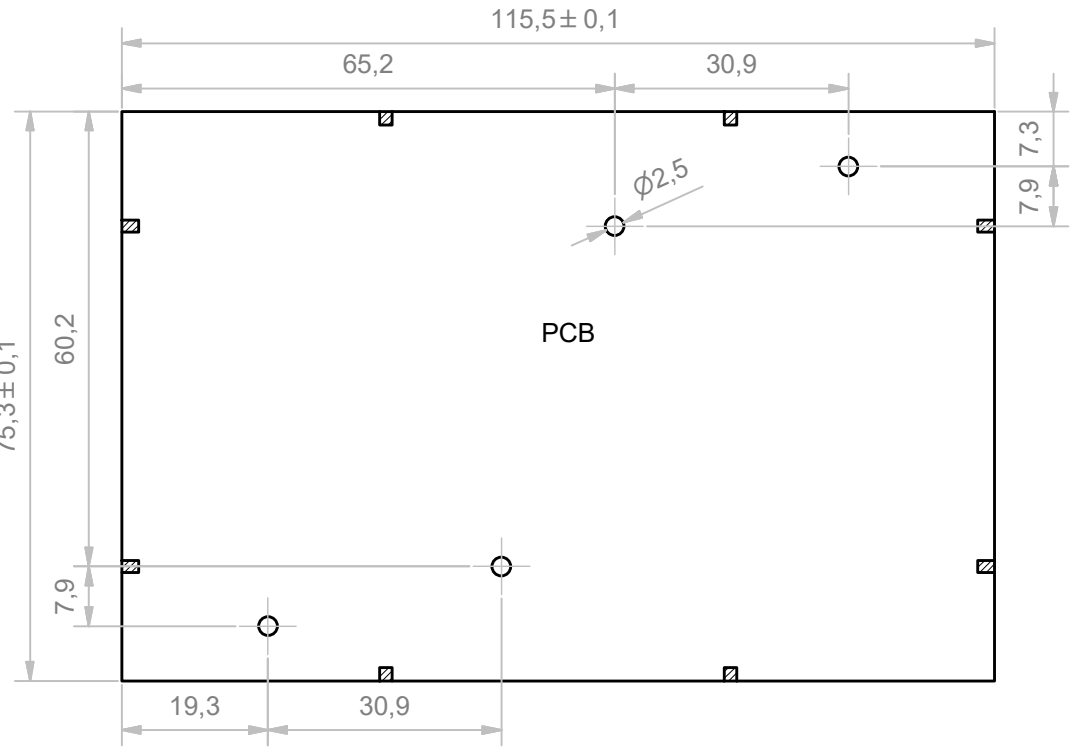
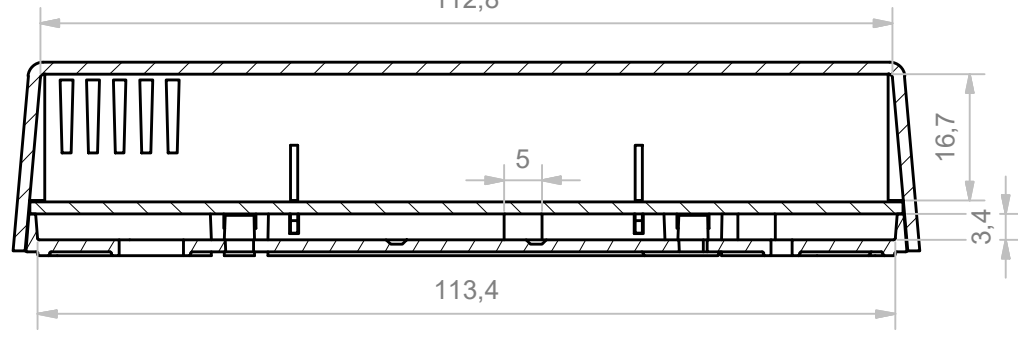
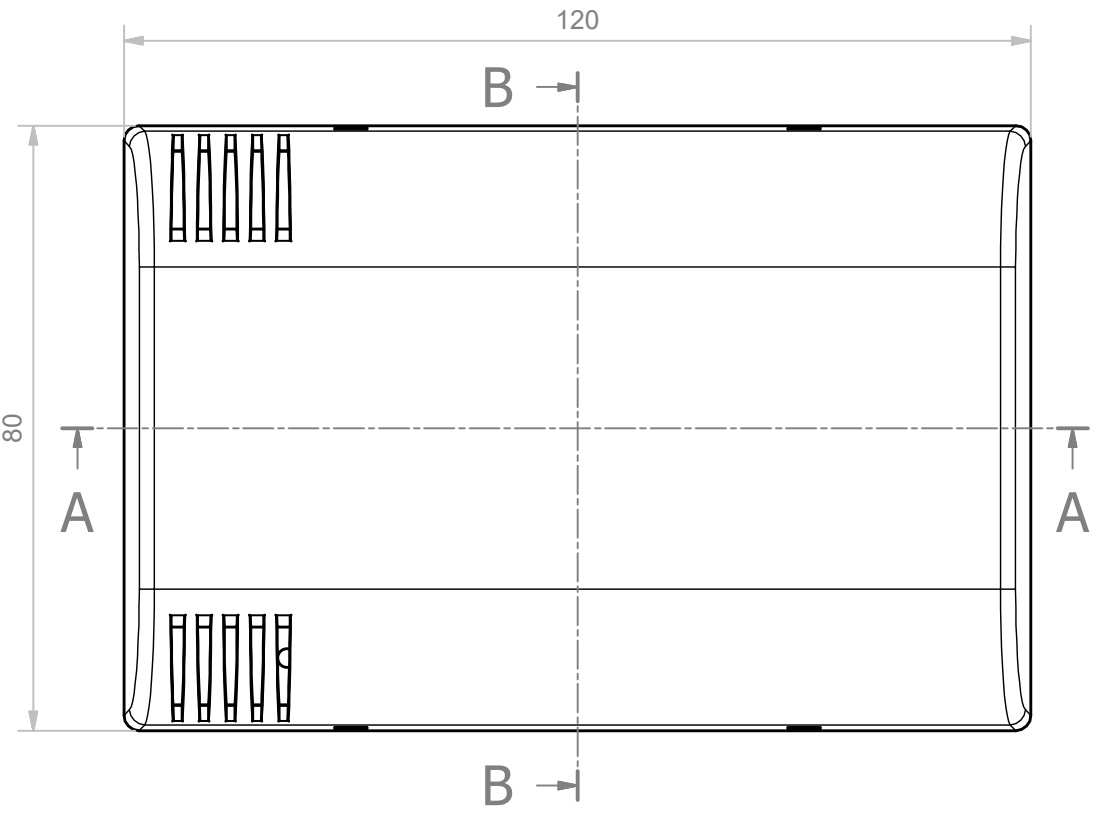
 ZONE NO COMPONENTS

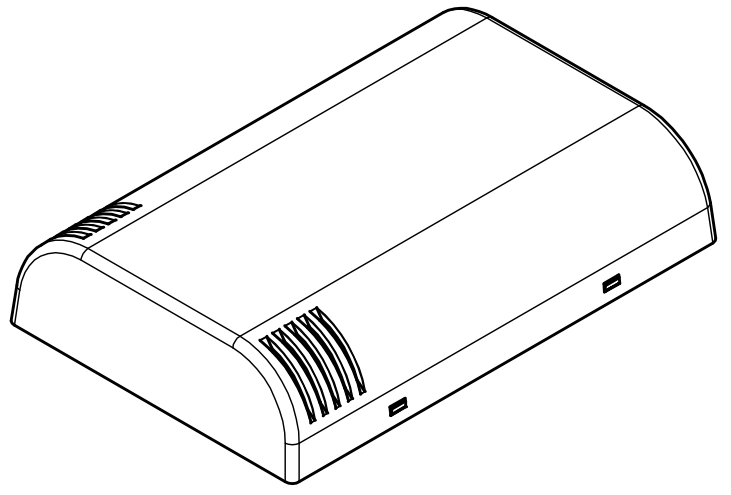
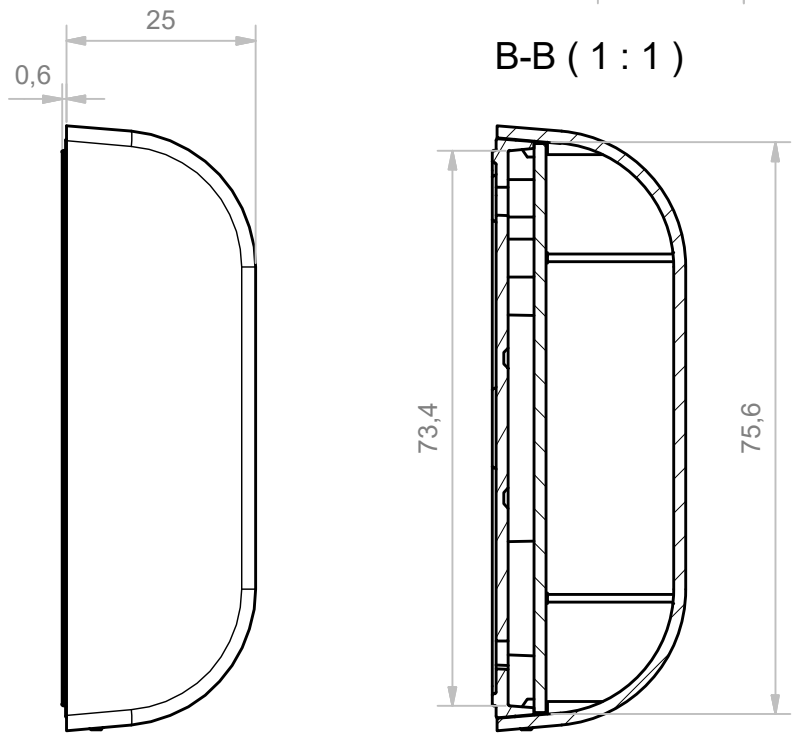
A-A (1:1)







B



B-B (1:1)



RESERVED PROPERTY: The present drawing cannot be reproduced or communicated to 3d parties, even partially, without the authorization of ITALTRONIC Srl. Italtronic reserves to protect its own rights according to the law.				5	4	3	2	1
GENERAL TOLERANCE	<b>UNI EN 22768/1 Media (m)</b>	DRAWN BY	Drawn:	Checked:	Revision description			
SHEET NR.	Dimension in mm	 Manual modification are not allowed	<b>Rigato N.</b>	<b>Dalla Montà D.</b>	Scale: 1 : 1			
1 / 1			Date: 18/02/2016	Replace nr.	Part number:			
		Denomination: ENCLOSURE TERMO SERIES 120 WITH VENTILATION AND BASE WITH SPACERS						
					Drawing nr. <b>T-06482-00</b>			