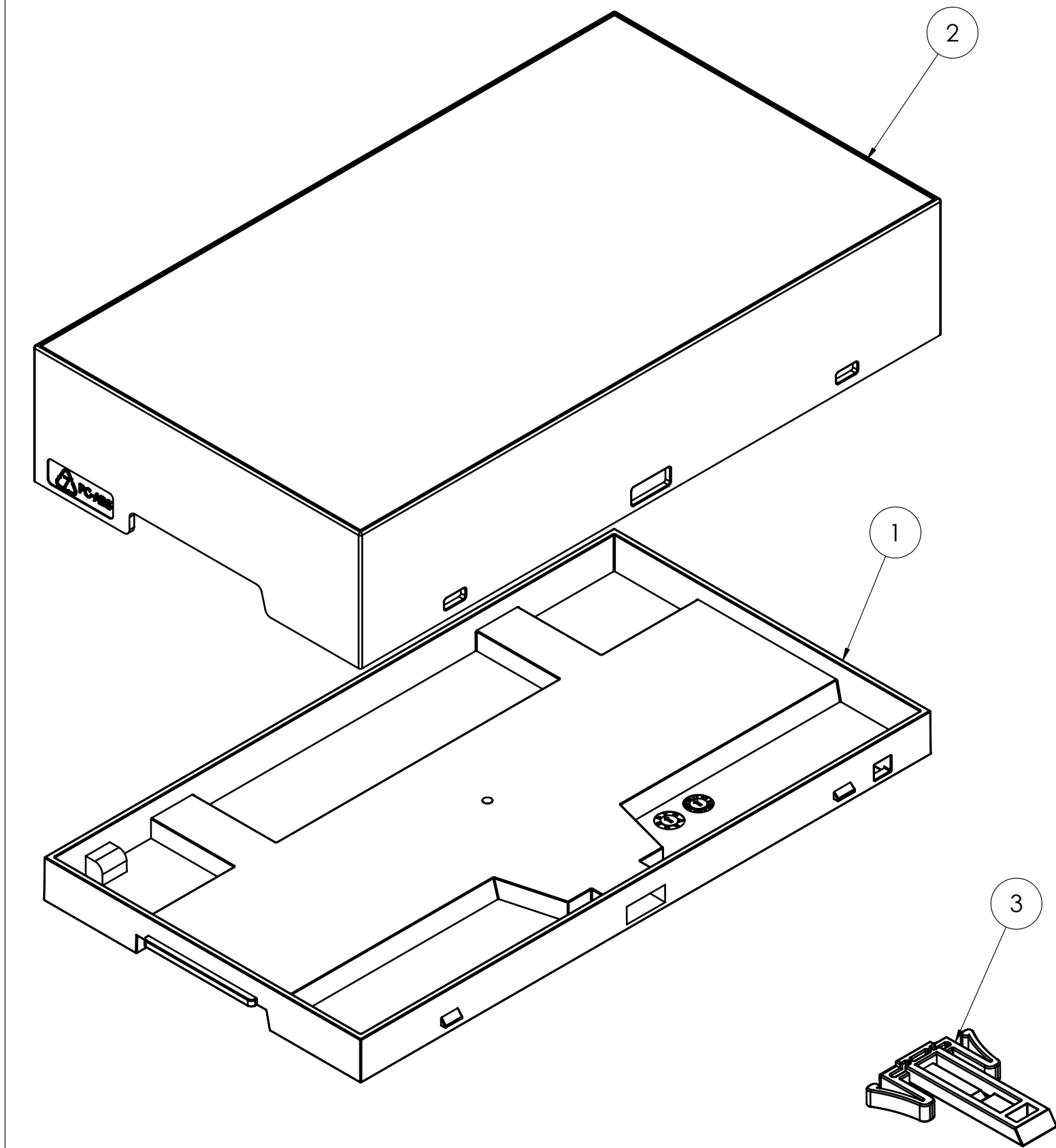
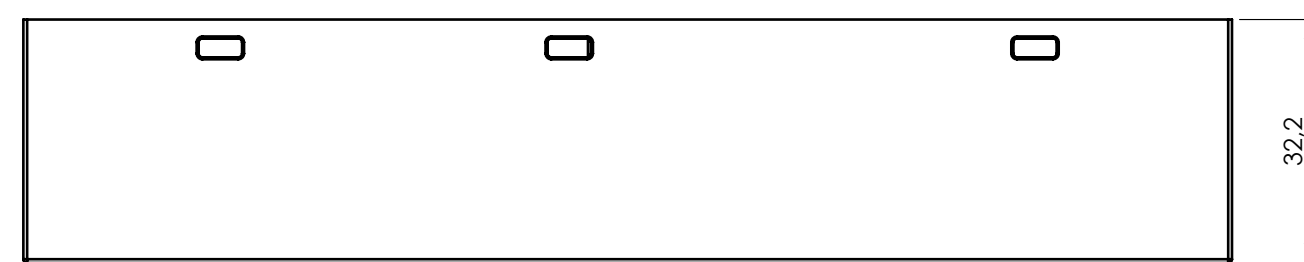
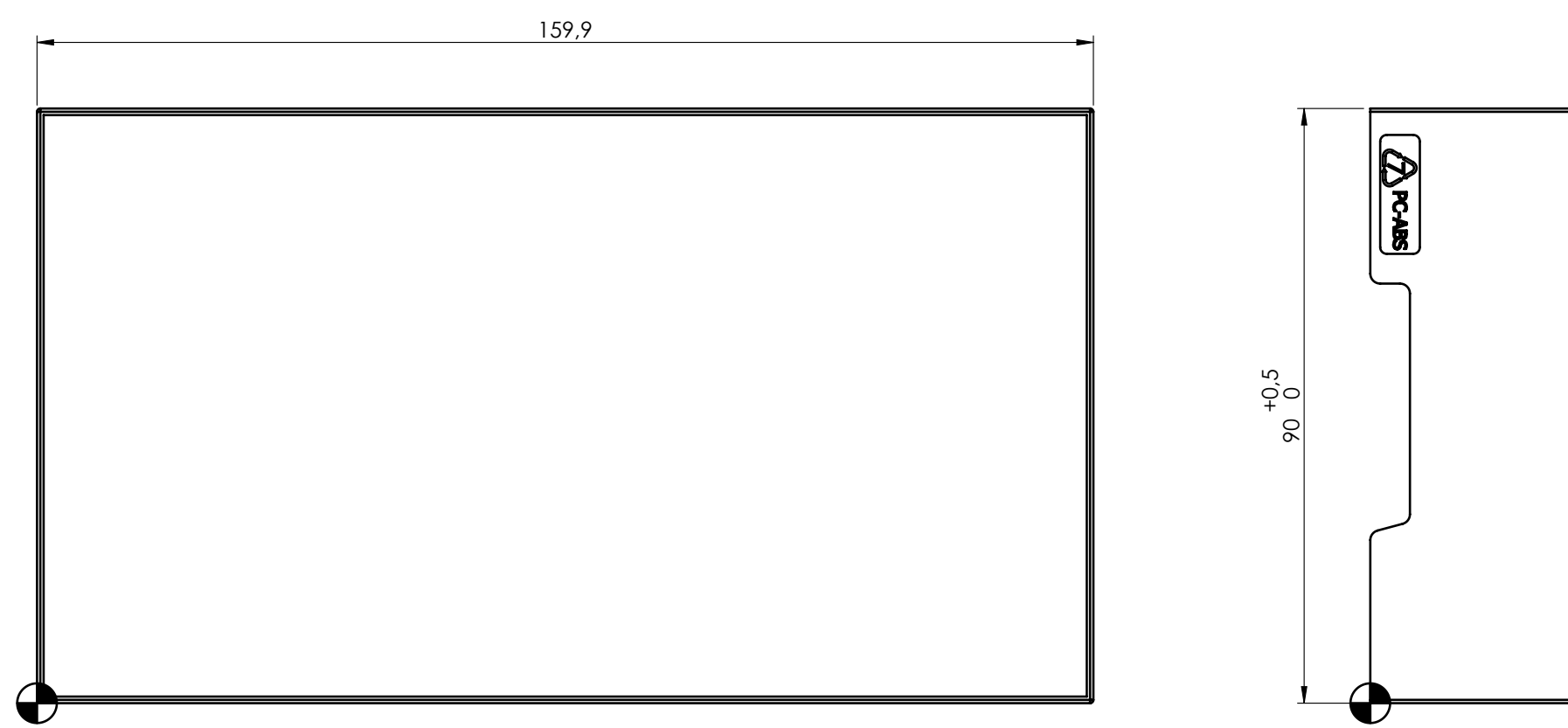
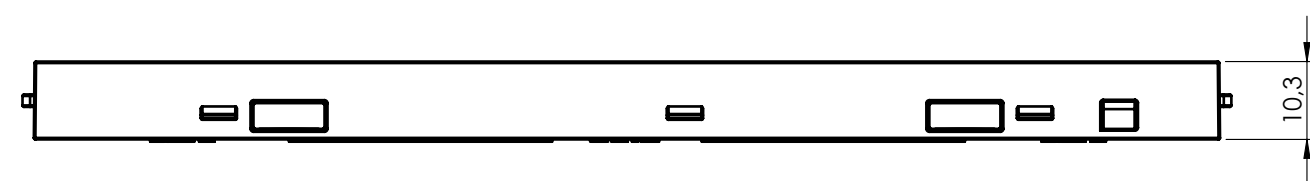
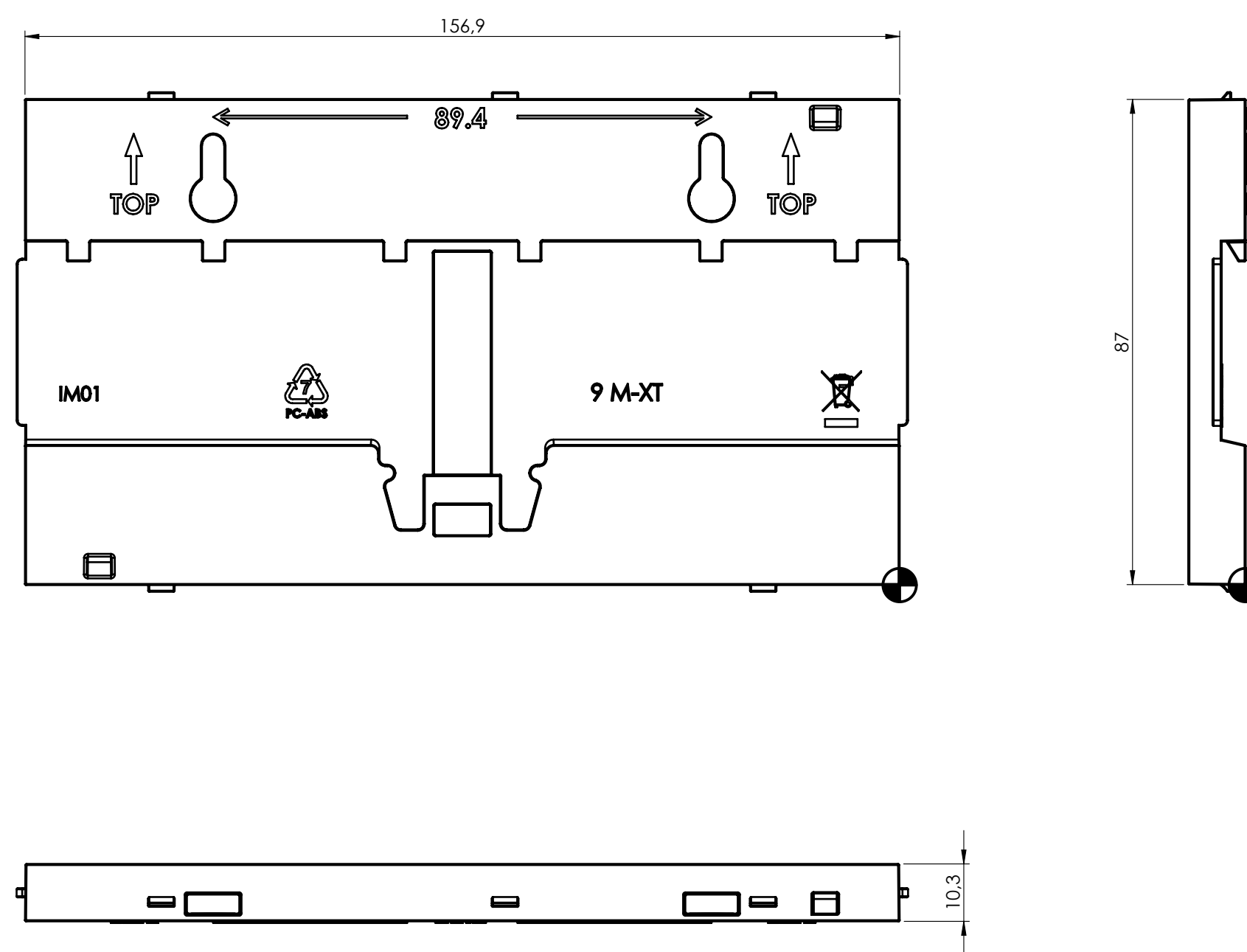


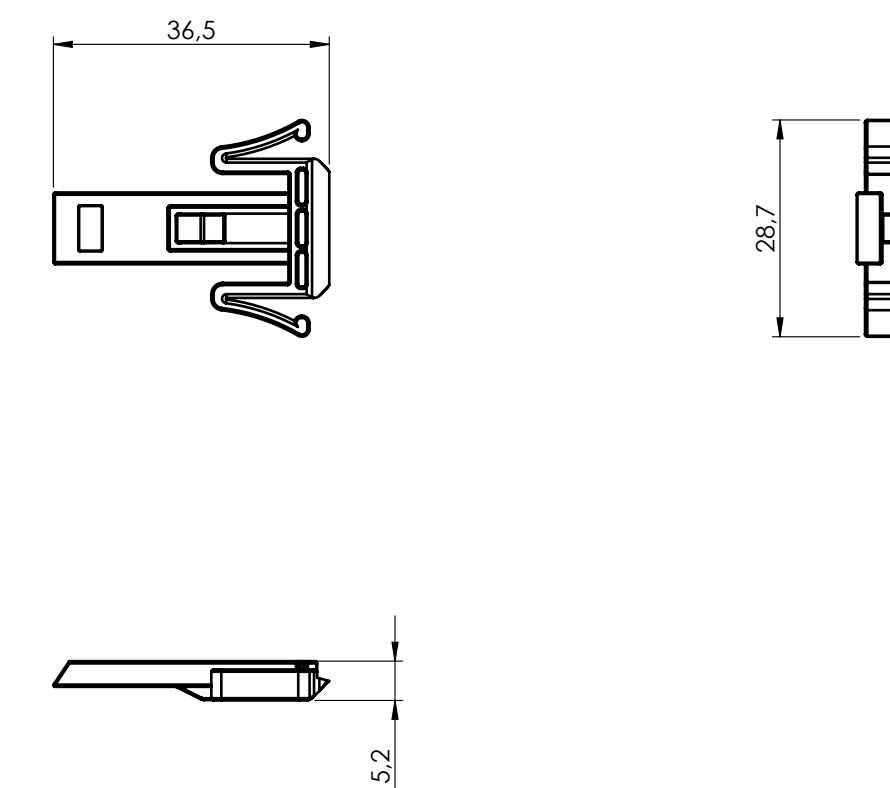
BODY ENCLOSURE



BASE



HOOK



General information:  
 ● Workpiece zero point for mechanical processing  
 - Minimum recommended radius for machining = R1.0 mm  
 - Mounting rail like EN 60715; TH 35-7.5 or TH 35-15  
 - Recommended PCB outline on [www.italtronic.com](http://www.italtronic.com)  
 - Medium thickness = 1.5 mm

REF.	Q.TY	DRAWING	DESCRIPTION
1	1	2_250_00086	BASE 9M MODULBOX XT-XTS
2	1	2_250_00019	BODY MODULBOX XTS 9MC33-C CLOSED COMPACT
3	1	2_250_00072	HOOK FOR MODULBOX XT-XTS

General Tolerances (UNE EN 22768/1 Media III)

from 0.5 to 3	from 3 to 6	from 6 to 30	from 30 to 120	from 120 to 400	Sheet:
±0.1	±0.1	±0.2	±0.3	±0.5	1

Scale: 1:1  
 IM: --  
 Drawn: M.S.  
 Checked: R.N.  
 Date: 14/03/2024  
 Material: --  
 Process: --  
 Replaces the: --  
 Derived from: M-05185-00  
 Weight: gr  
 Cod. Mod: --

Dimension in mm

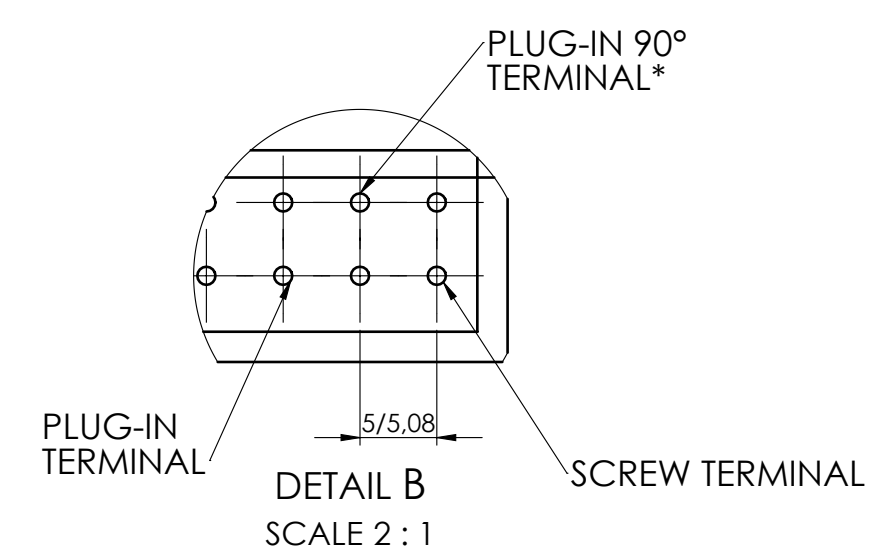
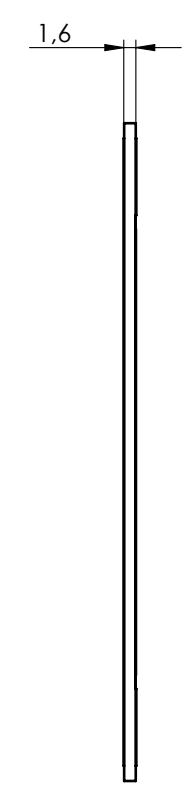
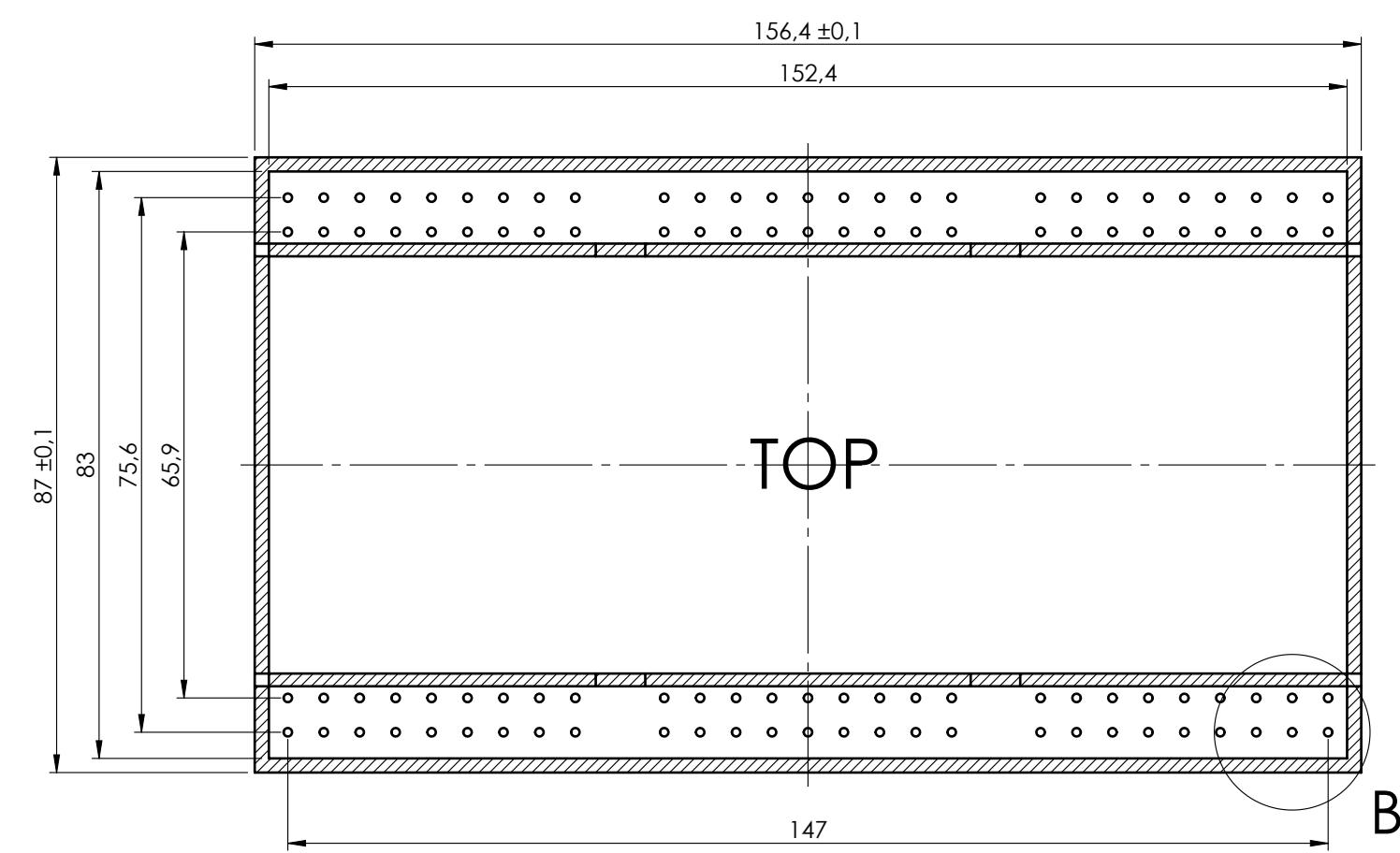
italtronic  
 enclosures for electronics  
[italtronic.com](http://italtronic.com)

Description:  
 KIT CONTENITORE MODULBOX XTS COMPACT 9MC33-C  
 KIT ENCLOSURE MODULBOX XTS COMPACT 9MC33-C

Drawing n°: **3\_250\_00019**  
 Rev.: 00 A1

PCB A

Max height of the terminal:  
Modulbox XT/XTS: 18.5 mm



General Tolerance IIR EN 22768/1 Media [m]					Sheet:
from 0.5 to 3	from 3 to 6	from 6 to 30	from 30 to 120	from 120 to 400	PCB
± 0.1	± 0.1	± 0.2	± 0.3	± 0.5	Process:
Scale:	1:1	1:1	1:1	1:1	Material:
Drawn:	M.S.	R.N.	14/03/2024	Weight:	Cod. Mold:
Checked:				gr	--
Replaces the:	M-05185-00				
Derived from:					
Description:					Rev.:
KIT CONTENITORE MODULBOX XTS COMPACT 9AC33-C					00
KIT ENCLOSURE MODULBOX XTS COMPACT 9AC33-C					A1
Drawing by:					
3_250_00019					
Italtironi					
enclosures for electronics					
italtronic.com					

NO COMPONENTS AREA