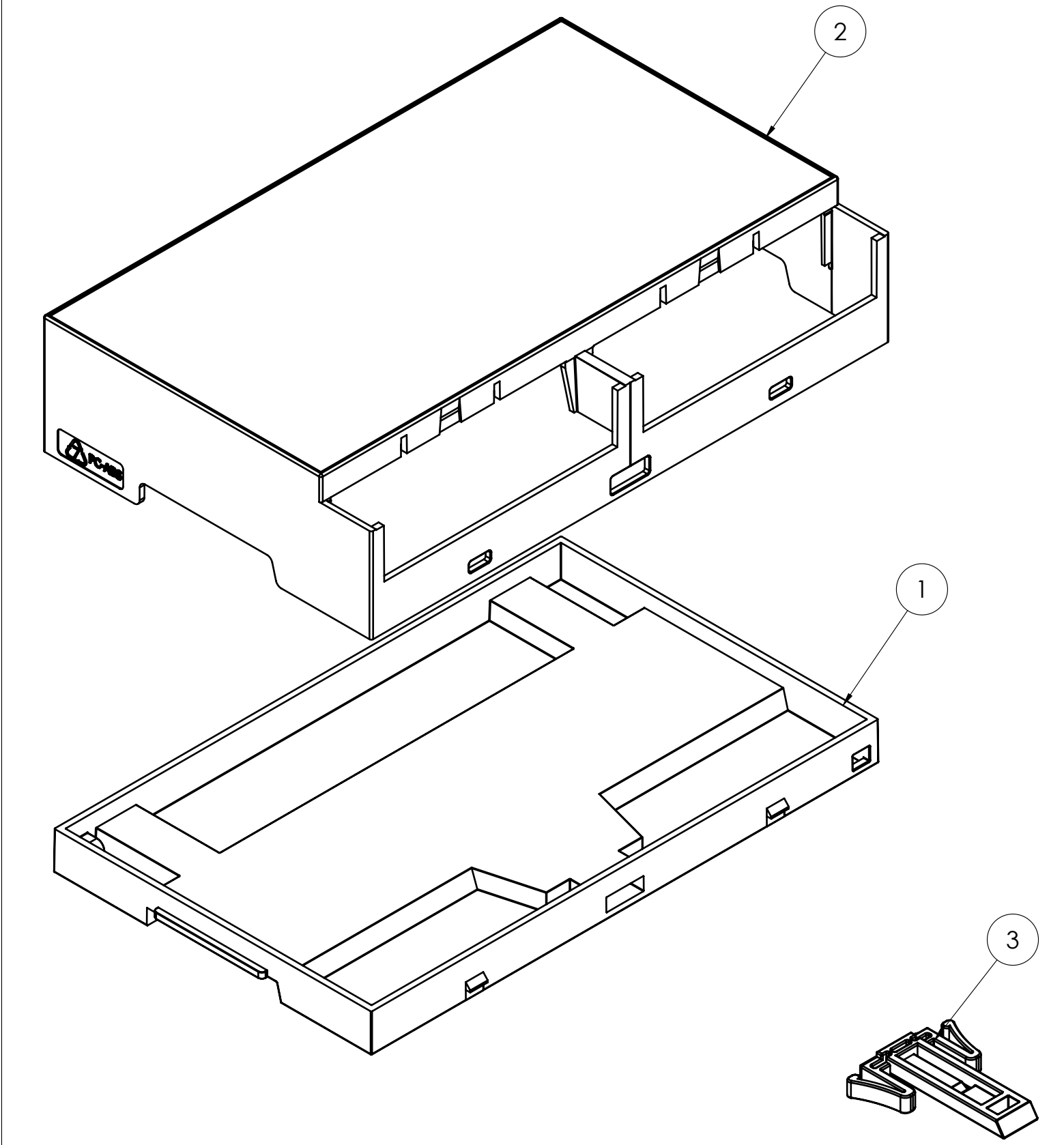
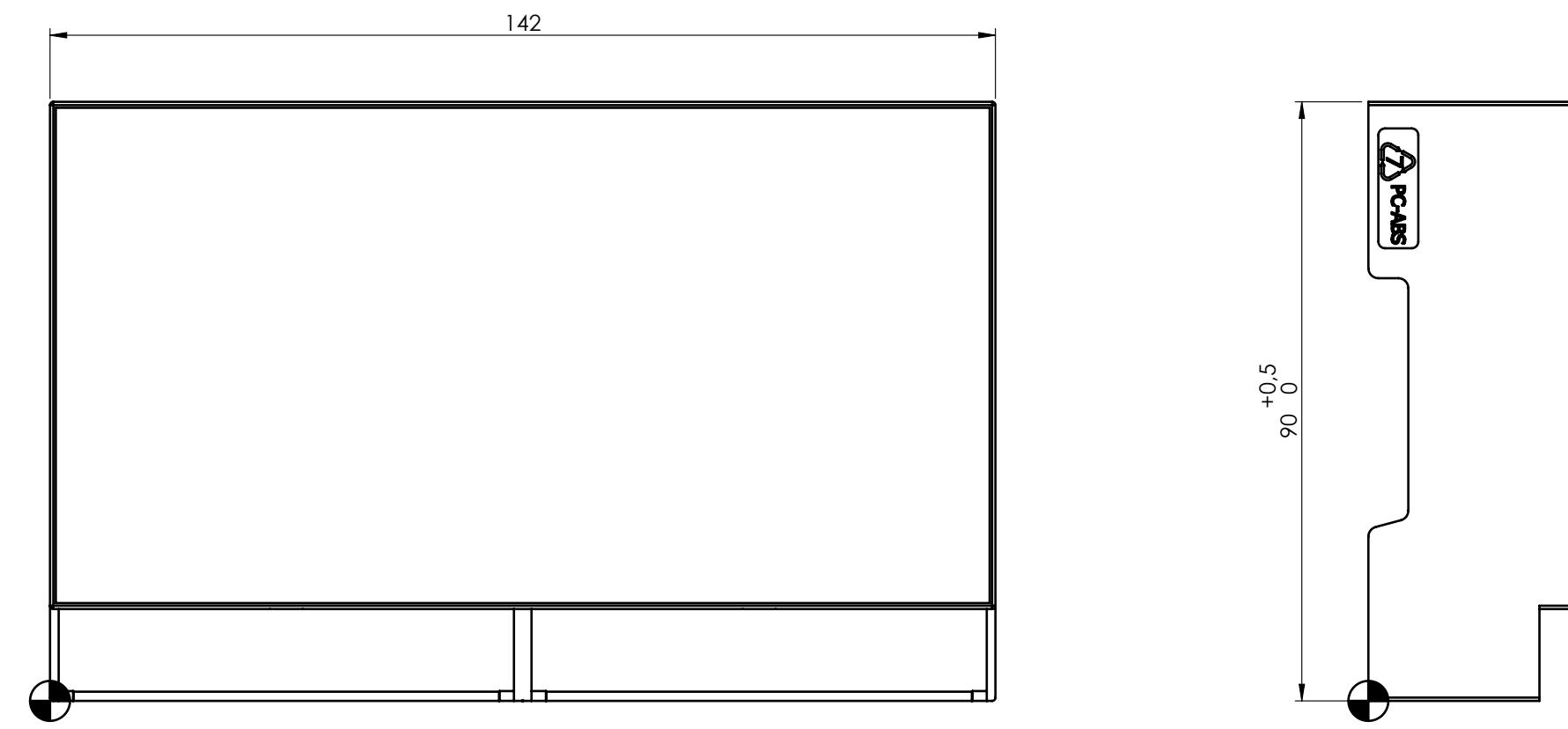
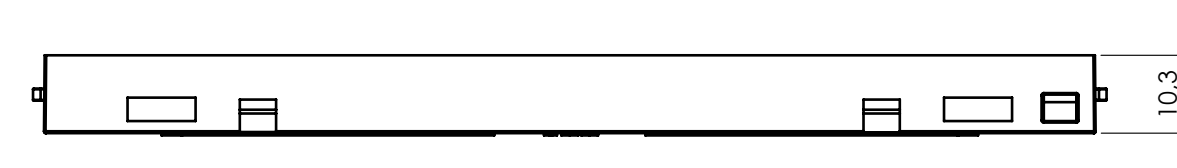
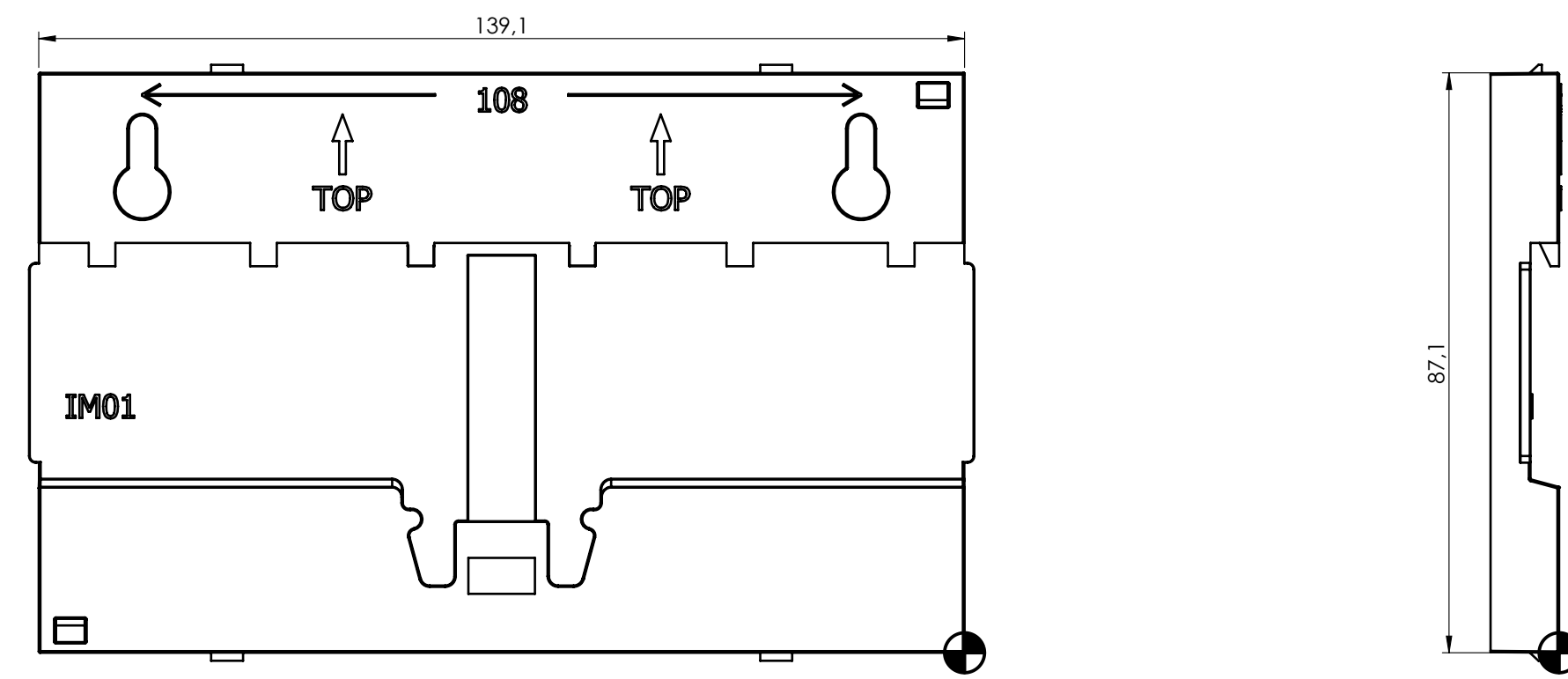


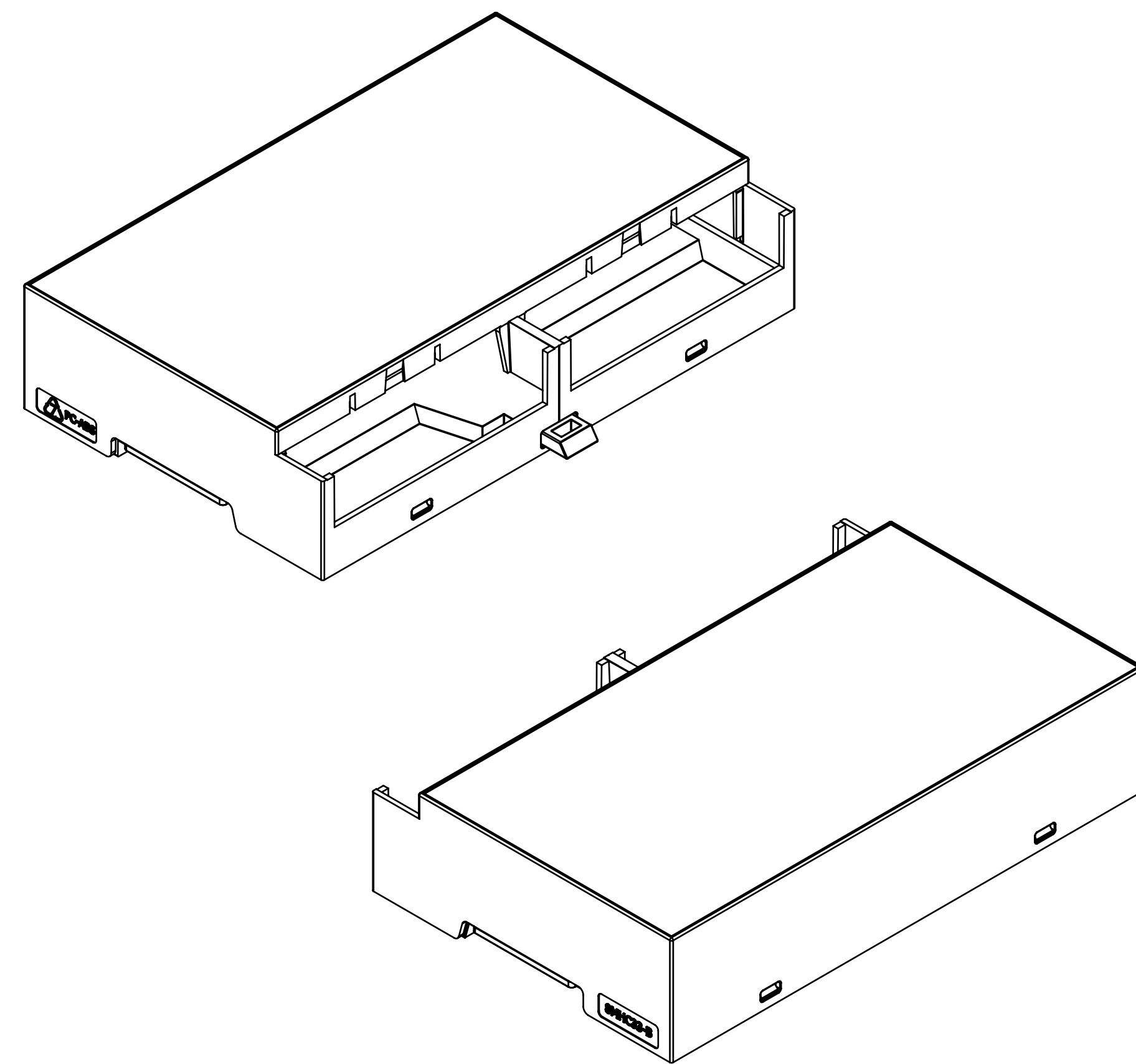
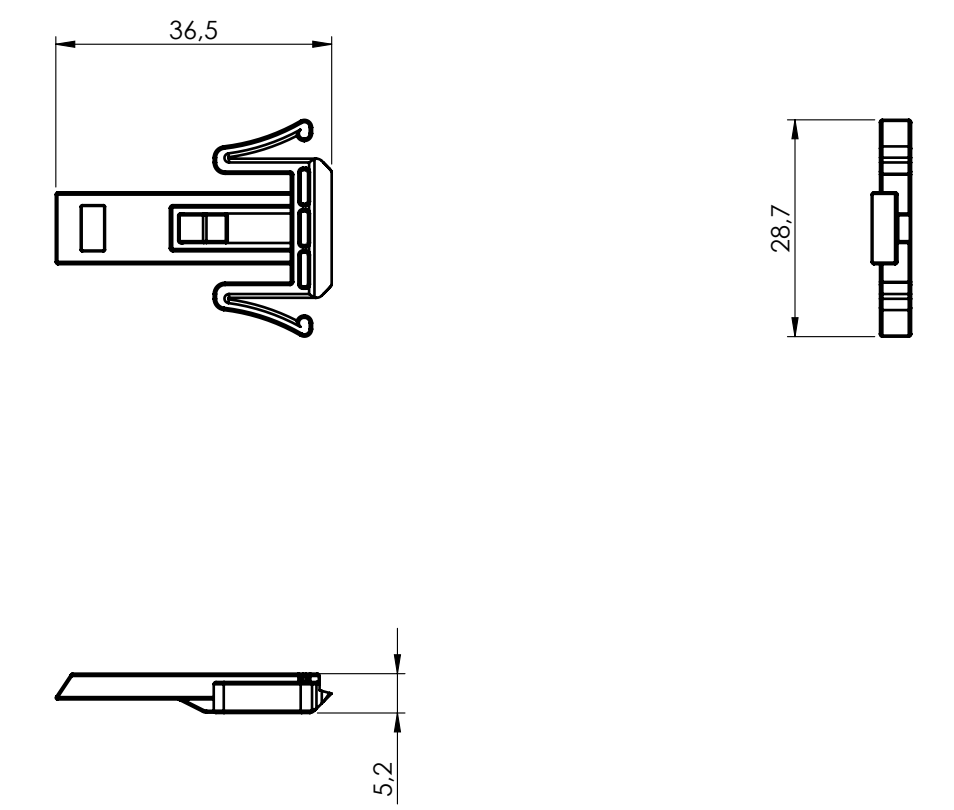
BODY ENCLOSURE



BASE



HOOK

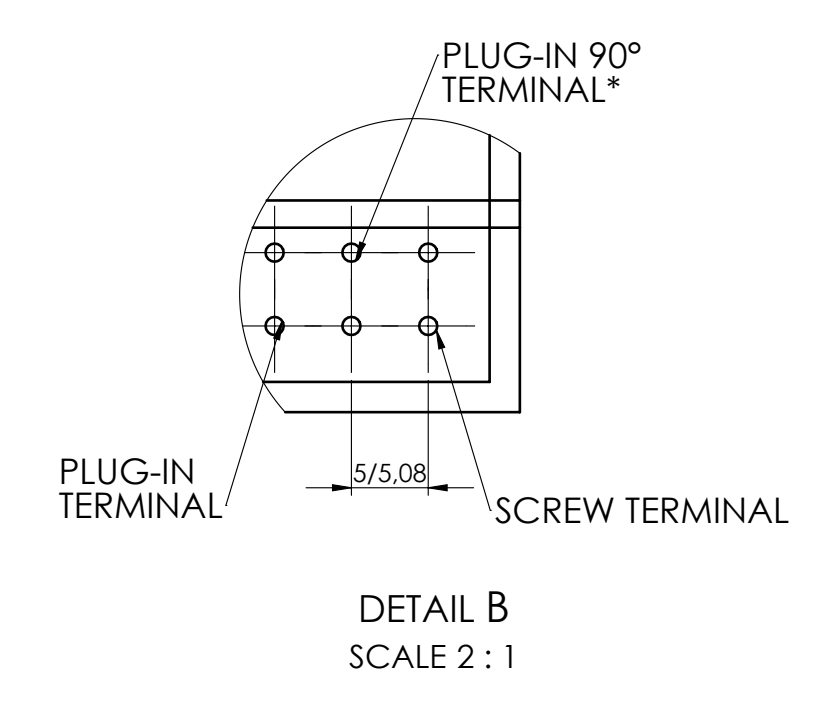
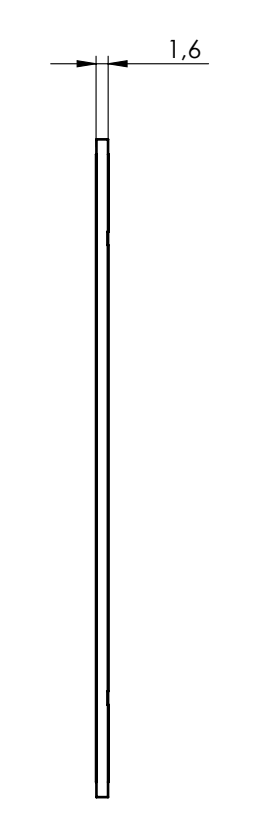
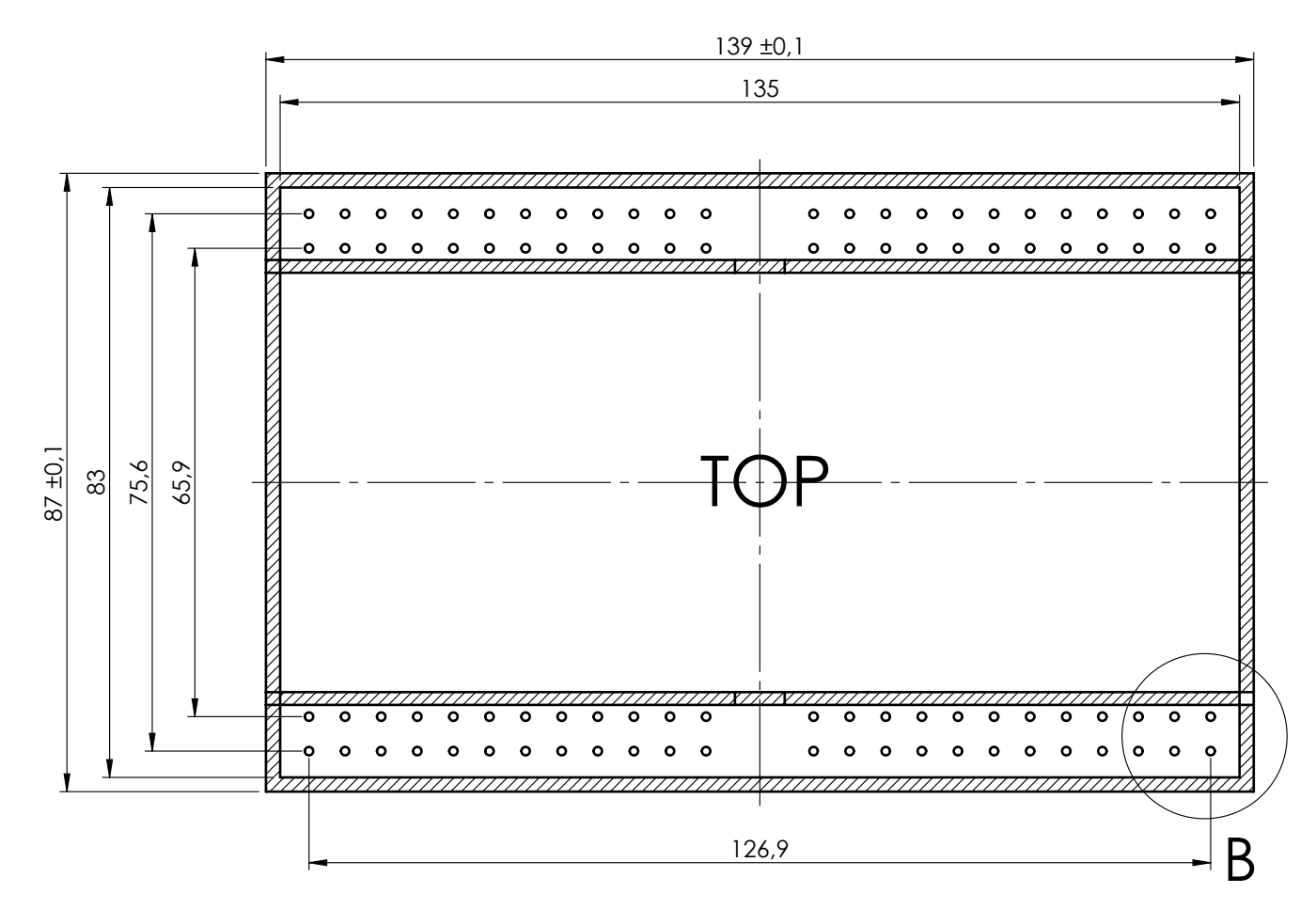


General information:  
 ● Workpiece zero point for mechanical processing  
 - Minimum recommended radius for machining = R1.0 mm  
 - Mounting rail like EN 60715: TH 35-7.5 or TH 35-15  
 - Recommended PCB outline on [www.italtronic.com](http://www.italtronic.com)  
 - Medium thickness = 1.5 mm

| General Tolerance IIR EN 22768/1 Medio (m)   |                      |                          |                         |                          | Sheet:       |
|--|----------------------|--------------------------|-------------------------|--------------------------|--------------|
| from 0.5 to 3<br>± 0.1   | from 3 to 6<br>± 0.1 | from 6 to 30<br>± 0.2    | from 30 to 120<br>± 0.3 | from 120 to 400<br>± 0.5 | 1            |
| Scale: IW:   | Drawn: M.S.          | Checked: R.N.            | Date: 14/03/2024        | Material:                | Process:     |
| 1:1  | --                   | Replaces the: M-05014-02 | Derived from: --        | Weight: gr               | Cod. Mod: -- |
| Description:<br>KIT CONTENITORE MODULBOX XTS COMPACT BMHC33-8<br>KIT ENCLOSURE MODULBOX XTS COMPACT BMHC33-8 |                      |                          |                         |                          | Rev: 00      |
| Dimension in mm<br>italtronic.com<br>enclosures for electronics<br>3_250_00001                               |                      |                          |                         |                          | A1           |

PCB A

Max height of the terminal:  
Modulbox XT/XTS: 18,5 mm



| General Tolerance IIR EN 22768/1 Media [m]    |             |               |                |                 | Sheet:     |
|---|-------------|---------------|----------------|-----------------|------------|
| from 0.5 to 3                                 | from 3 to 6 | from 6 to 30  | from 30 to 120 | from 120 to 400 | PCB        |
| ± 0.1   | ± 0.1       | ± 0.2         | ± 0.3          | ± 0.5           |            |
| Scale:  | 1:1         | 1:1           | 1:1            | 1:1             | Process:   |
| IM:   | M.S.        | R.N.          | 14/03/2024     | Material:       |            |
| Dimension in mm                               |             | Replaces the: | Derived from:  | Weight:         | Cod. Mold: |
|   |             | M-05014-02    |                | gr              | --         |
| Description:                                  |             |               |                |                 |            |
| KIT CONTENITORE MODULBOX XTS COMPACT BMHC33-8 |             |               |                |                 |            |
| KIT ENCLOSURE MODULBOX XTS COMPACT BMHC33-8   |             |               |                |                 |            |
| Drawing by:                                   |             |               |                |                 | Rev.:      |
| 3_250_00001                                   |             |               |                |                 | 00 A1      |

NO COMPONENTS AREA

