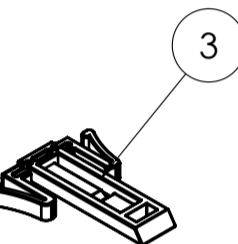
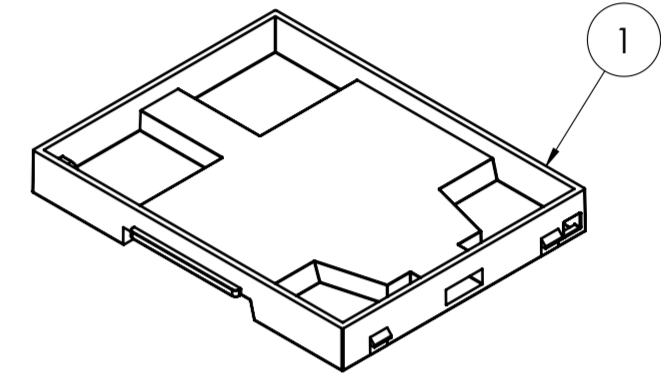
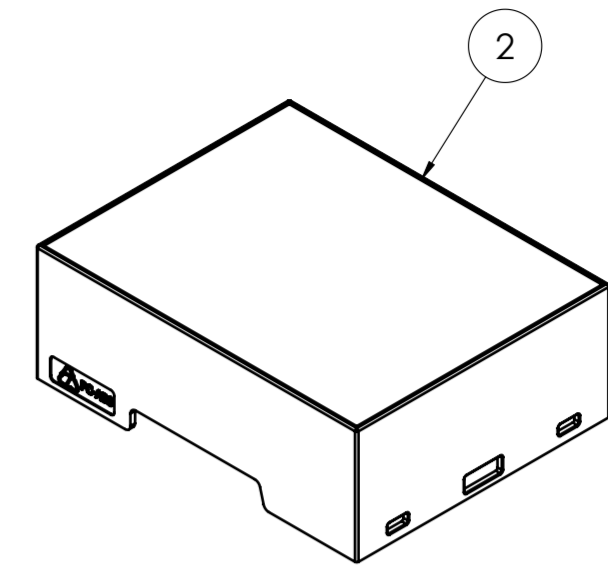
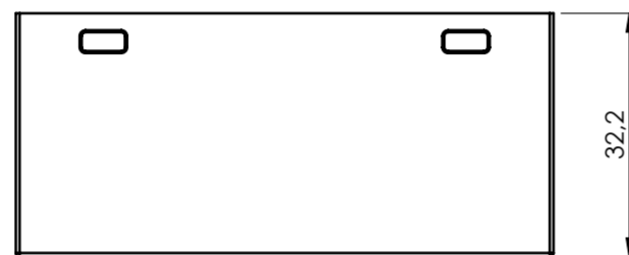
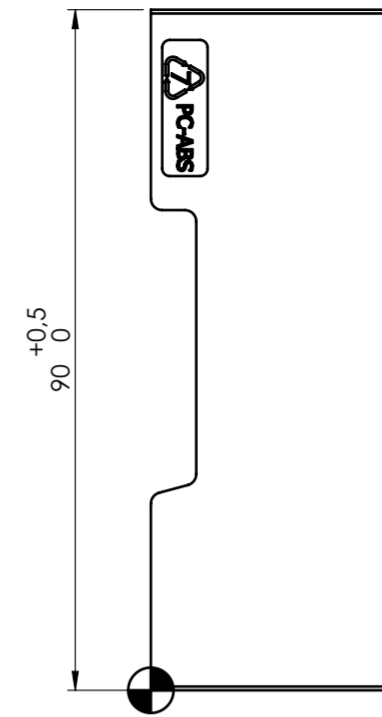
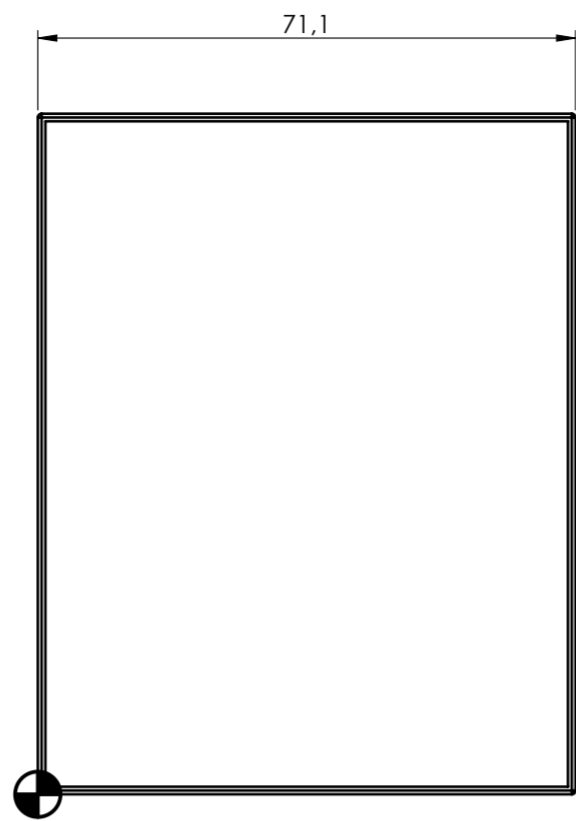
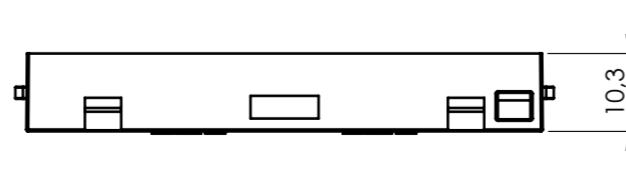
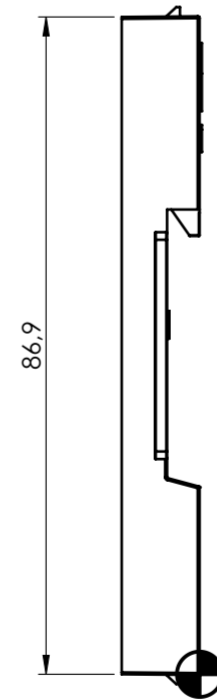
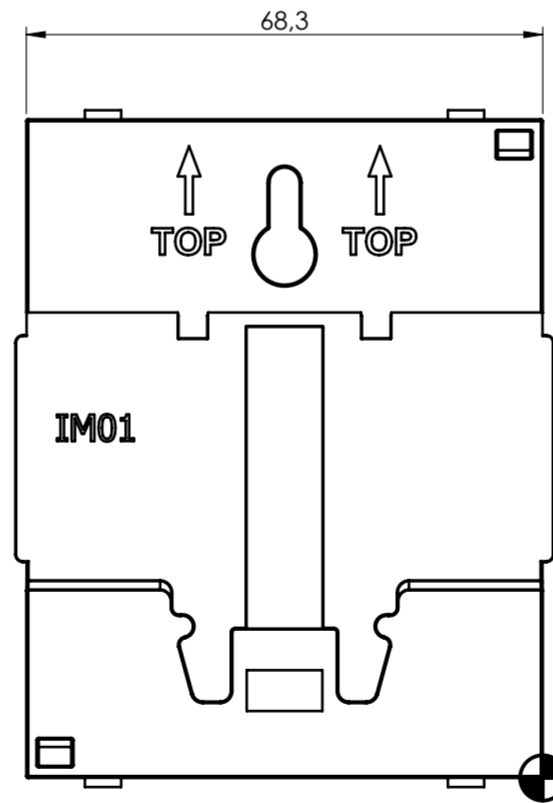


BODY ENCLOSURE

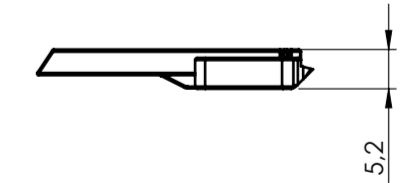
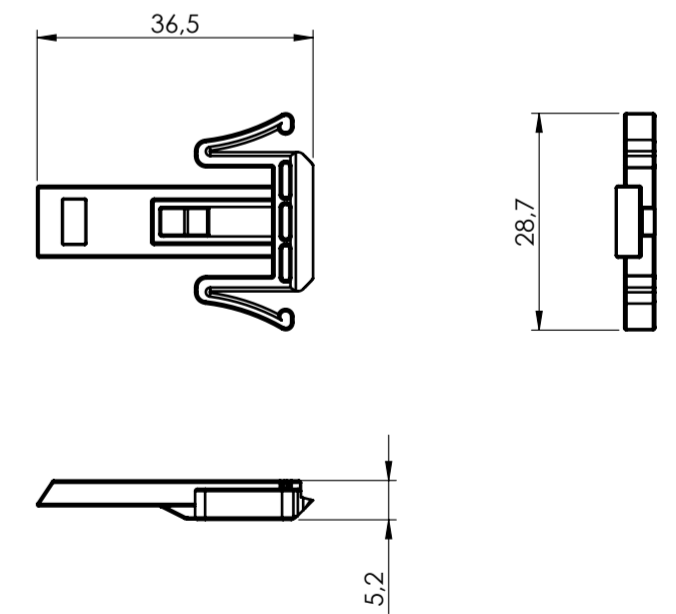


BASE




General information:
 - Workpiece zero point for mechanical processing
 - Minimum recommended radius for machining = R1.0 mm
 - Mounting rail like EN 60715: TH 35-7.5 or TH 35-15
 - Recommended PCB outline on www.italtronic.com
 - Medium tickness = 1.5 mm

HOOK



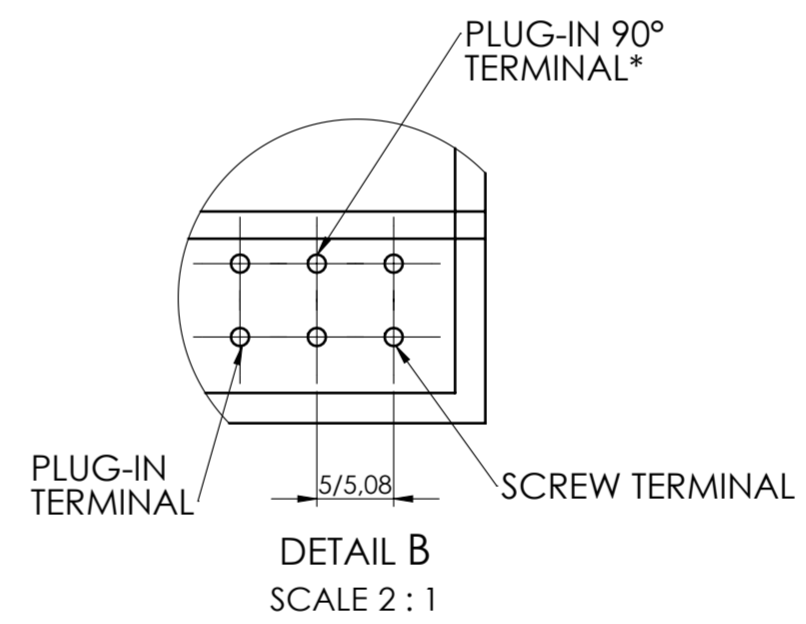
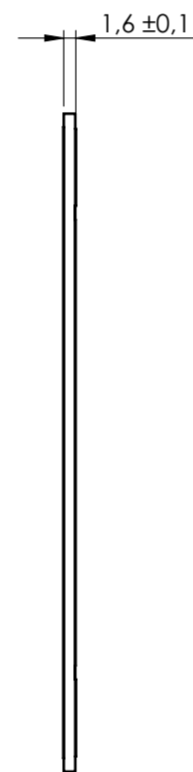
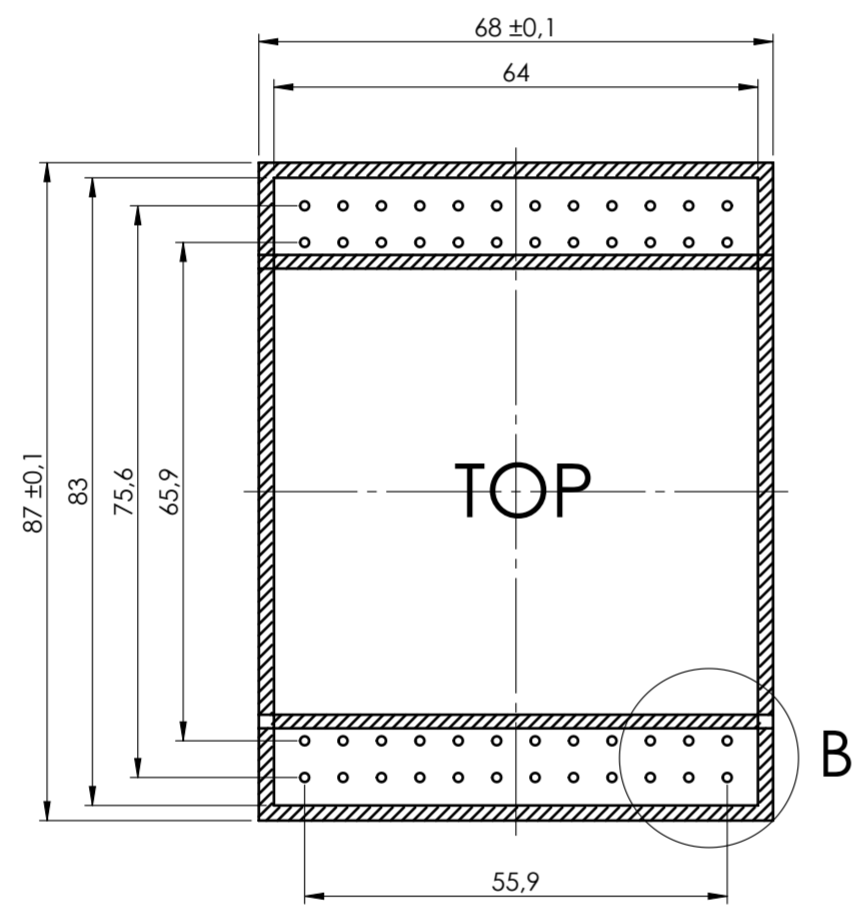
RIF.	Q.TY	DRAWING	DESCRIPTION
1	1	2_250_03633	BASE MODULBOX XT/XTS 4M
2	1	2_250_00008	CORPO MODULBOX XTS 4MC33-C CLOSED COMPACT
3	1	2_250_00072	HOOK FOR MODULBOX XT-XTS

General Tolerance UNI EN 22768/1 Media (m)						Sheet:
from 0.5 to 3	from 3 to 6	from 6 to 30	from 30 to 120	from 120 to 400		1
± 0.1	± 0.1	± 0.2	± 0.3	± 0.5		
Scale:	IM:	Drawed:	Checked:	Date:	Material:	Process:
1:1	--	M.S.	R.N.	12/03/2024		
Dimension in mm		Replaces the:		Derived from:	Weight:	Cod. Mold:
		M-05175-00		--	gr	--


 Description:
 KIT CONTENITORE MODULBOX XTS COMPACT 4MC33-C
 KIT ENCLOSURE MODULBOX XTS COMPACT 4MC33-C
 Drawing nr.: **3_250_00010**
 Rev.: **00** **A2**

PCB A

Max height of the terminal:
Modulbox XT/XTS: 18.5 mm



General Tolerance UNI EN 22768/1 Media (m)						Sheet:
from 0.5 to 3 ± 0.1	from 3 to 6 ± 0.1	from 6 to 30 ± 0.2	from 30 to 120 ± 0.3	from 120 to 400 ± 0.5		PCB
Scale:	IM:	Drawn:	Checked:	Date:	Material:	Process:
1:1	--	M.S.	R.N.	12/03/2024		
	The present drawing cannot be reproduced or communicated to 3rd parties, even partially, without the authorization of Italtronic. Italtronic reserves the right to protect its copyrights according to the law.		Replaces the:	Derived from:	Weight:	Cod. Mold:
Dimension in mm			M-05175-00	--	gr	--
 italtronic enclosures for electronics italtronic.com						Description:
						KIT CONTENITORE MODULBOX XTS COMPACT 4MC33-C KIT ENCLOSURE MODULBOX XTS COMPACT 4MC33-C
Drawing nr.:						Rev.:
3_250_00010						00 A2

NO COMPONENTS AREA