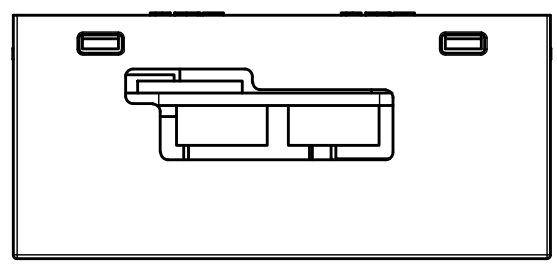
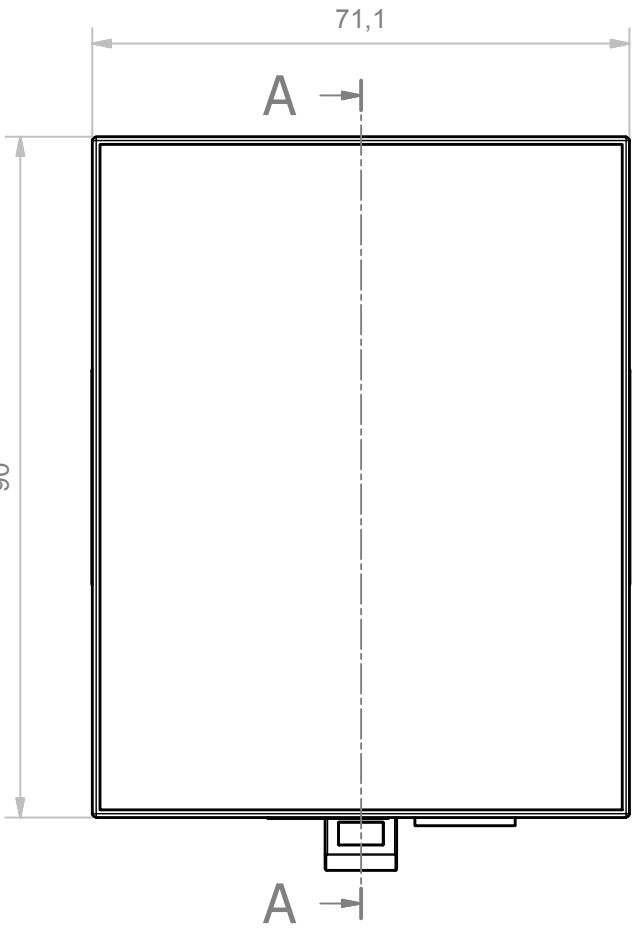
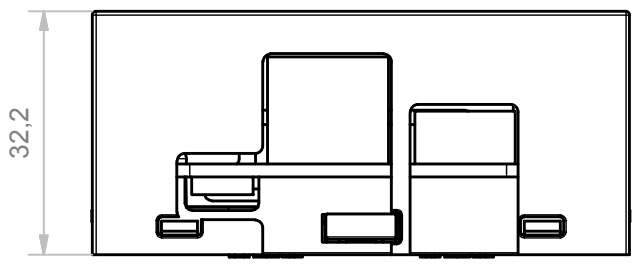
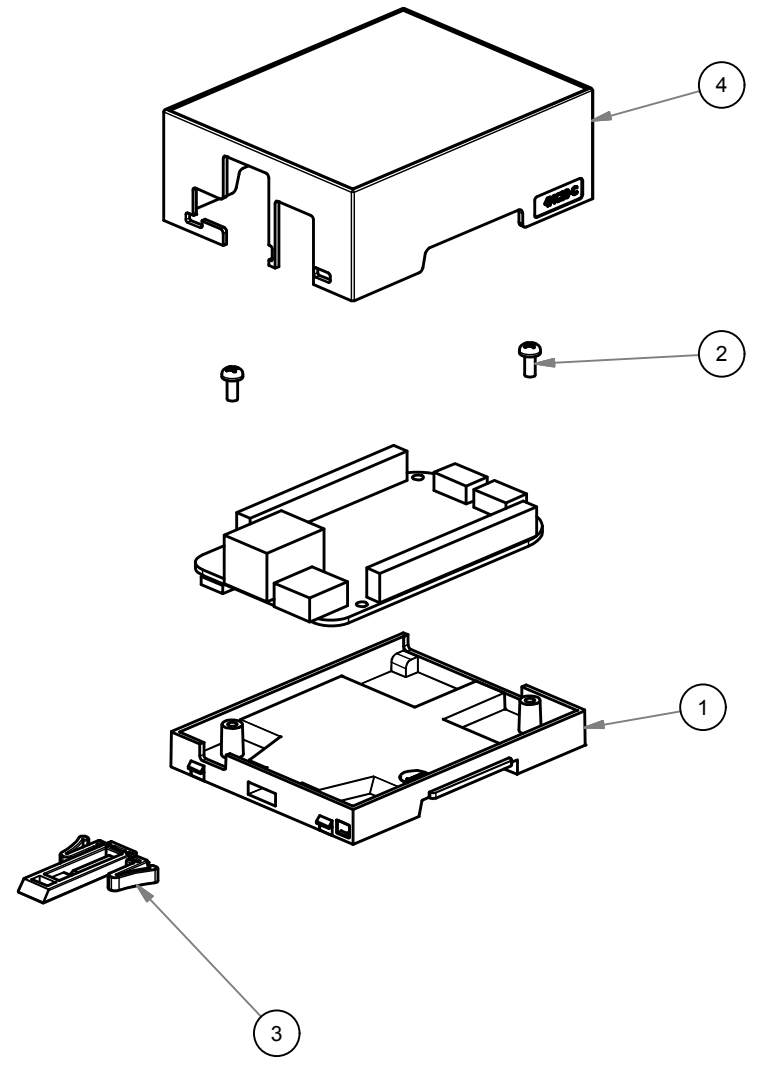
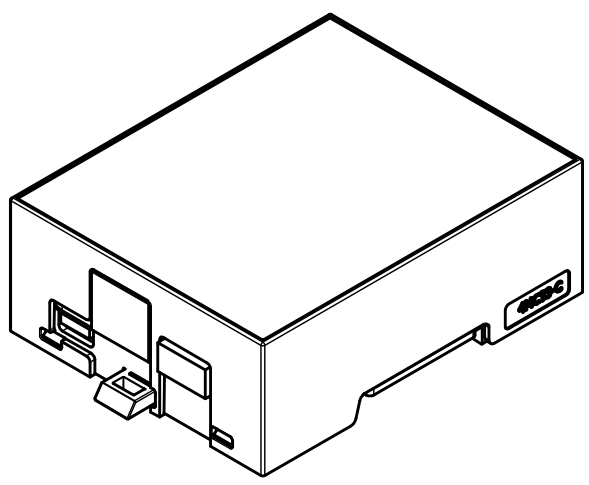
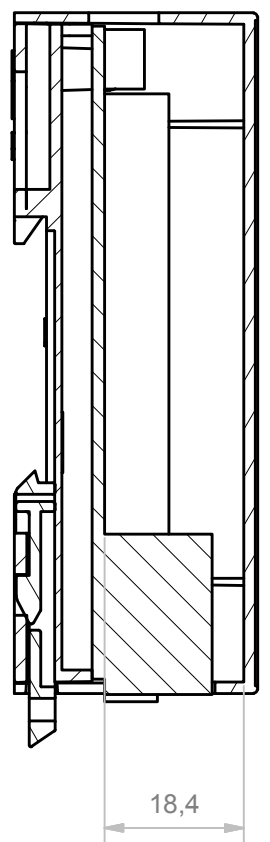


D
C
B
A

6 5 4 3 2 1



A-A (1:1)



RIF.	Q.TY	DESCRIPTION	DRAWING
1	1	BASE 4M XT BEAGLEBONE	1.001.05203
2	2	SCREW 2.9 X 6.5 TRUNC	8.100.00003
3	1	MODULAR HOOK LONG	1.001.01900
4	1	BODY ENCLOSURE 4M XTS COMPACT BEAGLEBONE GREEN	2.050.00011

General Tolerance UNI EN 22768/1 Media (m)										
from 0.5 to 3	from 3 to 6	from 6 to 30	from 30 to 120	from 120 to 400						
± 0.1	± 0.1	± 0.2	± 0.3	± 0.5						
Scale: 1 : 1	Sheet nr.: 1 / 1	Drawn: N.R.	Checked: F.F.	Date: 21/03/2018	5	4	3	2	1	Revision description
Dimension in mm		Material:	Weight:	Volume:						
 www.italtronic.com techcare@italtronic.com		Description: CONTENITORE COMPLETO 4M XTS COMPACT BEAGLEBONE GREEN COMPLETE ENCLOSURE 4M XTS COMPACT BEAGLEBONE GREEN			Drawing nr. 3.050.00006		Rev. 00			

6 5 4 3 2 1

D
C
B
A

RESERVED PROPERTY: The present drawing cannot be reproduced or communicated to 3rd parties, even partially, without the authorization of ITALTRONIC Srl. Italtronic reserves to protect its own rights according to the law.