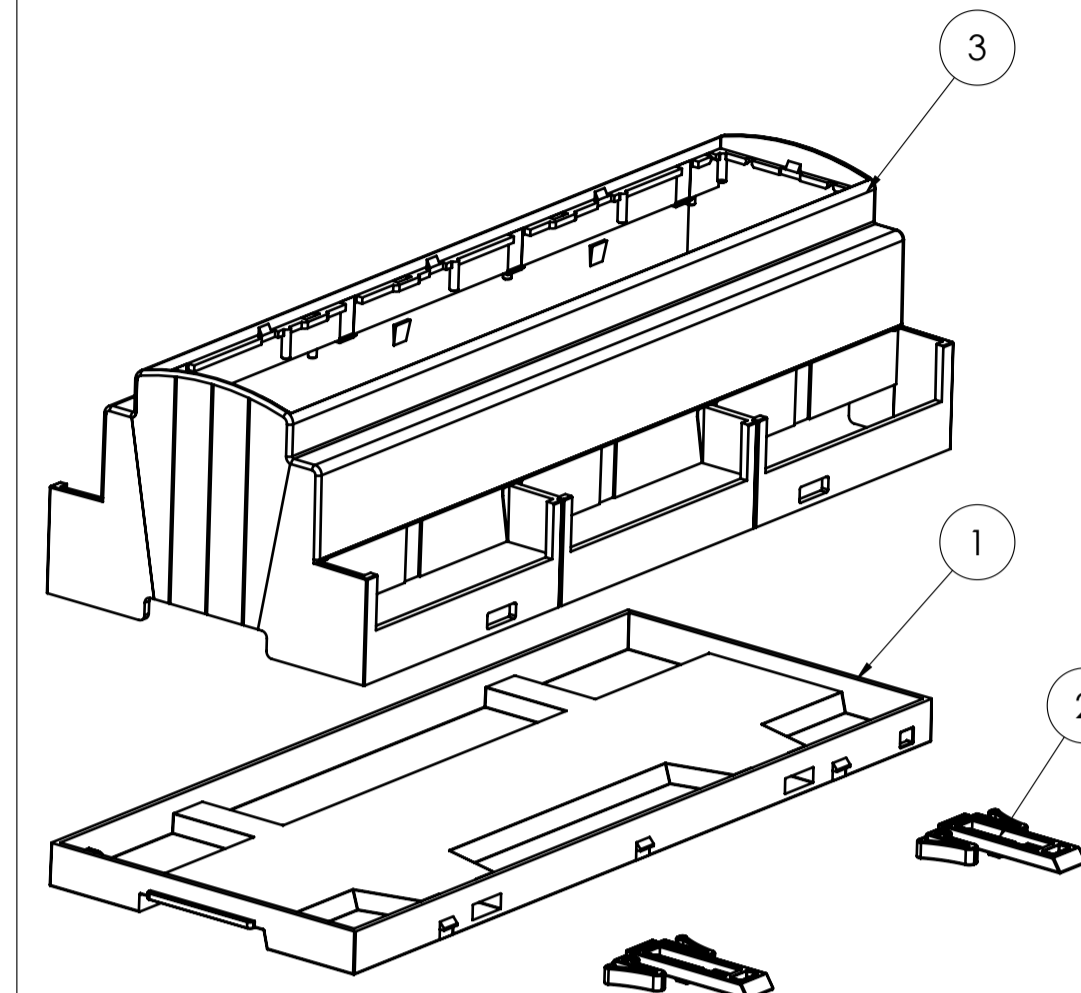
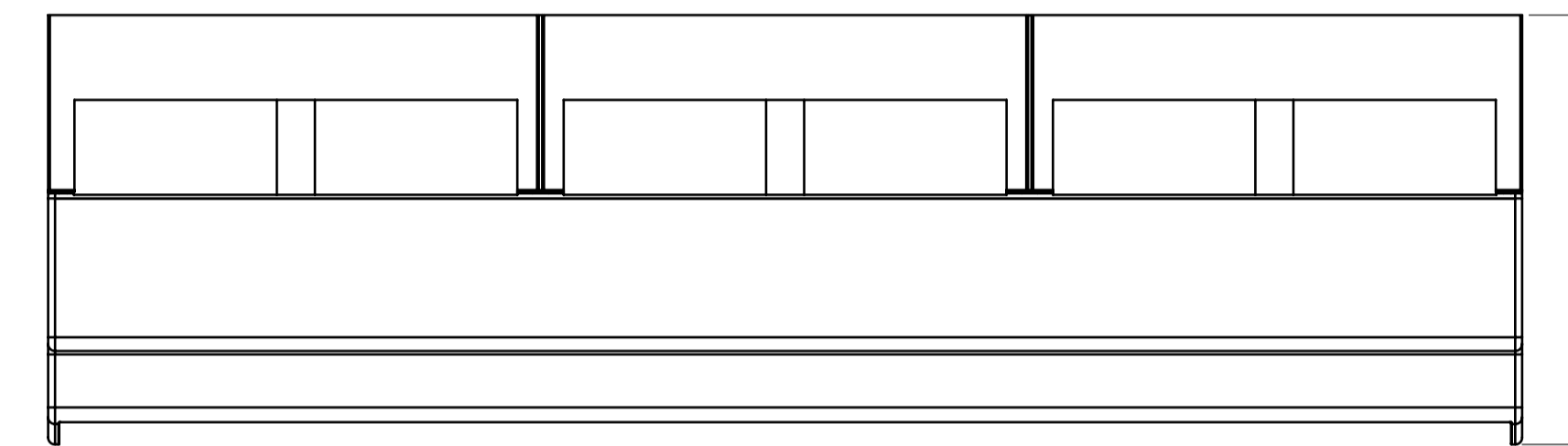
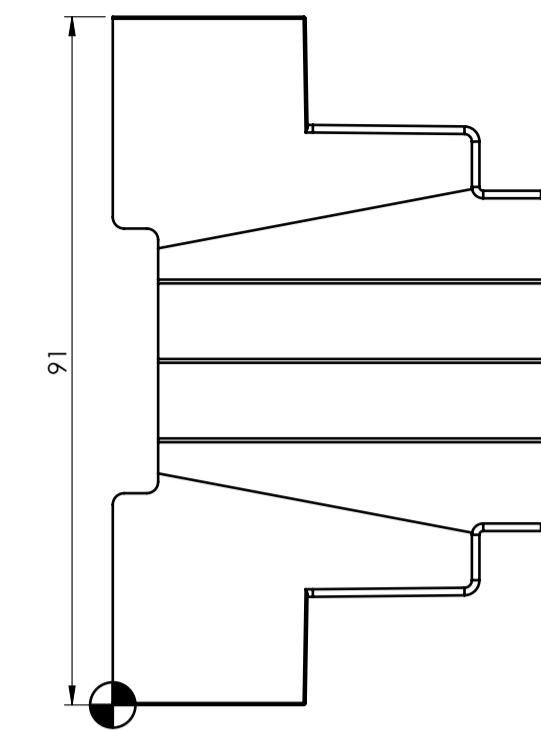
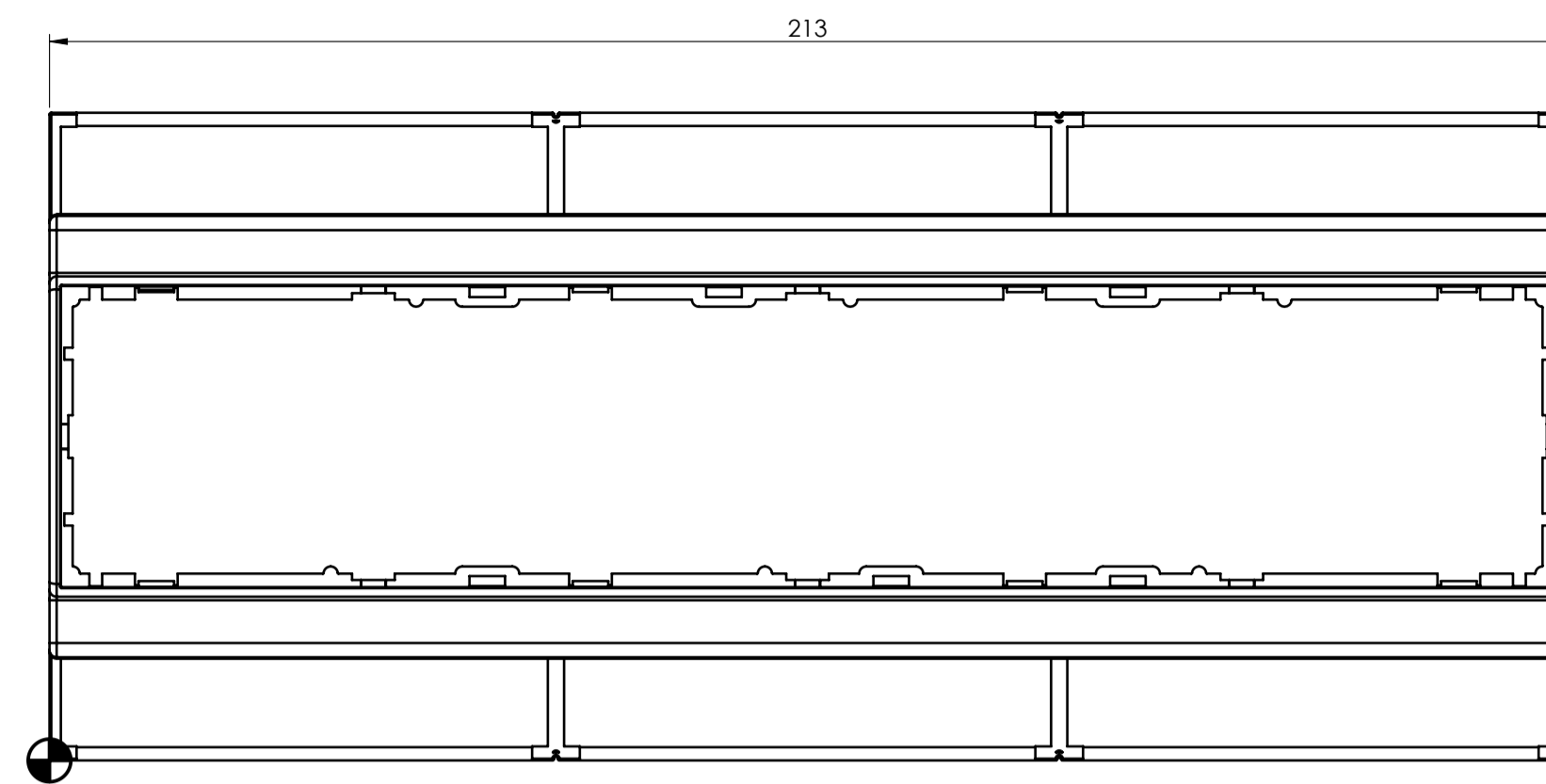
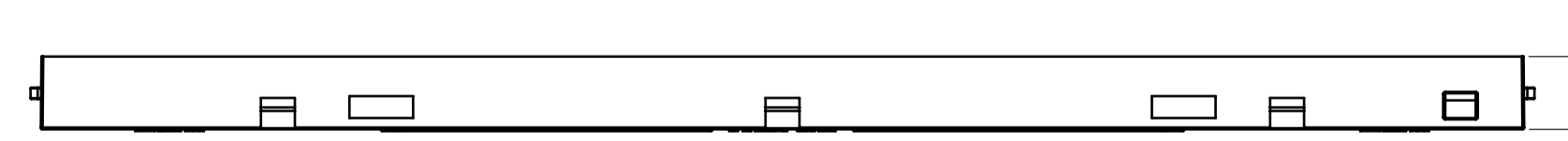
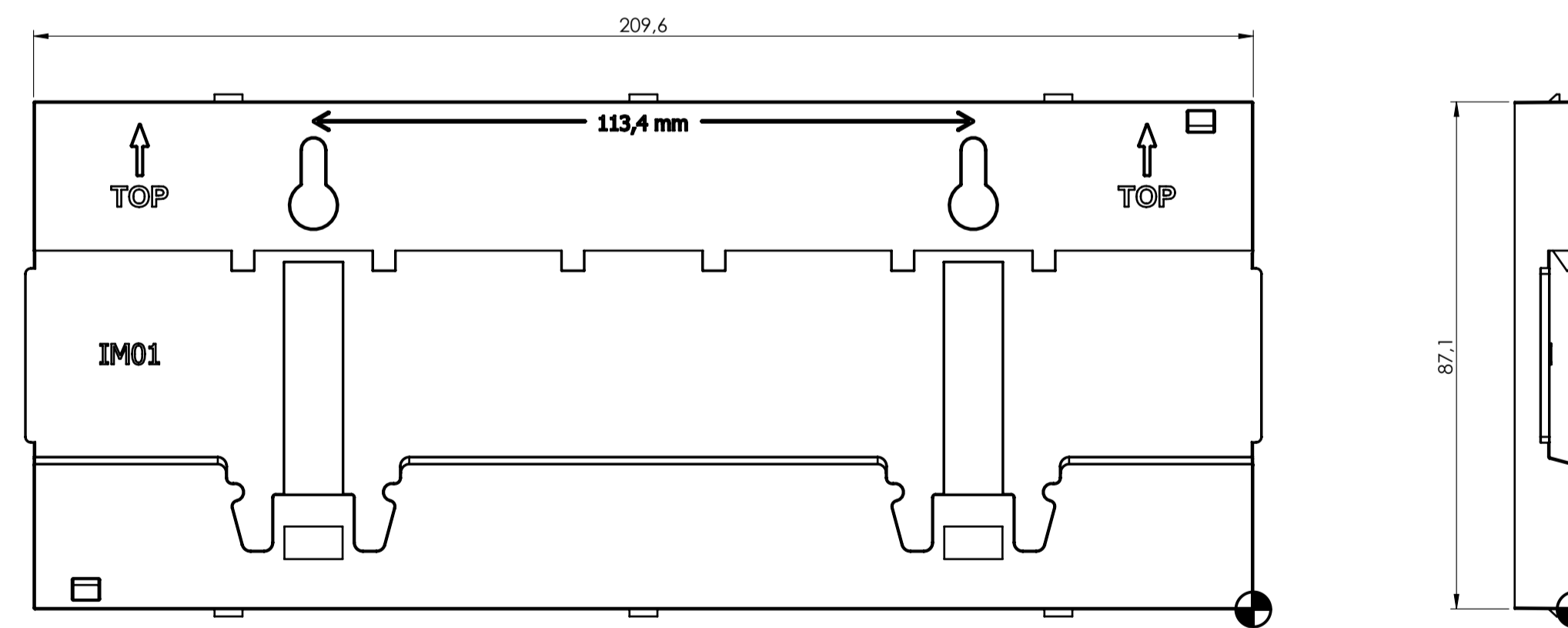


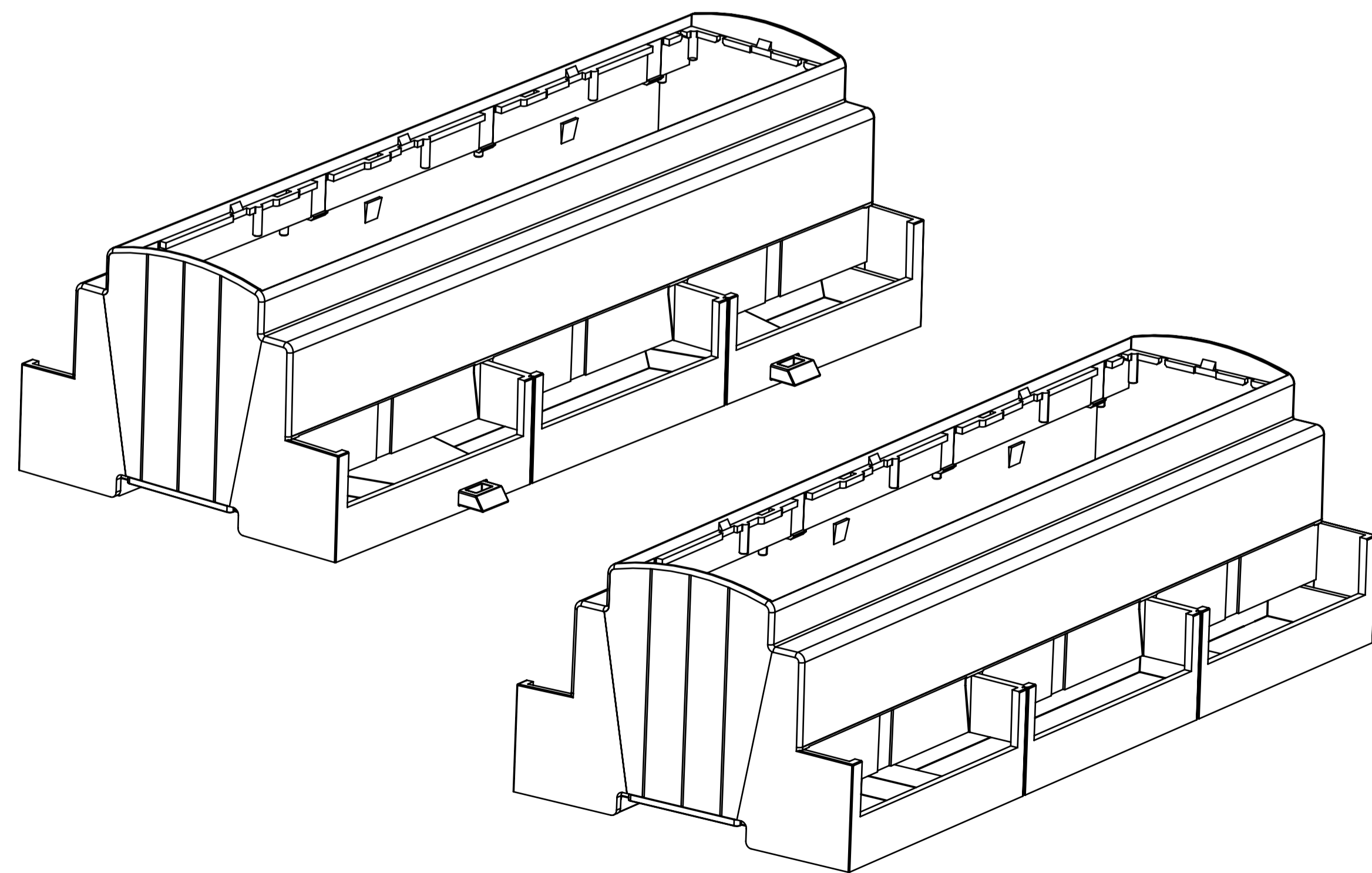
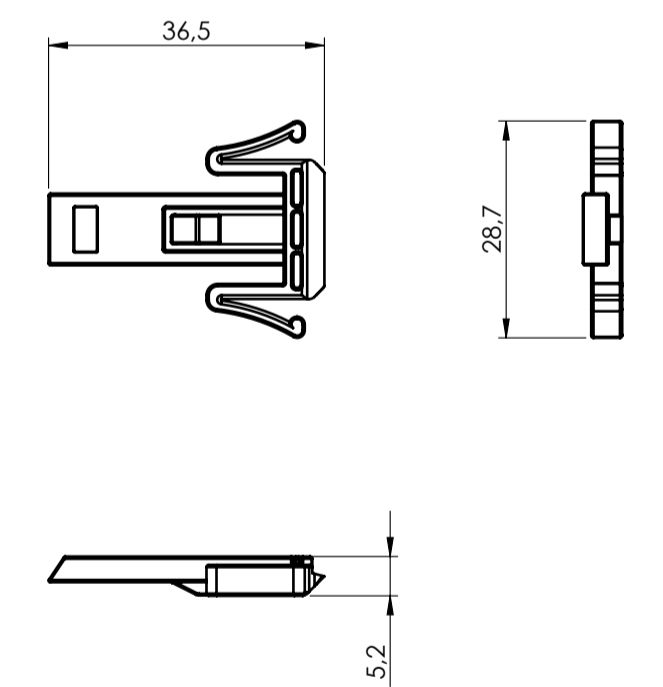
BODY ENCLOSURE



BASE



HOOK



General information:
 - Workpiece zero point for mechanical processing
 - Minimum recommended radius for machining = R1.0 mm
 - Mounting rail like EN 40715; TH 35-7.5 or TH 35-15
 - Recommended PCB outline on www.italtronic.com

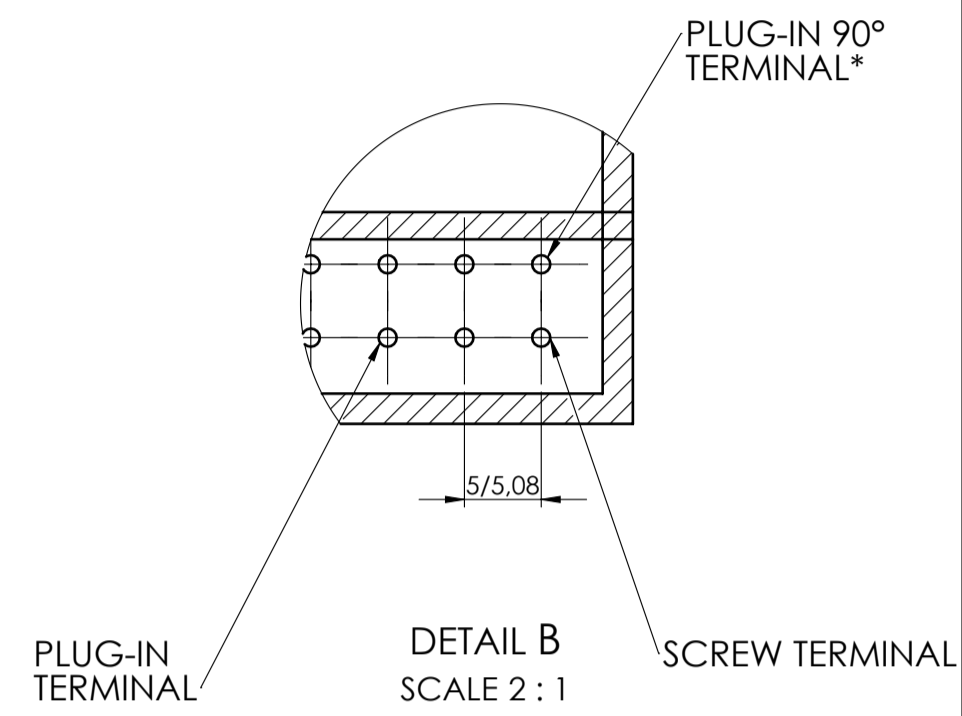
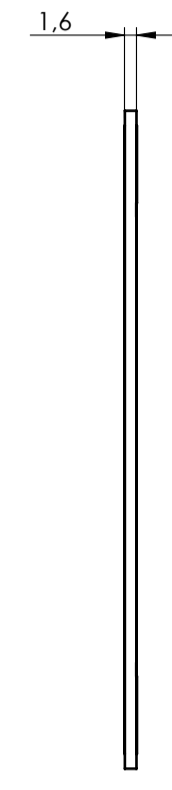
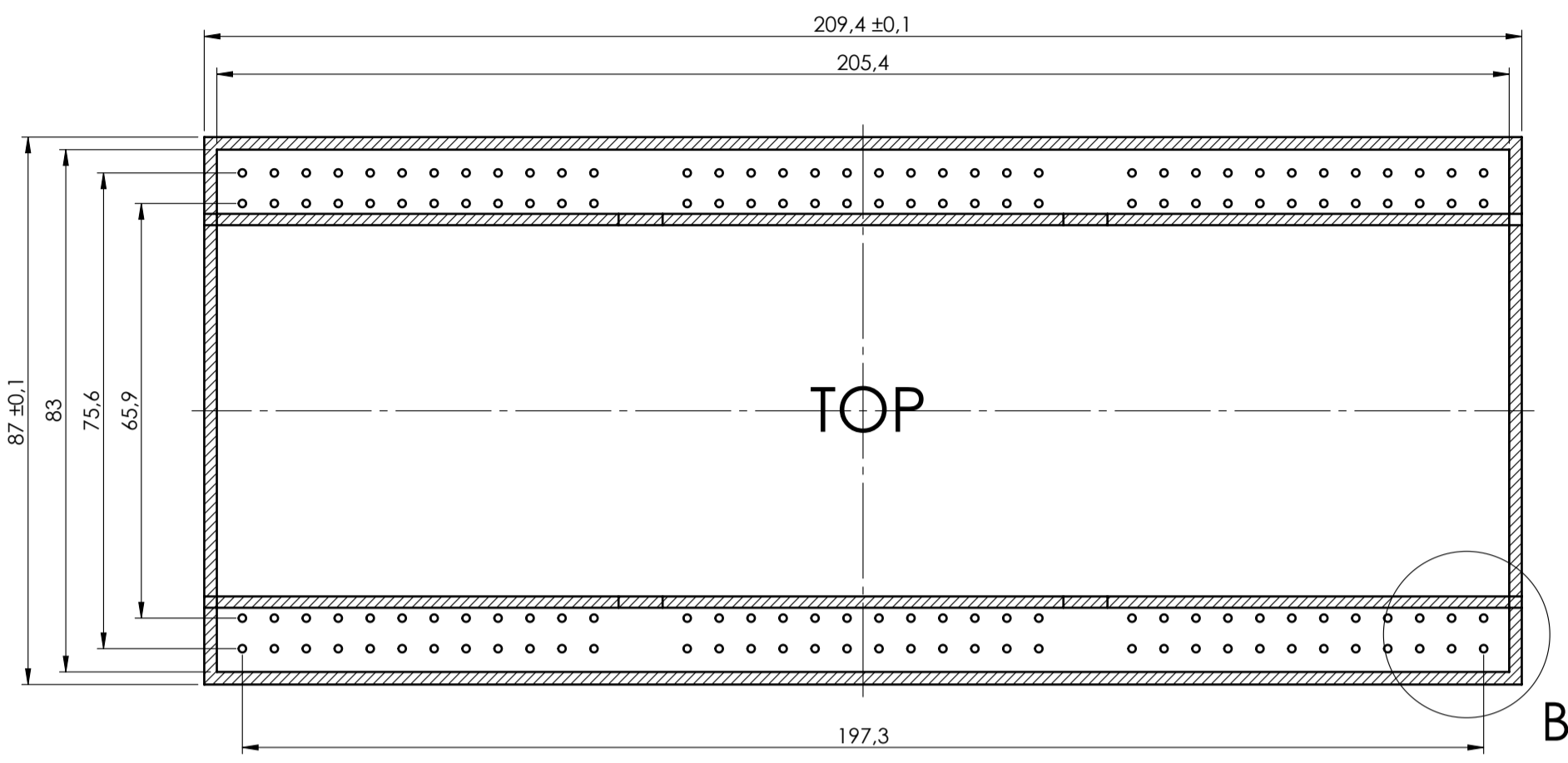
RIF.	Q.TY	DRAWING	DESCRIPTION
1	1	2_250_03627	BASE MODULBOX XT-XTS 12M
2	2	2_250_00072	HOOK FOR MODULBOX XT-XTS
3	1	2_250_03695	BODY MODULBOX XTS 12M53-A

Dimension in mm	from 0.5 to 3	from 3 to 6	from 6 to 30	from 30 to 120	from 120 to 400	Sheet
General Tolerances (RfE EN 22768/1 Medio [m])	± 0.1	± 0.1	± 0.2	± 0.3	± 0.5	1
Scale:	1:1	Drawn:	Checked:	Date:	Material:	Process:
Derived from:	R.N.	19/05/2023	Weight:	Cod. Mod:	gr	--

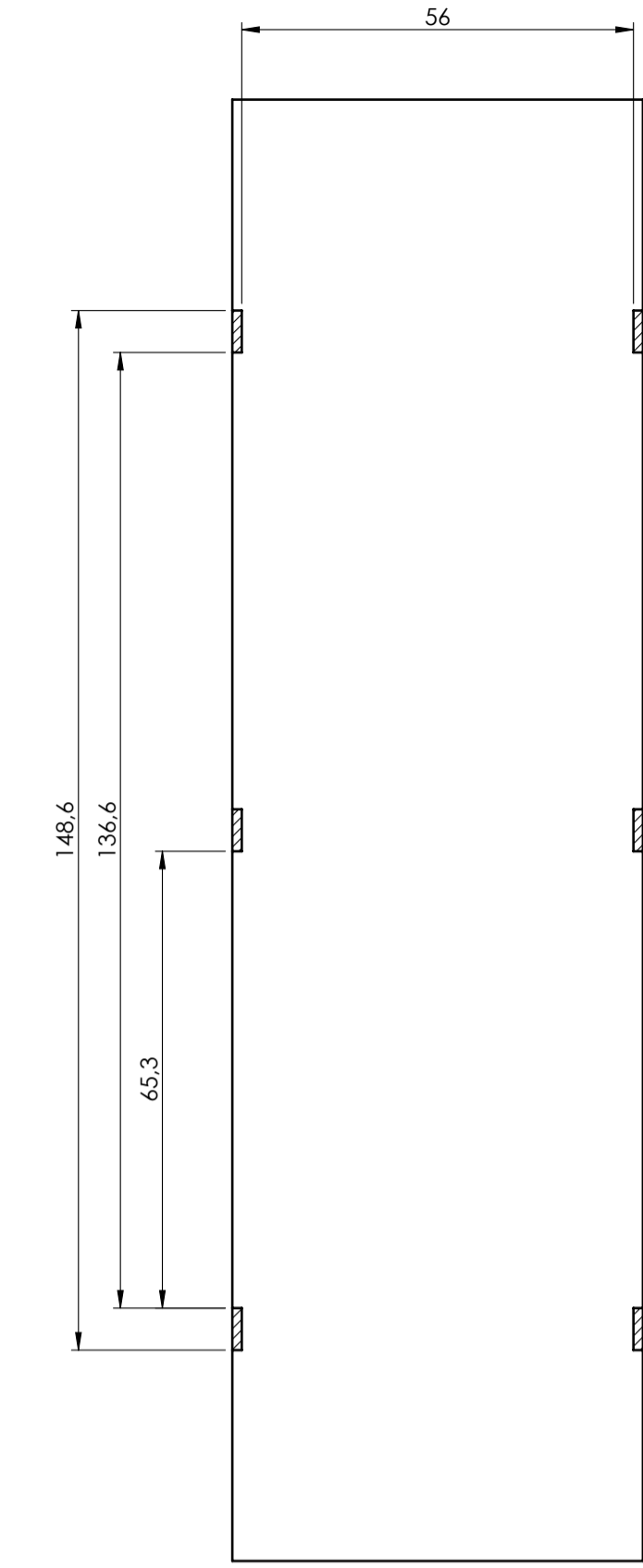
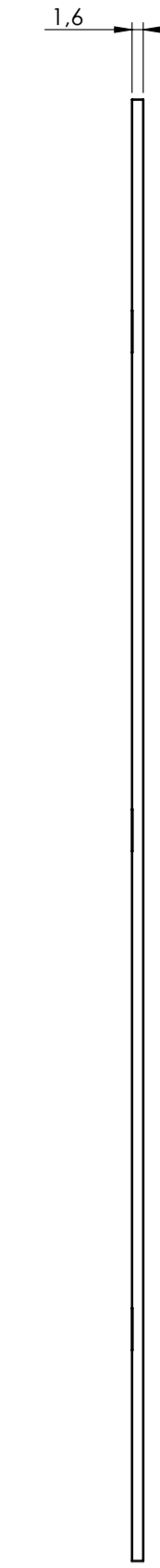
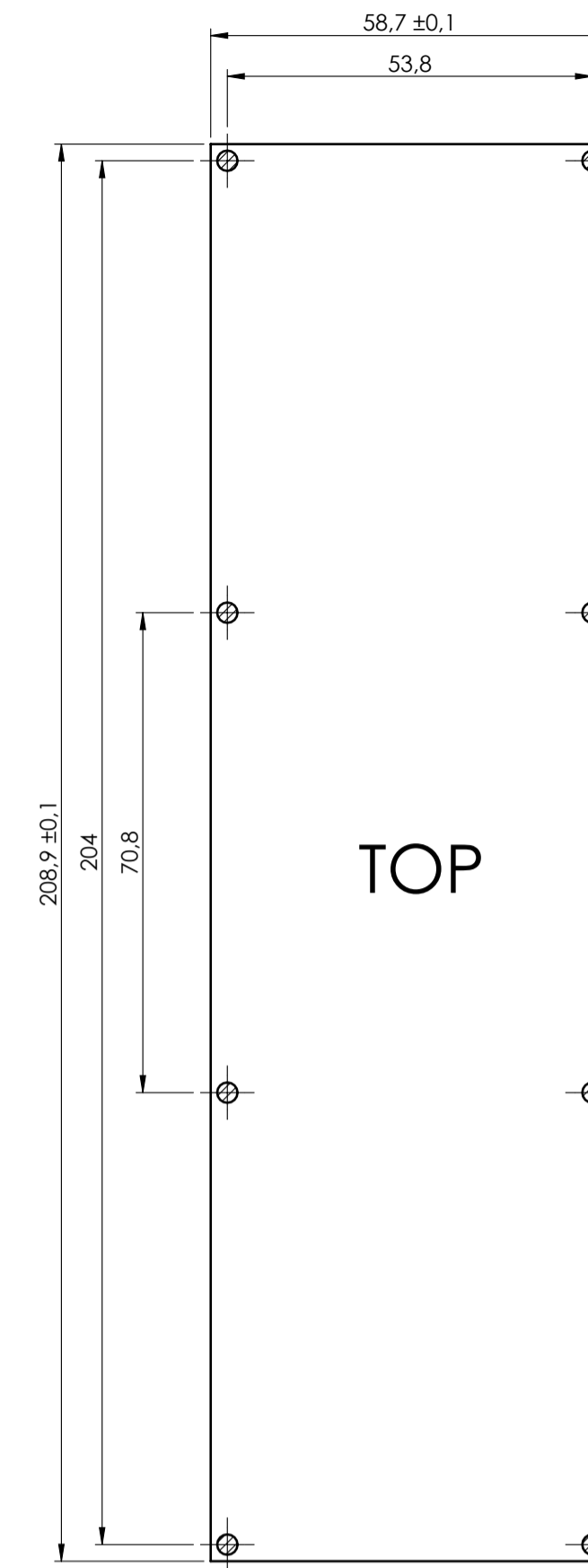
Rev.	Mod.
-	A1

PCB A

Max height of the terminal:
Modulbox XT/XTS: 18,5 mm
Modulbox ONE: 20 mm

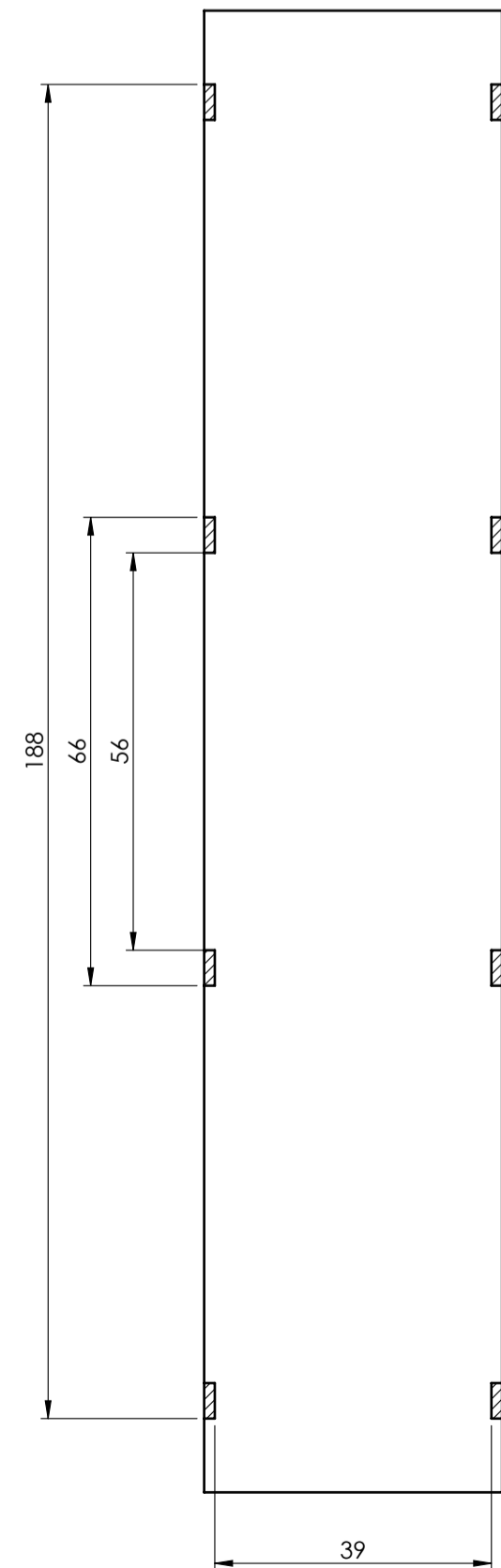
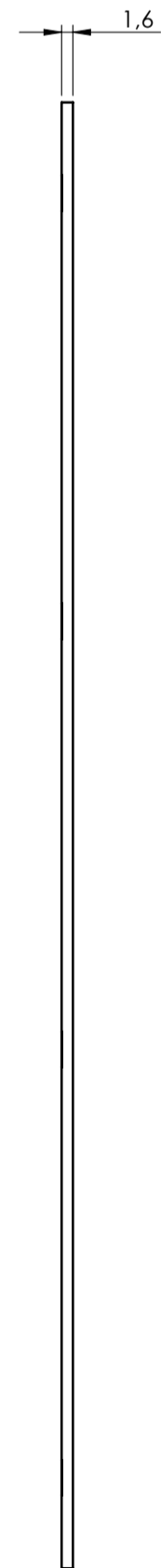
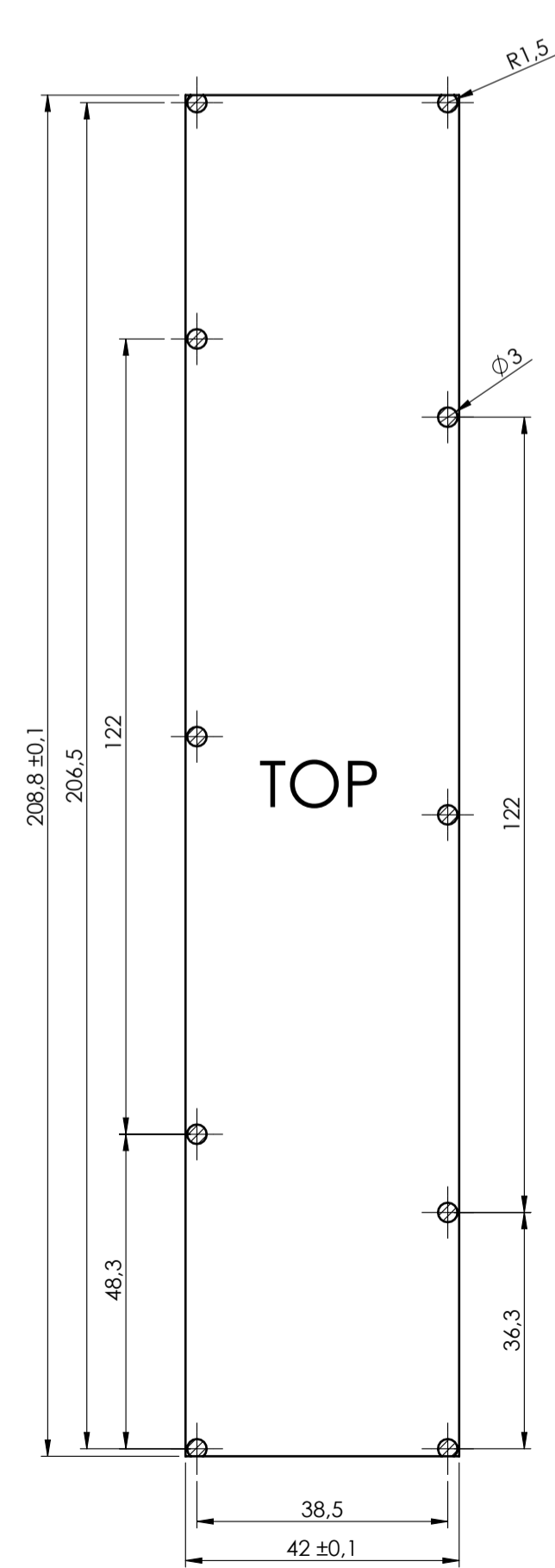


PCB B

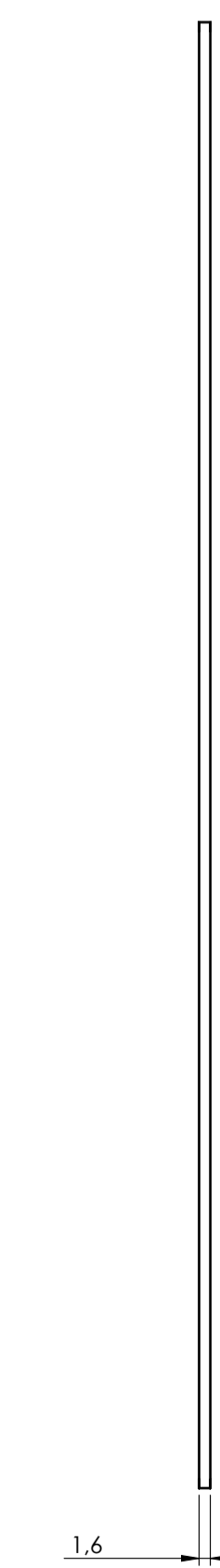
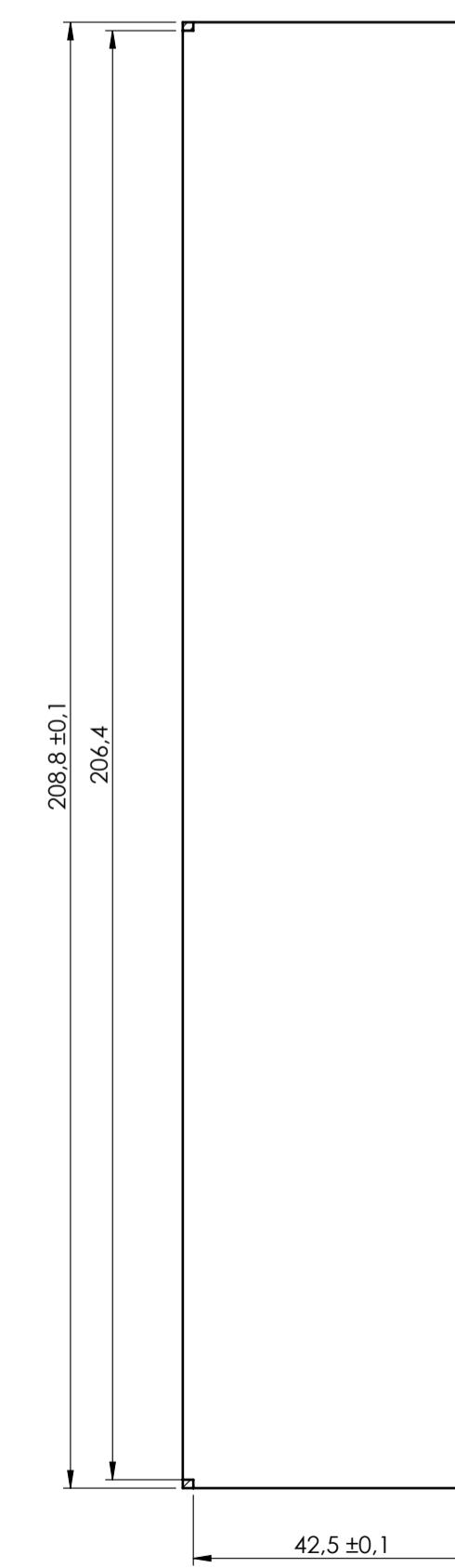


*To use the PLUG-IN terminals in Modulbox ONE use plug-in adapter P05000003E (5/5.08 pitch) and P05000004E (7.5/7.62 pitch)

PCB C



PCB V2



General Tolerance IIR EN 22768 / Media (m)				Sheet:	
from 0.5 to 3	from 3 to 6	from 6 to 30	from 30 to 120	from 120 to 400	PCB
±0.1	±0.1	±0.2	±0.3	±0.5	Process:
Scale:	1W:	Drawn:	Checked:	Date:	Material:
1:1	--	--	R.N.	19/05/2023	--
Dimension in mm		Replaces the:		Derived from:	Weight:
		M-04139-01			gr
		Description:		Cod. Mod:	
		KIT CONTENITORE MODULBOX XTS 12M53-A		--	
		KIT ENCLOSURE MODULBOX XTS 12M53-A		Rev.:	
		Drawing ref. 3_250_00123		1	
		italtronic.com		A1	

NO COMPONENTS AREA