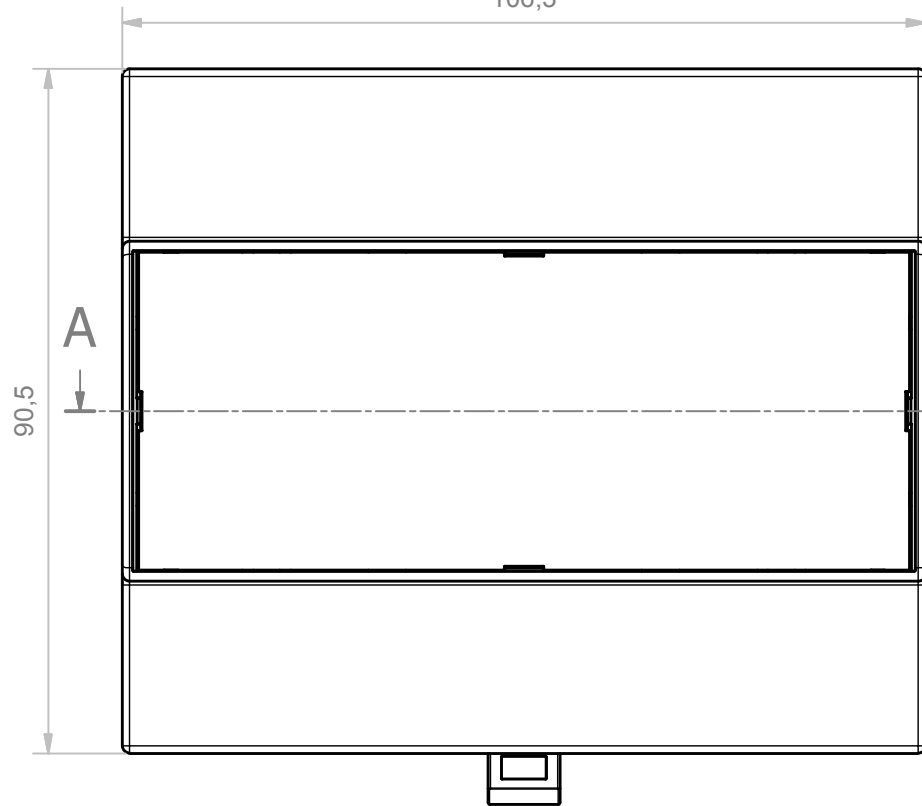
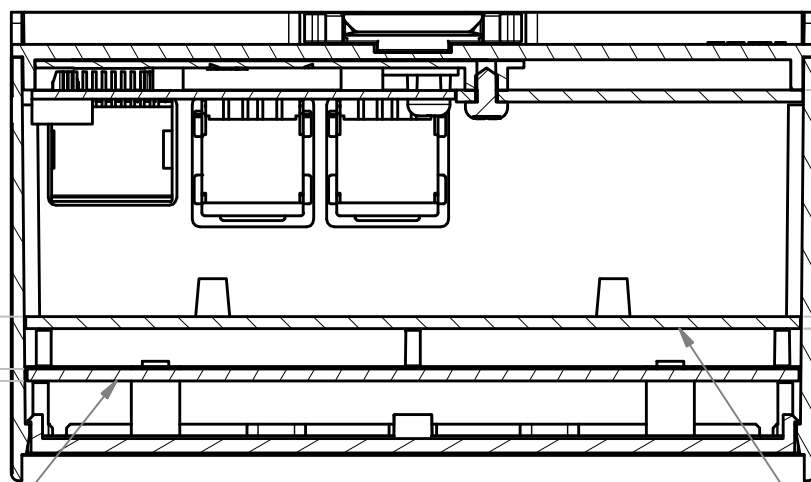


106,3

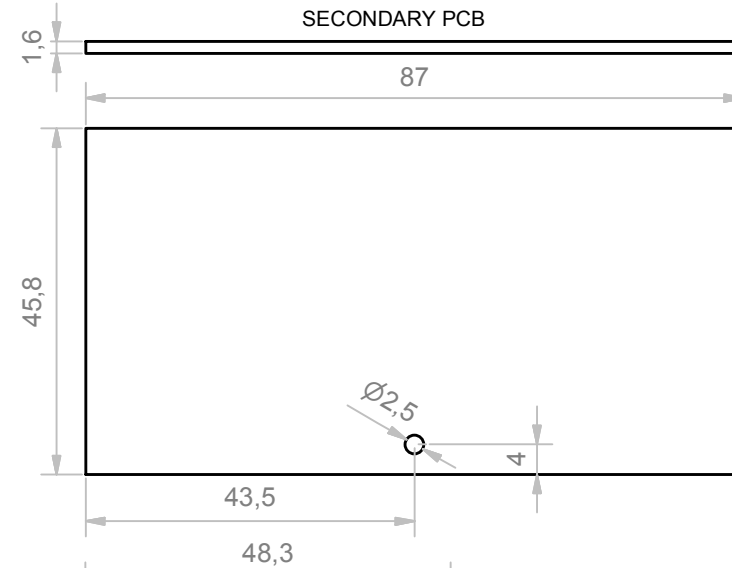


A-A (1:1)

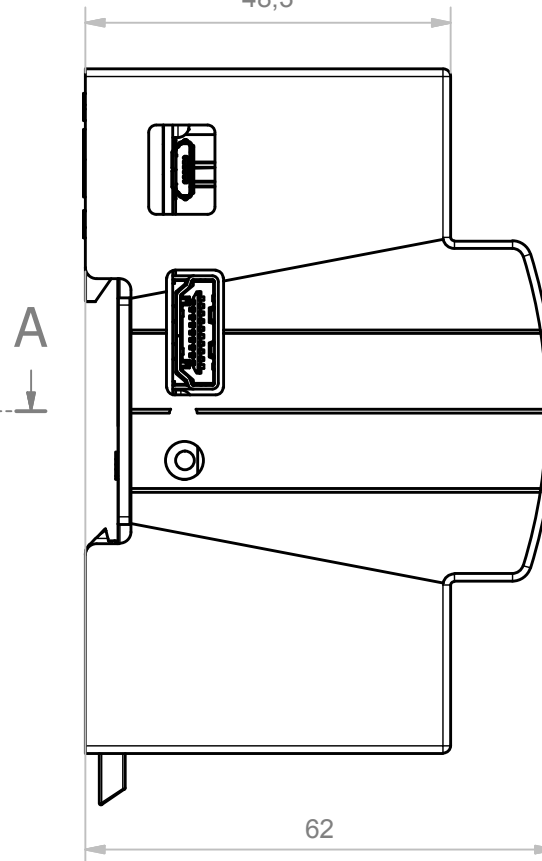


PCB-C

PCB-B

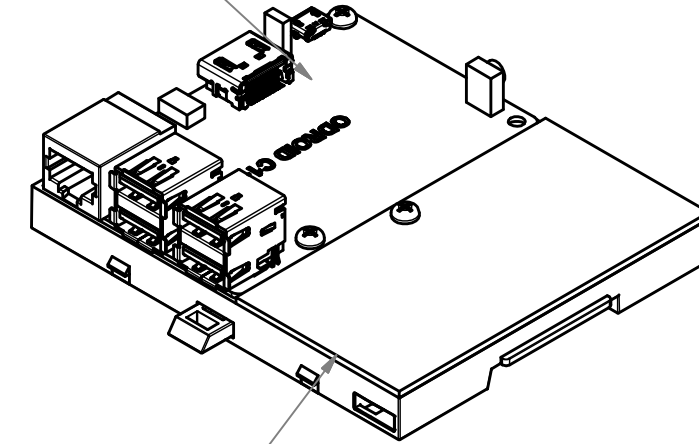


SECONDARY PCB

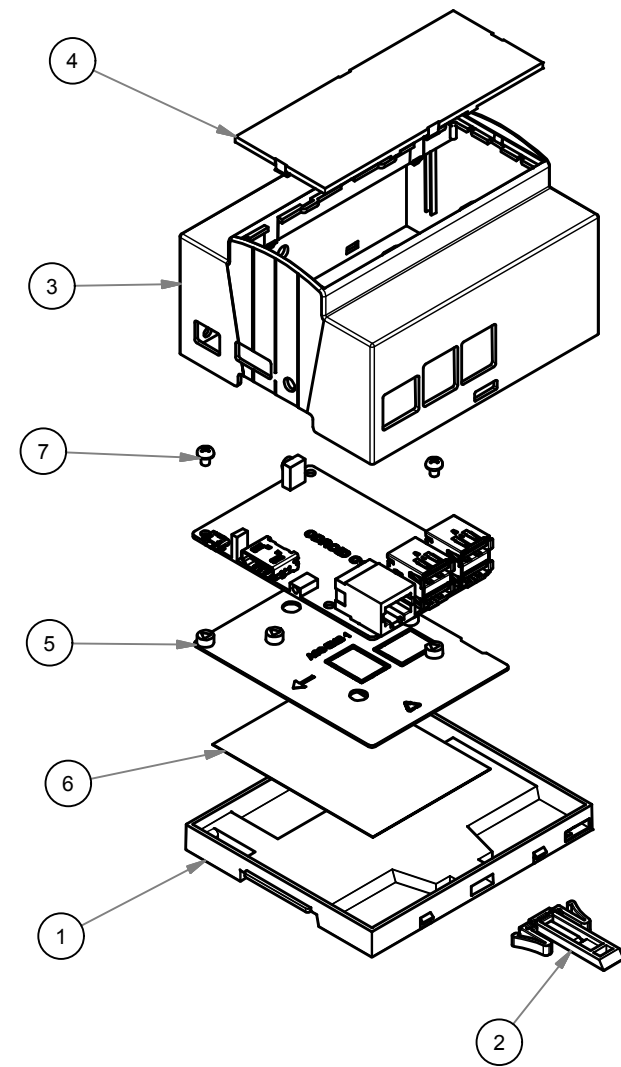
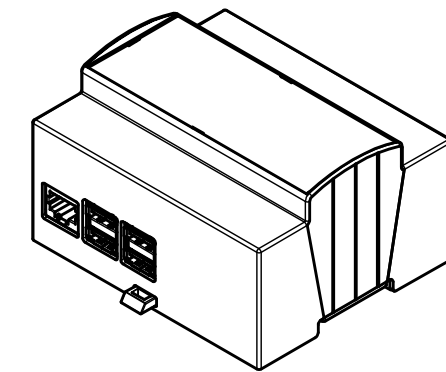


PCB TYPE	PCB DIMENS	TOLERANCE
B	102,5 x 86,4	+/- 0.1 mm
C	102,1 x 42,0	+/- 0.1 mm

PCB ODROID C1+



SECONDARY PCB



RIF.	Q.TY	DESCRIPTION	DRAWING
1	1	BASE MODULBOX XT/XTS - 6M	1.001.01991
2	1	MODULAR HOOK LONG	1.001.01900
3	1	BODY 6M53-C XTS ODROID C1+	1.001.06464
4	1	PANEL 6M WITHOUT FRAME	1.001.00155
5	1	ACCESSORY FOR BASE EMBEDDED EMB1	2.050.00001
6	1	ADHESIVE FOR ACCESSORY BASE EMBEDDED	2.050.00005
7	3	SCREW 2.9 X 4.5 TC	8.100.00013

General Tolerance UNI EN 22768/1 Media (m)				
from 0.5 to 3	from 3 to 6	from 6 to 30	from 30 to 120	from 120 to 400
± 0.1	± 0.1	± 0.2	± 0.3	± 0.5
Scale: 1:1	Sheet nr.: 1/1	Drawn: N.R.	Checked: F.F.	Date: 21/05/2018
Dimension in mm		Material:	Weight:	Volume:
		Description: KIT 6M XTS ODROID C1+ CON ACCESSORIO BASE EMBEDDED KIT 6M XTS ODROID C1+ WITH ACCESSORY BASE EMBEDDED		Rev. 01
www.italtronic.com		3.050.00016		
techcare@italtronic.com				

21/05/2018 N.R. Updated cartouche with new code (code passed M-07829-00). Added views.

RESERVED PROPERTY: The present drawing cannot be reproduced or communicated to 3rd parties, even partially, without the authorization of ITALTRONIC Srl. Italtronic reserves to protect its own rights according to the law.