

General information:  
 - Workpiece zero point for mechanical processing  
 - Minimum recommended radius for machining = R1.0 mm  
 - Mounting rail like EN 60715: TH 35-7.5 or TH 35-15  
 - Recommended PCB outline on [www.italtronic.com](http://www.italtronic.com)

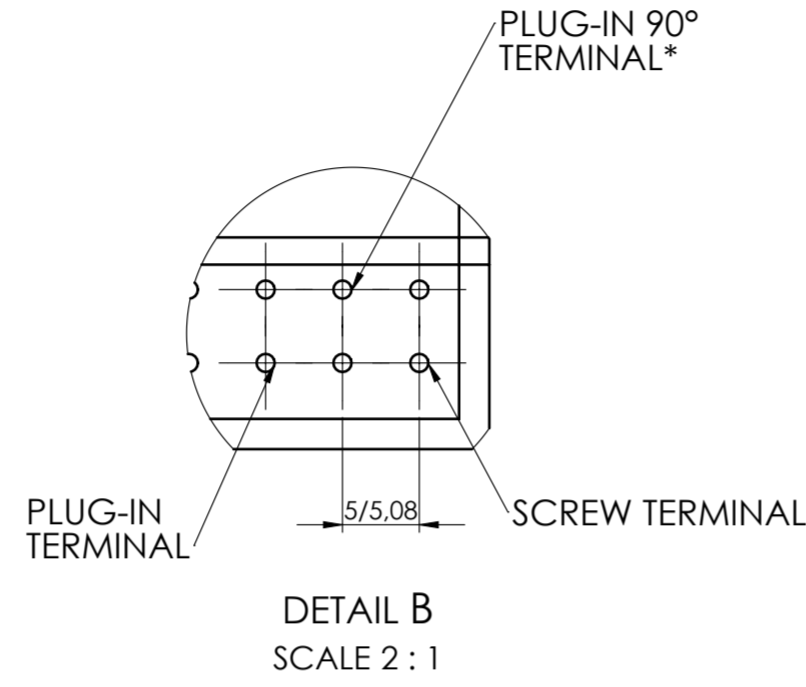
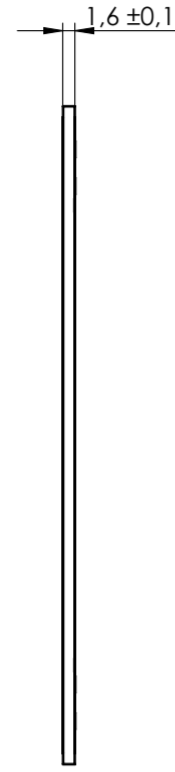
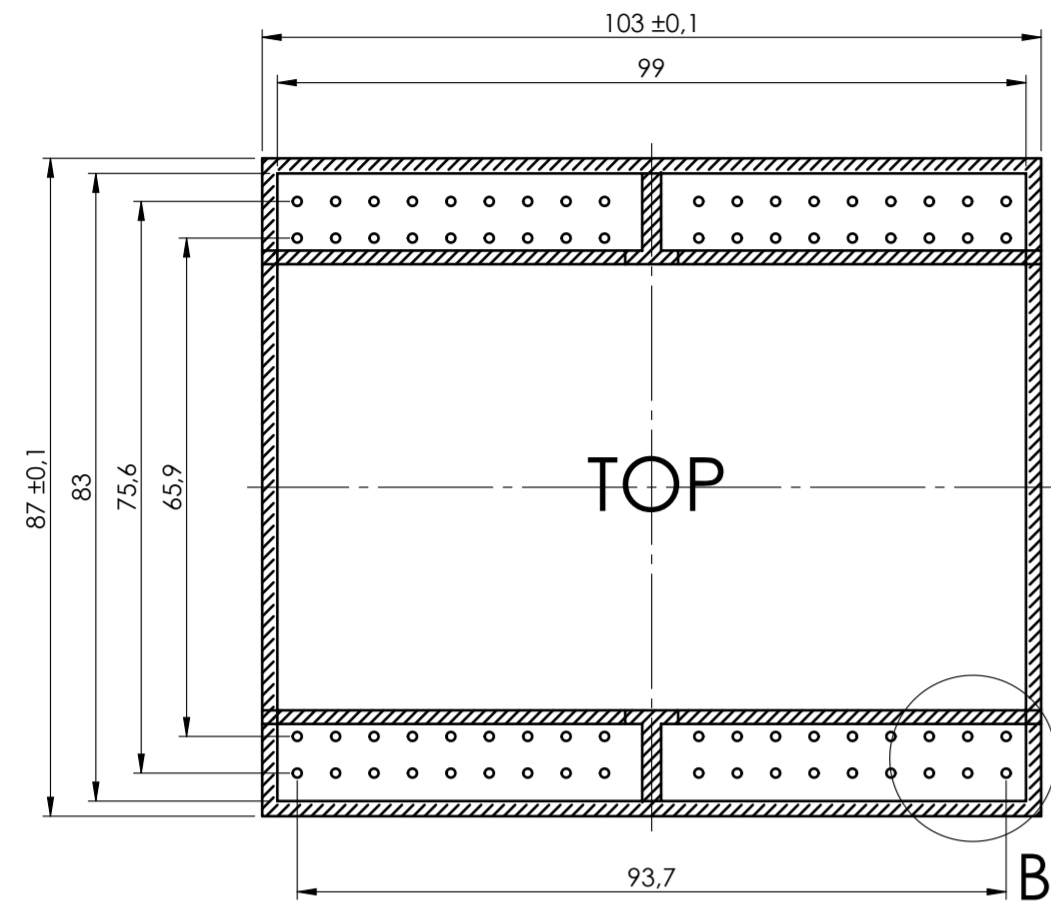
RIF.	Q.TY	DRAWING	DESCRIPTION
1	1	2_250_03656	BODY MODULBOX 6MH53-A
2	1	2_250_00137	BASE MODULBOX XT/XTS - 6M
3	1	2_250_00072	HOOK FOR MODULBOX XT-XTS

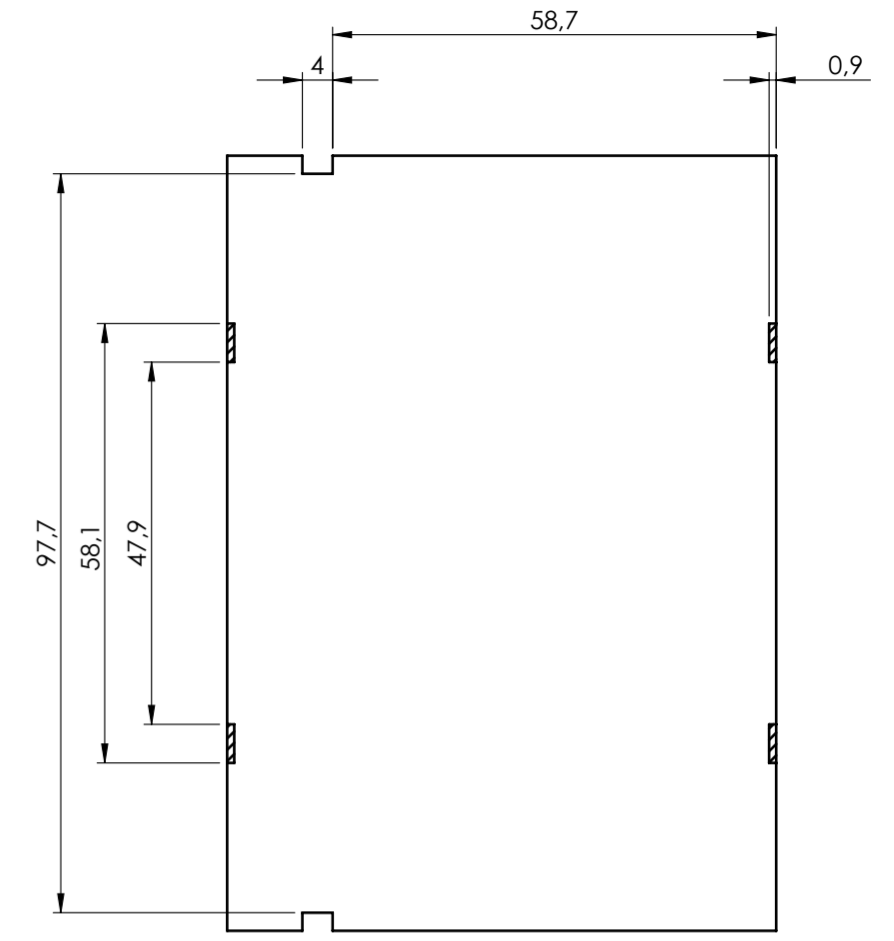
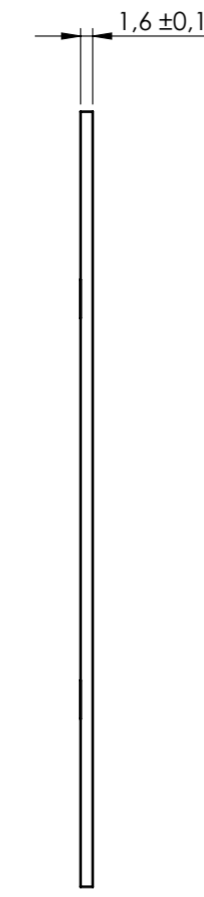
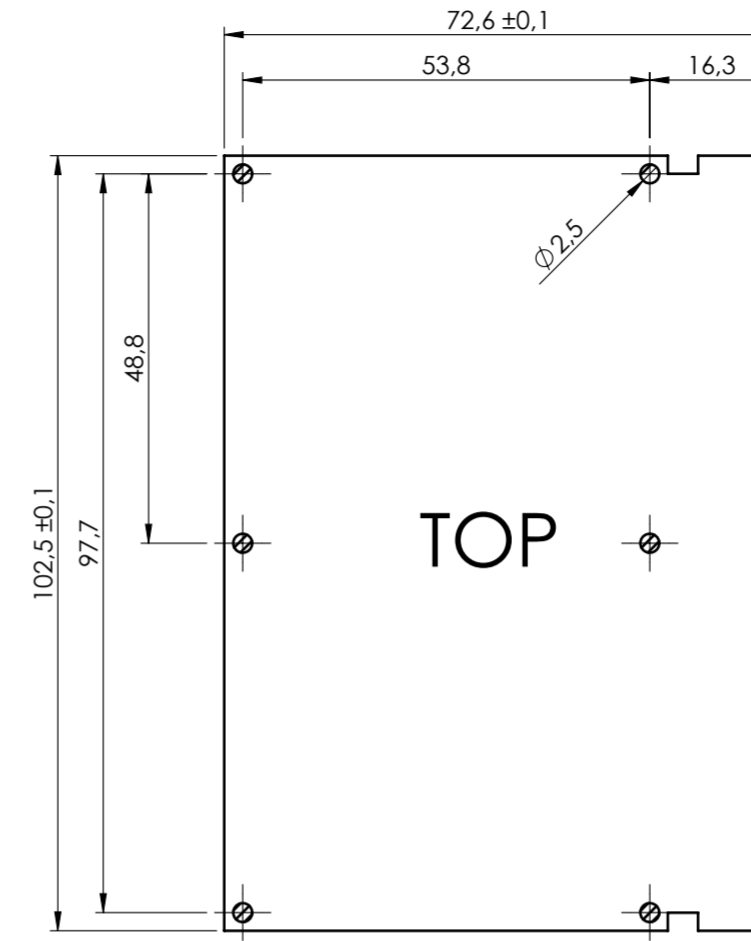
General Tolerance UNI EN 22768/1 Media (m)					Sheet:
from 0.5 to 3	from 3 to 6	from 6 to 30	from 30 to 120	from 120 to 400	1
± 0.1	± 0.1	± 0.2	± 0.3	± 0.5	
Scale:	IM:	Drawn:	Checked:	Date:	Material:
1:1	--		R.N.	28/04/2023	Process:
Dimension in mm		Replaces the:		Derived from:	Weight:
		M-04106-01			gr
Description:					Cod. Mold:
KIT CONTENITORE MODULBOX XTS 6MH53-B					--
KIT ENCLOSURE MODULBOX XTS 6MH53-B					
Drawing nr.:					Rev.:
3_250_00090					- A2

Max height of the terminal:  
 Modulbox XT/XTS: 18.5 mm  
 Modulbox ONE: 20 mm

PCB A

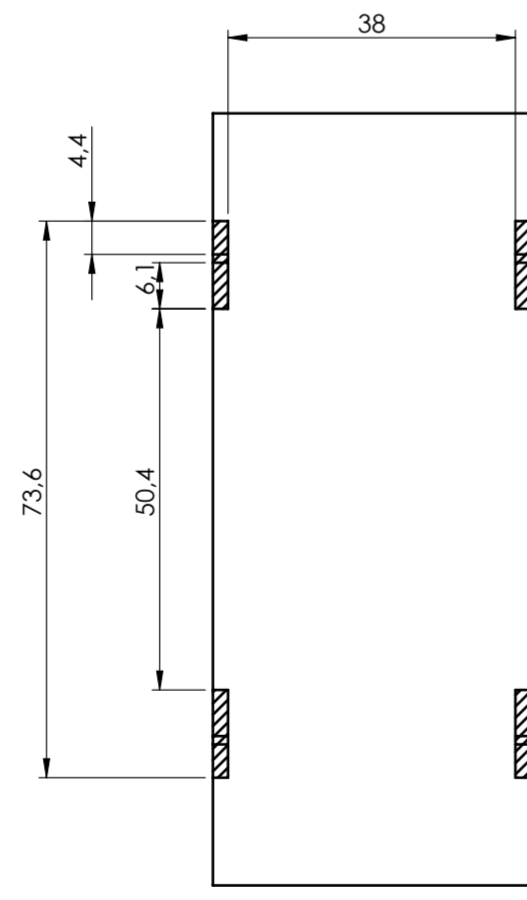
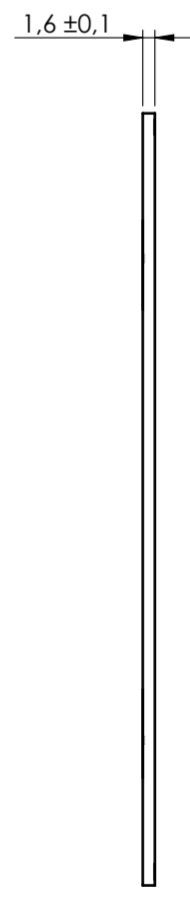
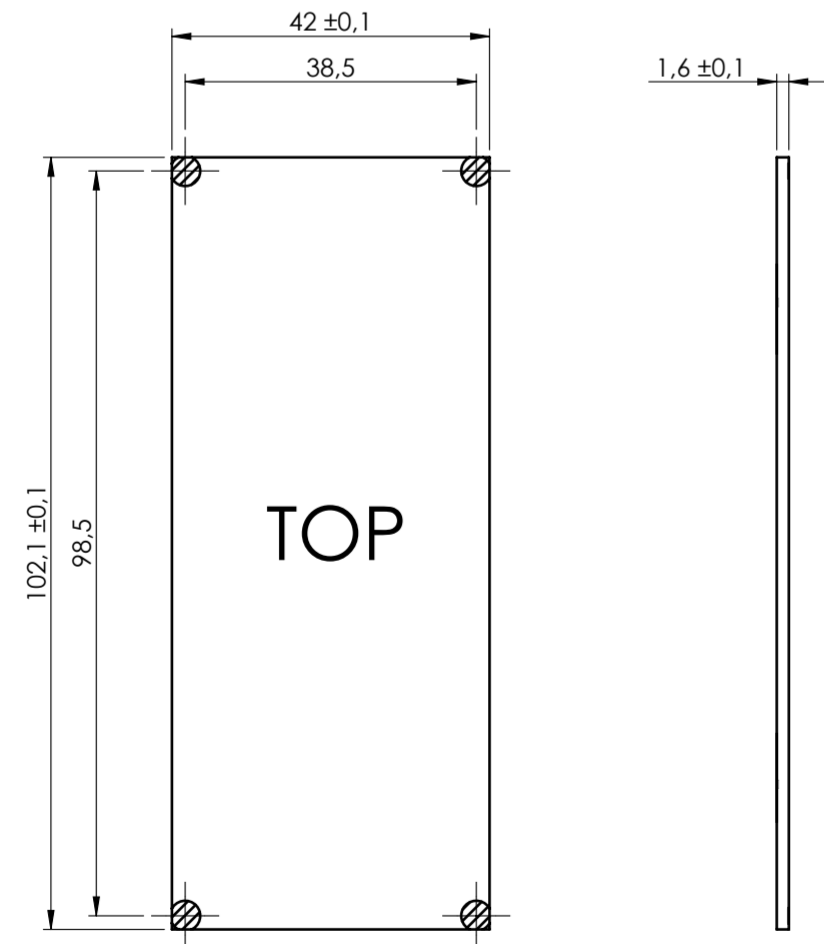


PCB B

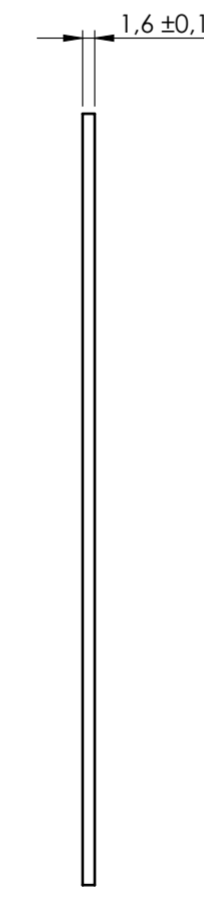
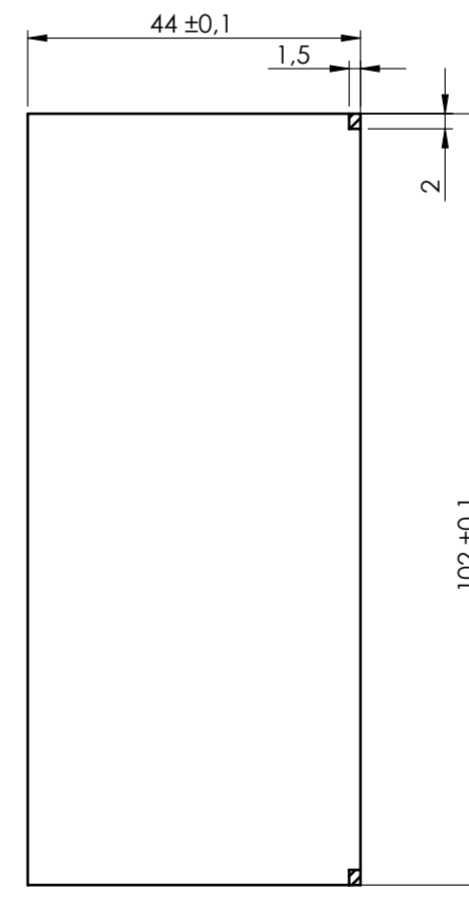


\*To use the PLUG-IN terminals in Modulbox ONE use plug-in adapter P05000003E (5/5.08 pitch) and P05000004E (7.5/7.62 pitch)

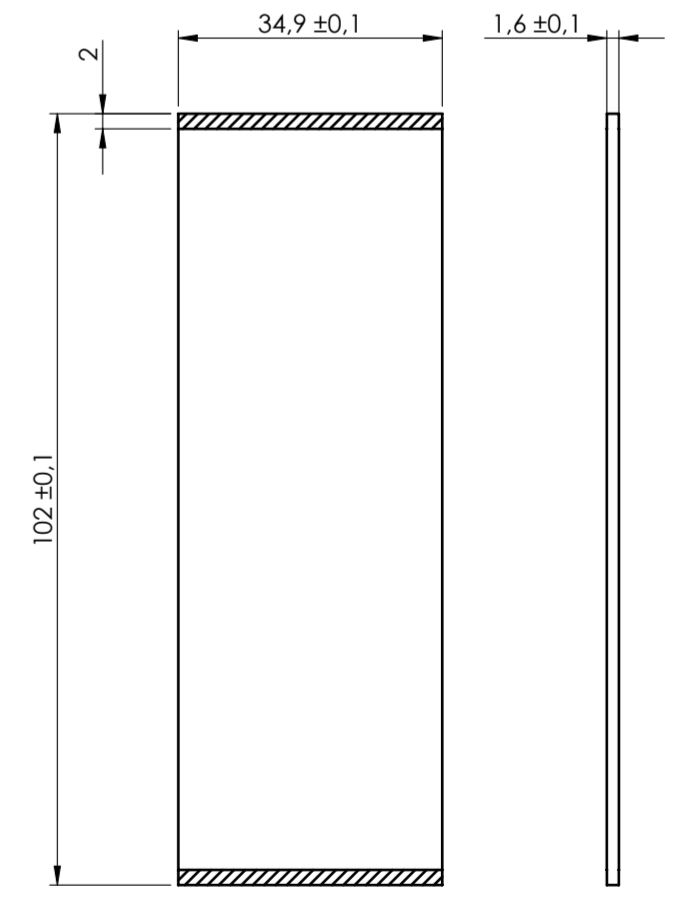
PCB C



PCB V2



PCB V1



General Tolerance UNI EN 22768/1 Media (m)					Sheet:
from 0.5 to 3 ± 0.1	from 3 to 6 ± 0.1	from 6 to 30 ± 0.2	from 30 to 120 ± 0.3	from 120 to 400 ± 0.5	PCB
Scale: 1:1	IM: --	Drawn: --	Checked: R.N.	Date: 28/04/2023	Process: --
Dimension in mm		Replaces the: M-04106-01	Derived from: --	Weight: gr	Cod. Mold: --

**italtronic**  
 enclosures for electronics  
 italtronic.com

Description:  
 KIT CONTENITORE MODULBOX XTS 6MH53-B  
 KIT ENCLOSURE MODULBOX XTS 6MH53-B  
 Drawing nr.: **3\_250\_00090**

Rev.: - A2

NO COMPONENTS AREA