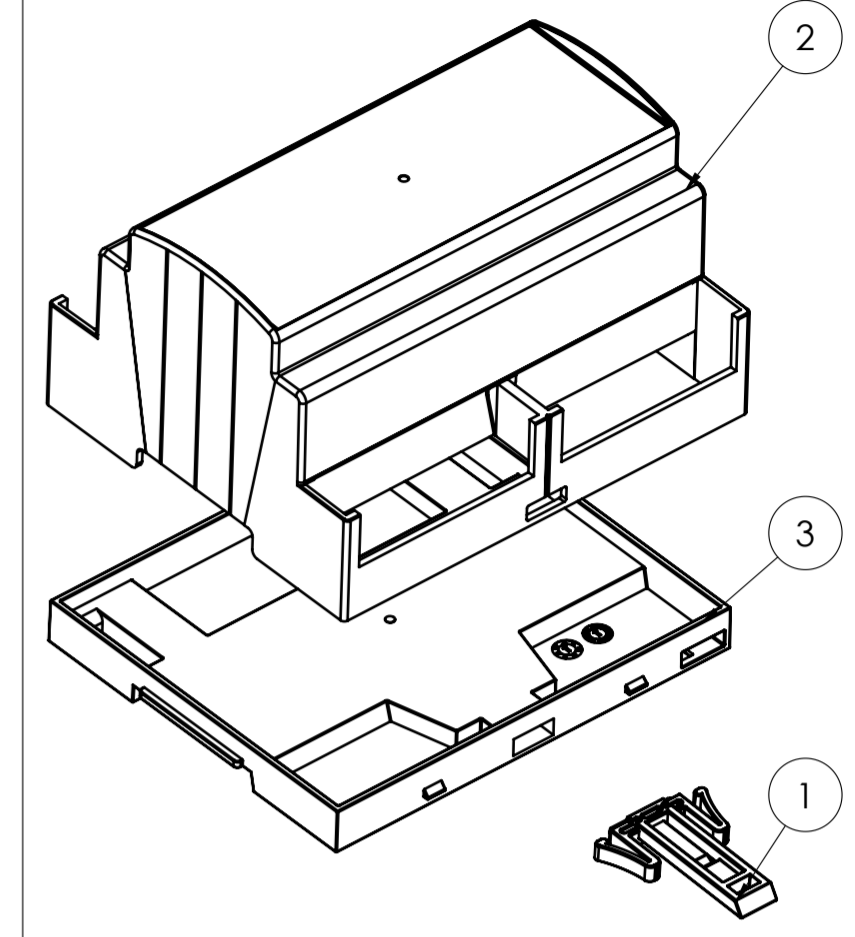
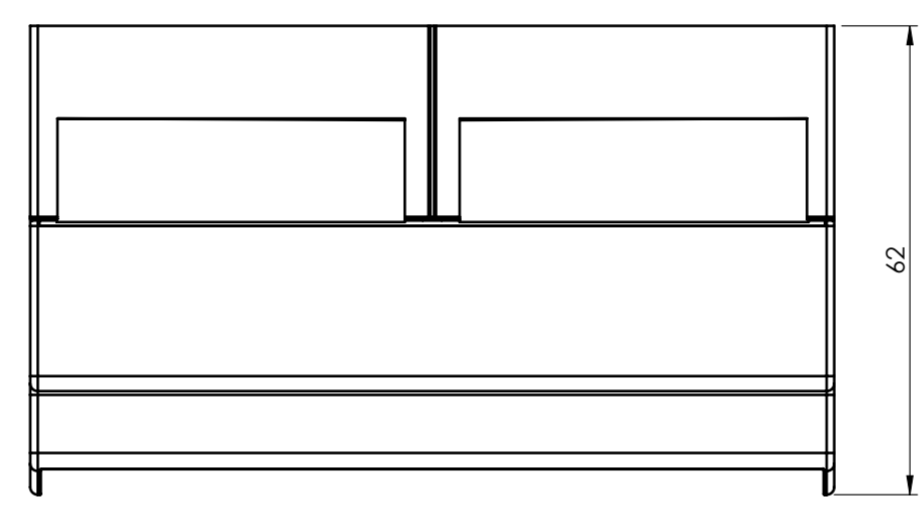
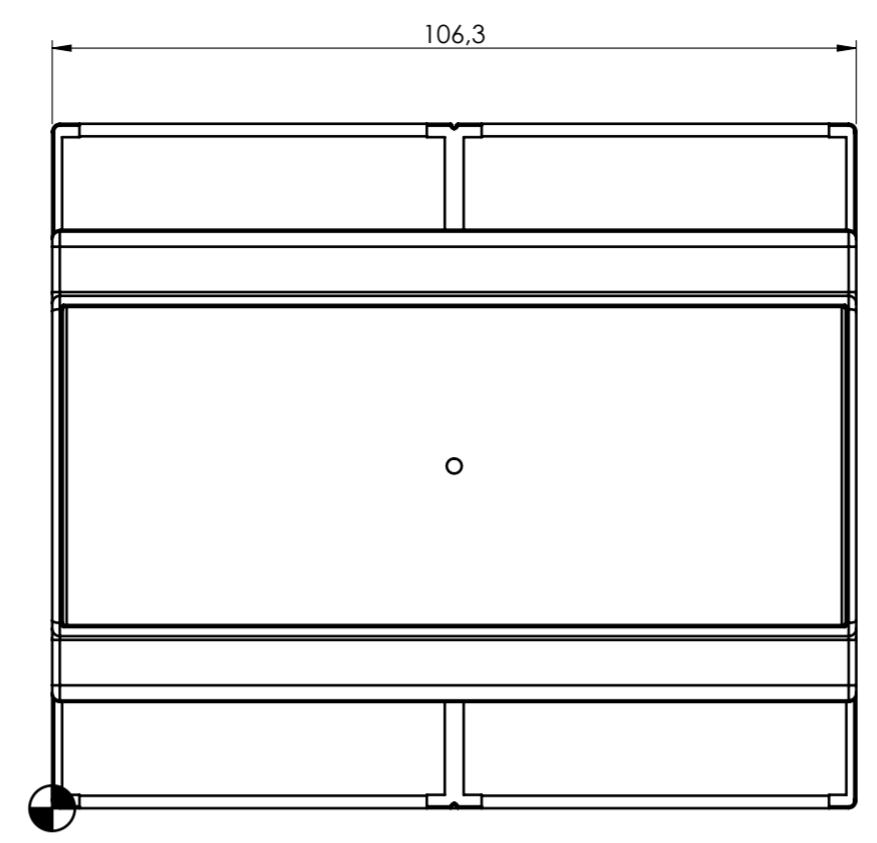
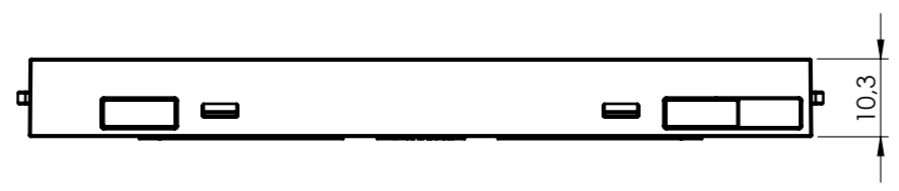
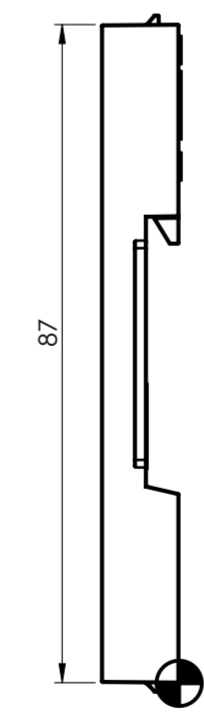
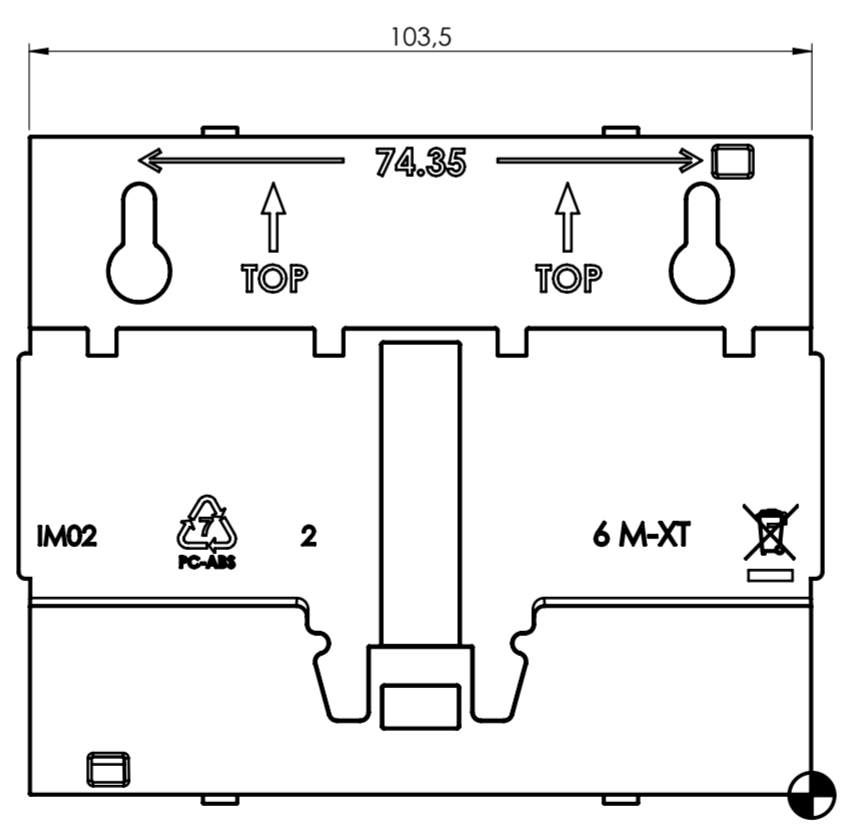


BODY ENCLOSURE

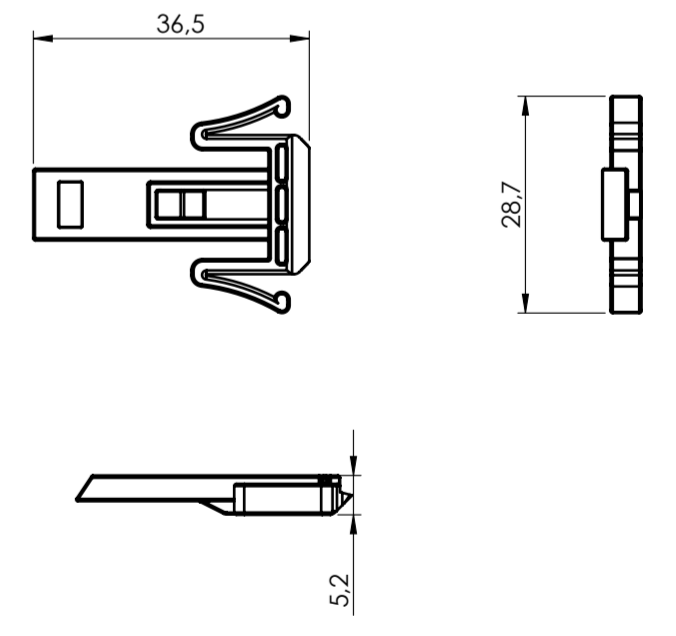


BASE



General information:
 - Workpiece zero point for mechanical processing
 - Minimum recommended radius for machining = R1.0 mm
 - Mounting rail like EN 60715: TH 35-7.5 or TH 35-15
 - Recommended PCB outline on www.italtronic.com

HOOK



RIF.	Q.TY	DRAWING	DESCRIPTION
1	1	2_250_00072	HOOK FOR MODULBOX XT-XTS
2	1	2_250_03662	BODY MODULBOX XTS 6MC53-A
3	1	2_250_00137	BASE MODULBOX XT/XTS - 6M

General Tolerance UNI EN 22768/1 Media (m)

from 0.5 to 3 ± 0.1	from 3 to 6 ± 0.1	from 6 to 30 ± 0.2	from 30 to 120 ± 0.3	from 120 to 400 ± 0.5	Sheet: 1
------------------------	----------------------	-----------------------	-------------------------	--------------------------	-------------

Scale: 1:1

Drawn:	Checked:	Date:	Material:	Process:
	R.N.	02/05/2023		

Derived from: R.N. 02/05/2023

Weight: gr

Cod. Mold: --

Dimension in mm

italtronic
enclosures for electronics
italtronic.com

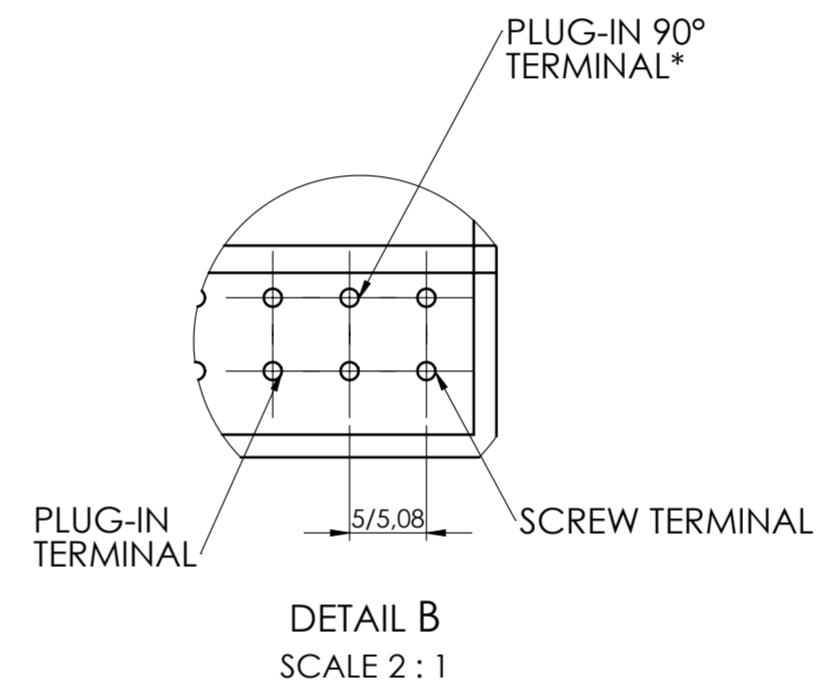
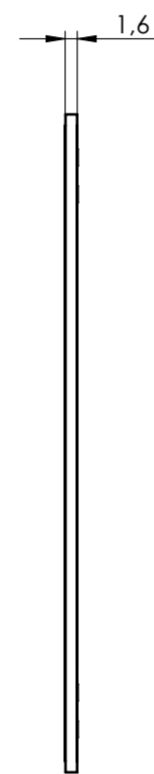
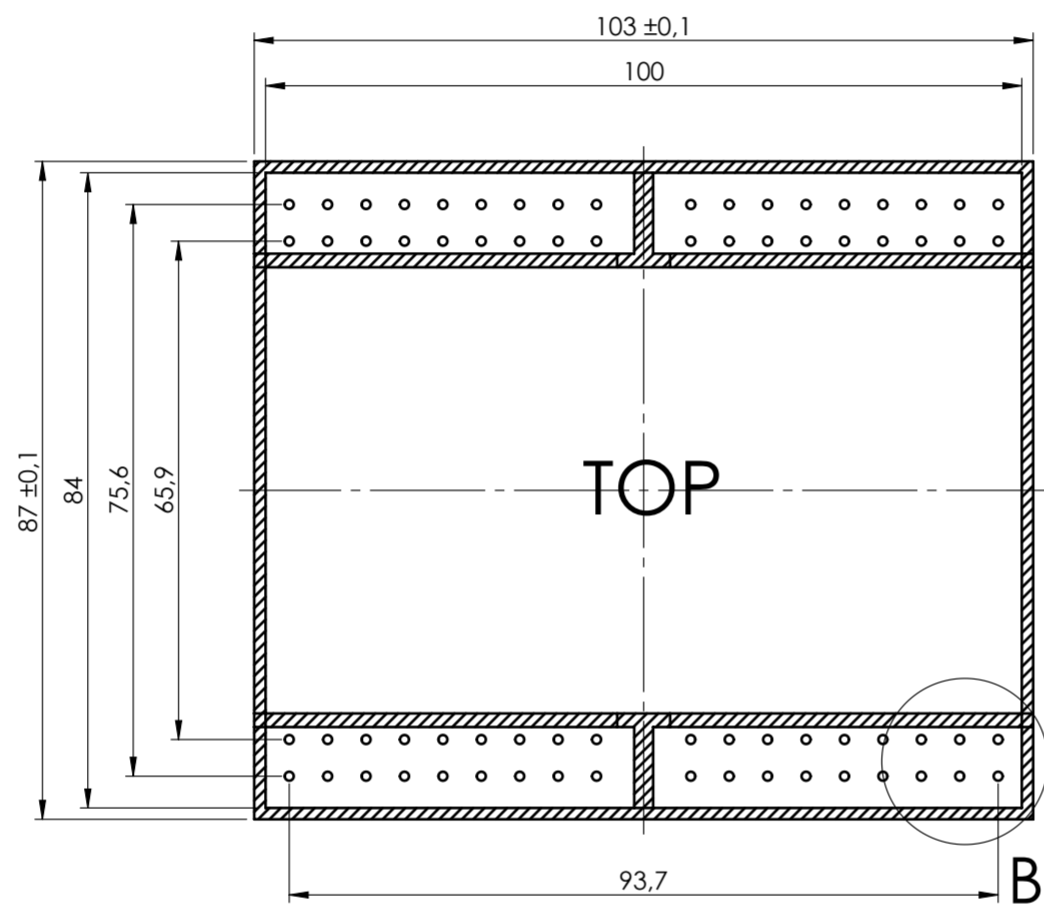
Description:
KIT CONTENITORE MODULBOX XTS 6MC53-A CHIUSO
KIT ENCLOSURE MODULBOX XTS 6MC53-A CLOSED

Drawing nr.: **3_250_00095**


Rev.: 00 A2

PCB A

Max height of the terminal:
 Modulbox XT/XTS: 18.5 mm
 Modulbox ONE: 20 mm



**To use the PLUG-IN terminals in Modulbox ONE use plug-in adapter P05000003E (5/5.08 pitch) and P05000004E (7.5/7.62 pitch)*

General Tolerance UNI EN 22768/1 Media (m)					Sheet:
from 0.5 to 3 ± 0.1	from 3 to 6 ± 0.1	from 6 to 30 ± 0.2	from 30 to 120 ± 0.3	from 120 to 400 ± 0.5	PCB
Scale: 1:1	Drawn:	Checked: R.N.	Date: 02/05/2023	Material:	Process:
Dimension in mm	The present drawing cannot be reproduced or communicated to 3rd parties, even partially, without the authorization of Italtronic. Italtronic reserves the right to modify its drawings according to the law.		Derived from:	Weight: gr	Cod. Mold: --
 enclosures for electronics italtronic.com		Description: KIT CONTENITORE MODULBOX XTS 6MC53-A CHIUSO KIT ENCLOSURE MODULBOX XTS 6MC53-A CLOSED		Drawing nr.:	Rev.:
				3_250_00095	00 A2

NO COMPONENTS AREA