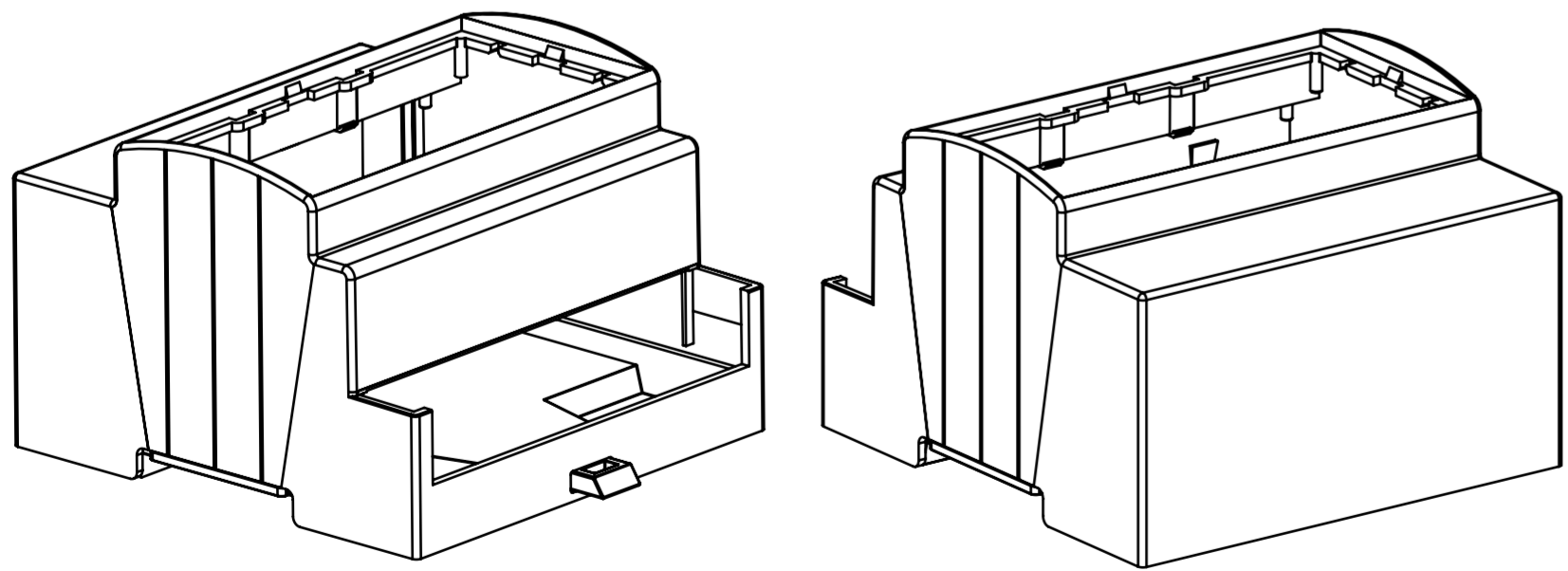
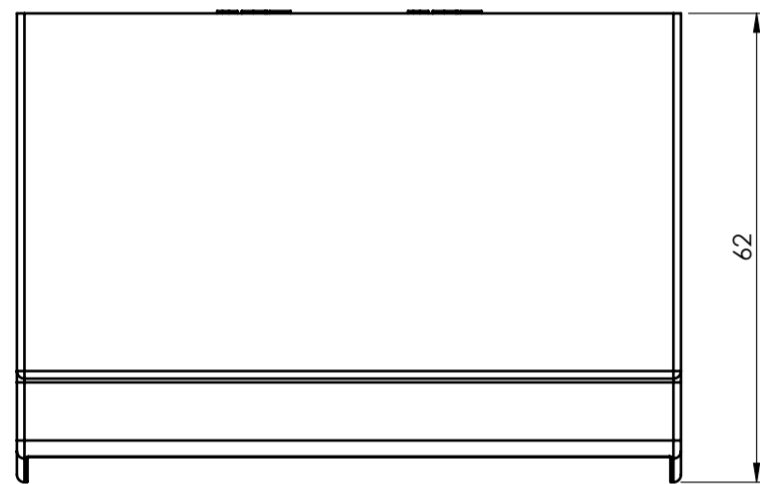
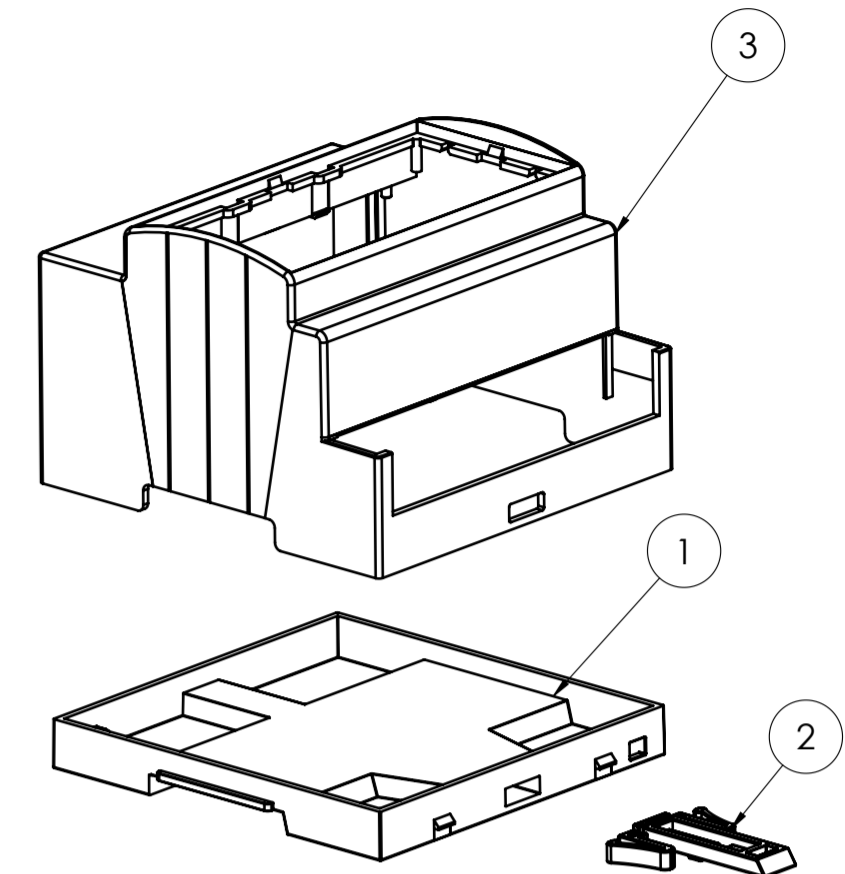
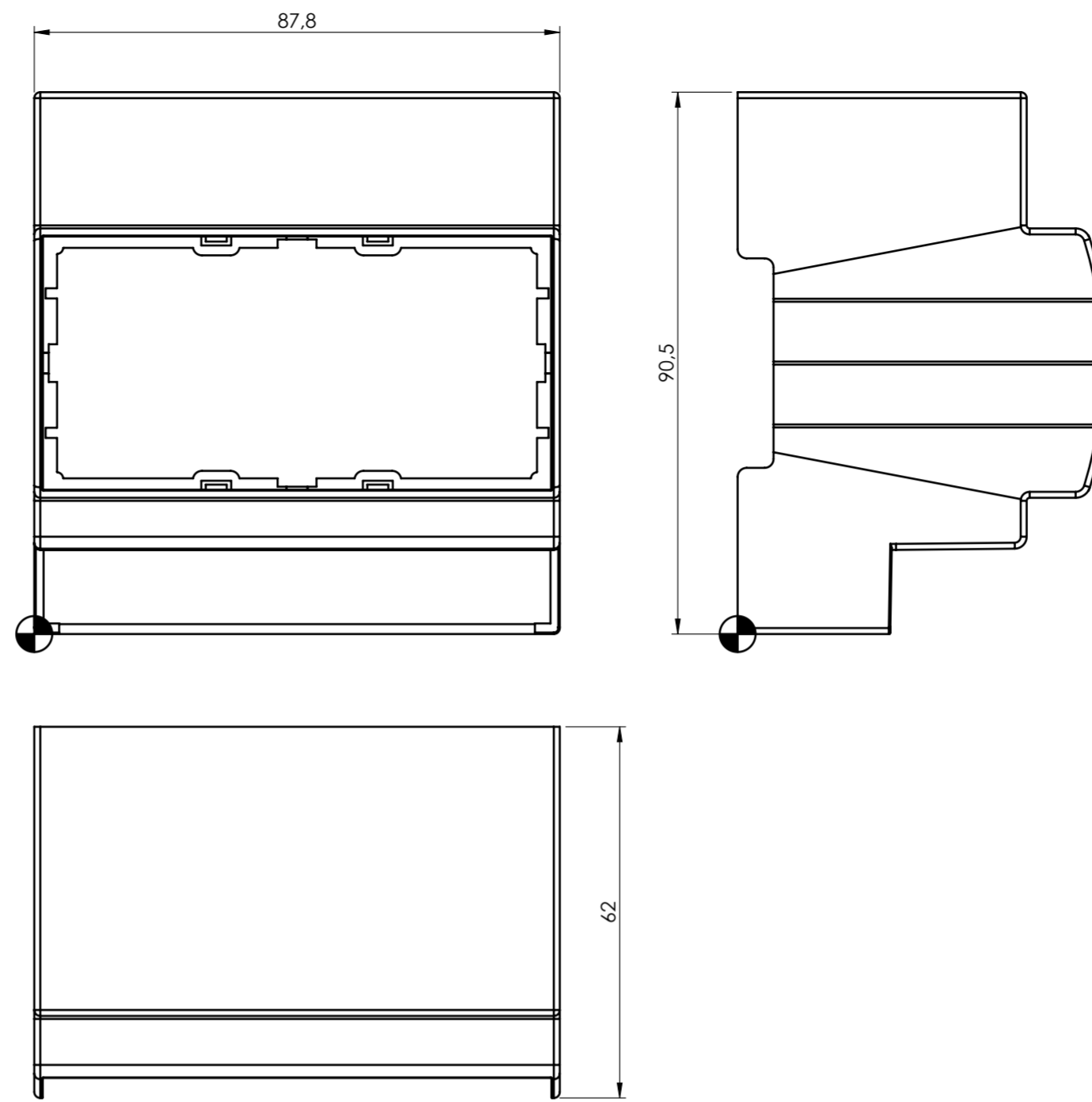


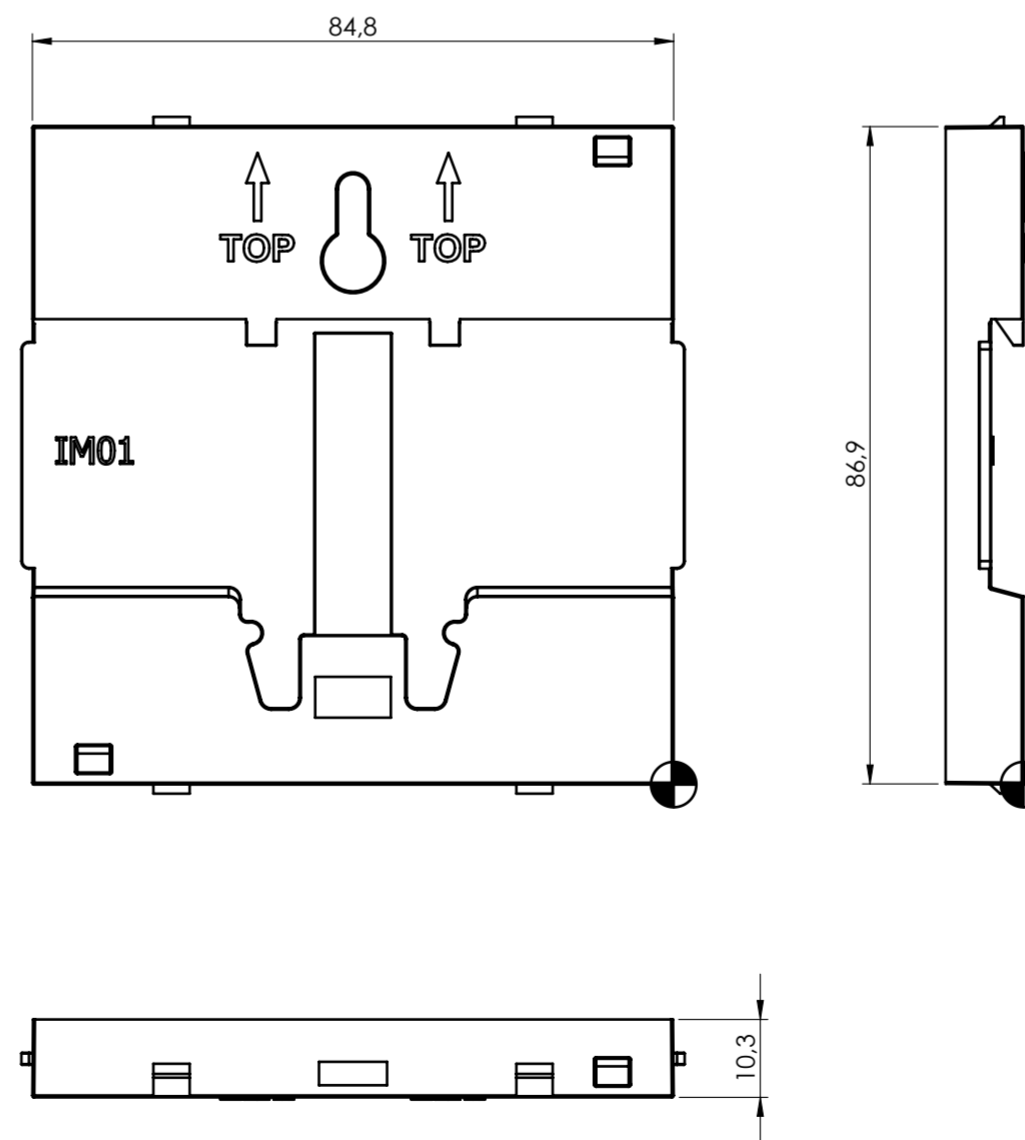
SECTION A-A



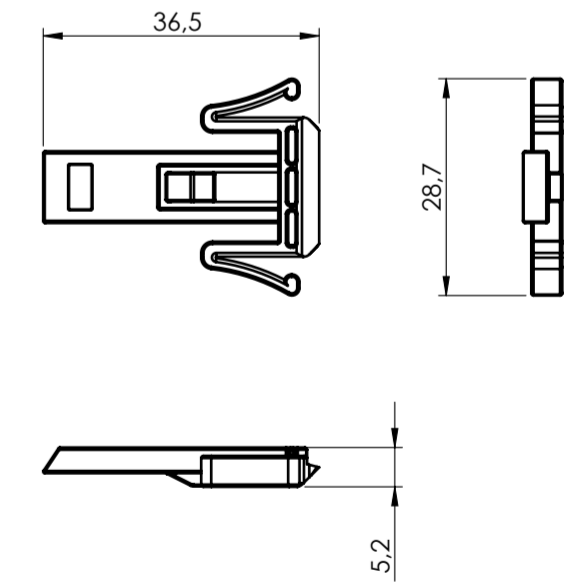
BODY ENCLOSURE



BASE



HOOK



- General information:
- Workpiece zero point for mechanical processing
 - Minimum recommended radius for machining = R1.0 mm
 - Mounting rail like EN 60715: TH 35-7.5 or TH 35-15
 - Recommended PCB outline on www.italtronic.com

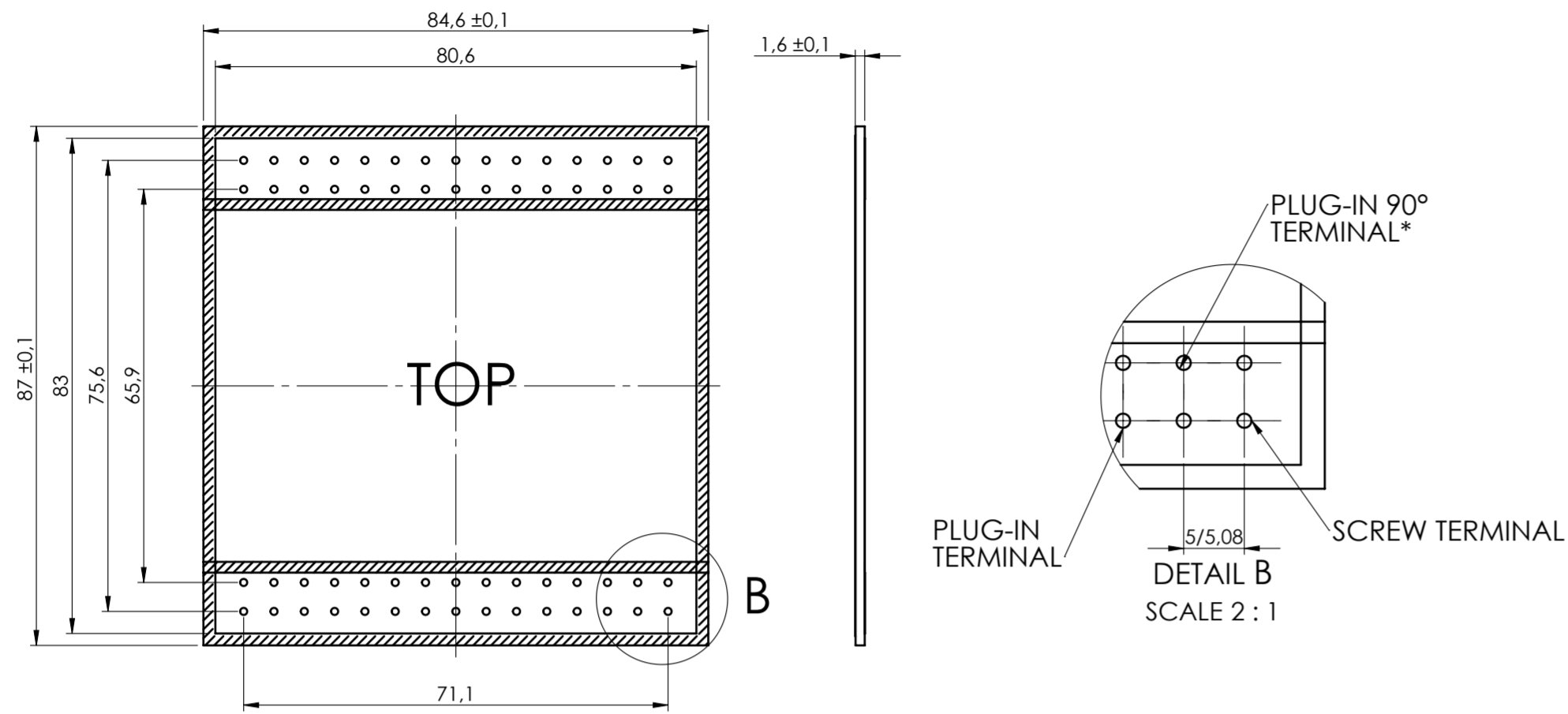
RIF.	Q.TY	DRAWING	DESCRIPTION
1	1	2_250_03678	BASE MODULBOX XT\XTS - 5M
2	1	2_250_00072	HOOK FOR MODULBOX XT\XTS
3	1	2_250_03675	BODY MODULBOX XTS 5MH53-B

General Tolerance UNI EN 22768/1 Media (m)					Sheet:
from 0.5 to 3	from 3 to 6	from 6 to 30	from 30 to 120	from 120 to 400	1
± 0.1	± 0.1	± 0.2	± 0.3	± 0.5	
Scale:	IM:	Drawn:	Checked:	Date:	Material:
1:1	--		R.N.	03/05/2023	
	Dimension in mm		Replaces the:	Derived from:	Weight:
			M-04094-01		gr
Description:					Cod. Mold:
KIT CONTENITORE MODULBOX XTS 5MH53-B					--
KIT ENCLOSURE MODULBOX XTS 5MH53-B					
Drawing nr.:					Rev.:
3_250_00099					- A2

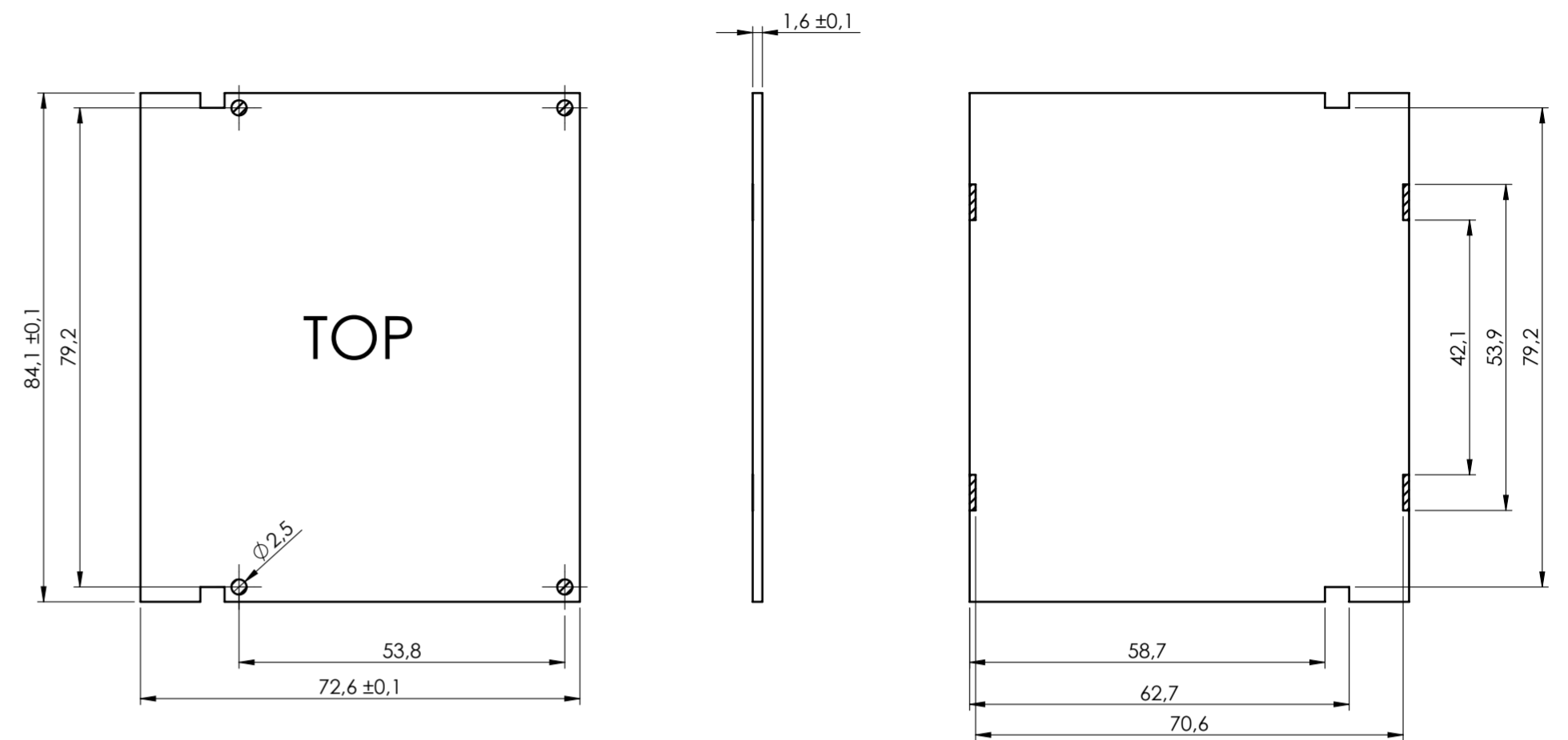


PCB A

Max height of the terminal:
 Modulbox XT/XTS: 18.5 mm
 Modulbox ONE: 20 mm

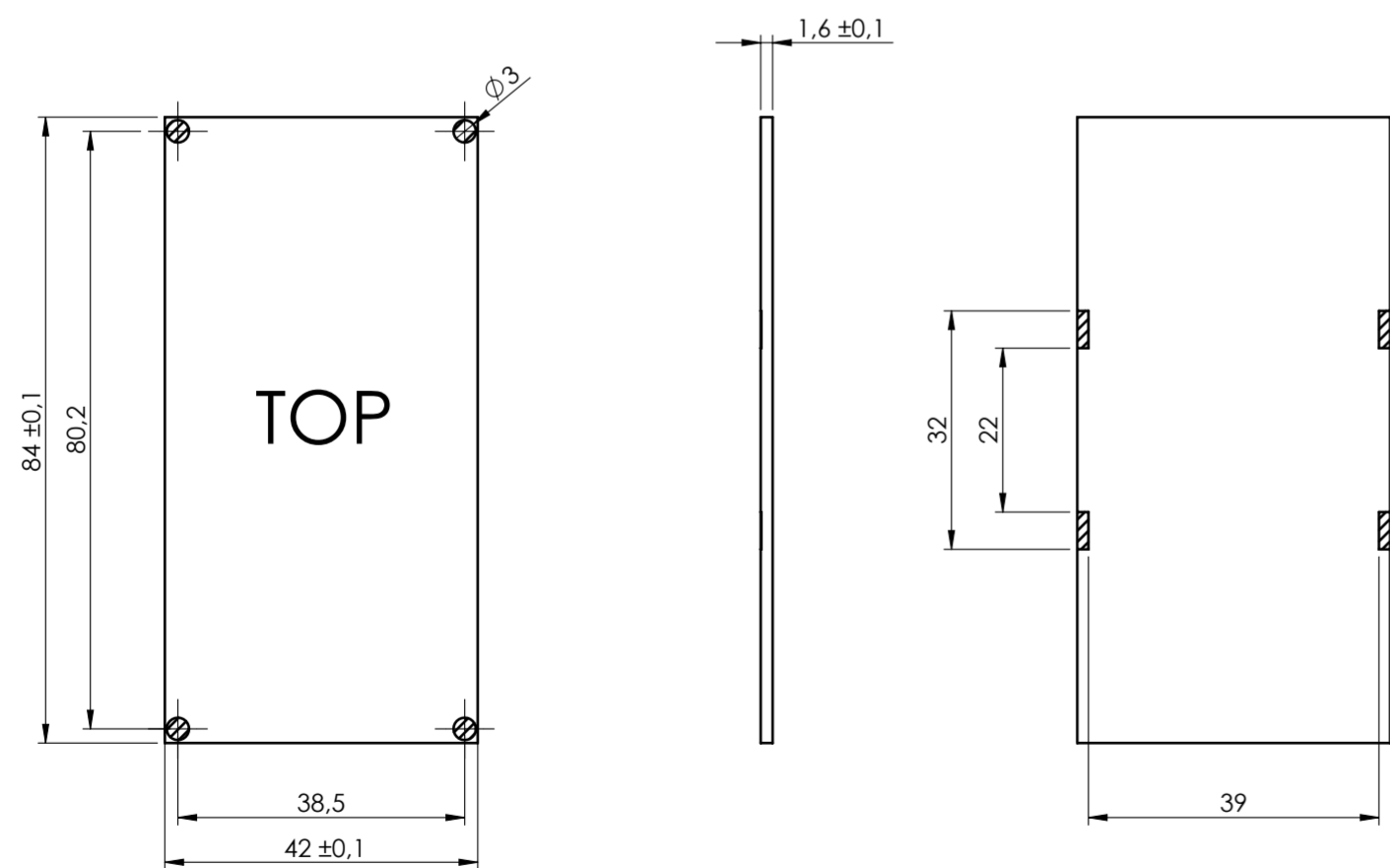


PCB B2

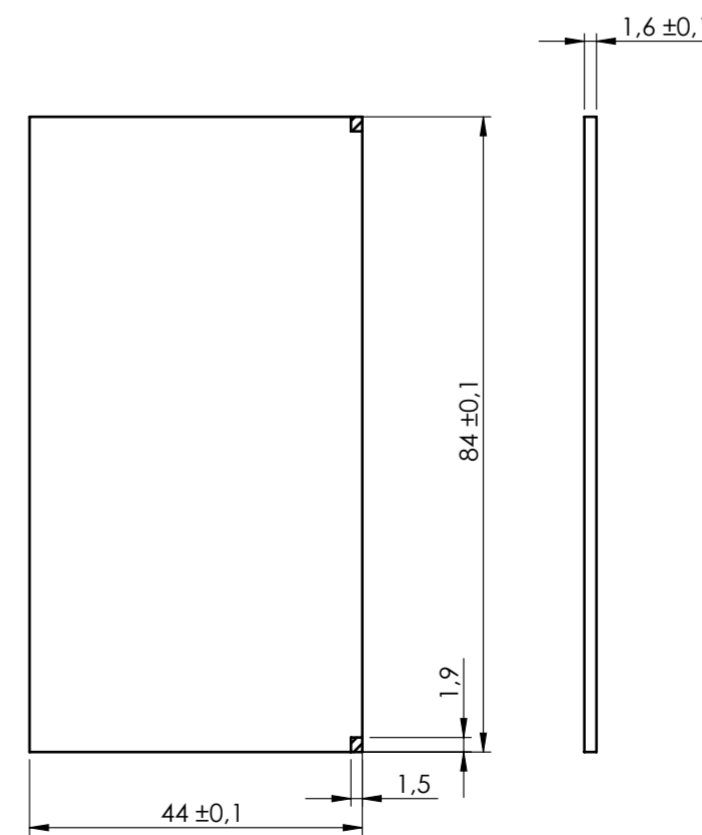


*To use the PLUG-IN terminals in Modulbox ONE use plug-in adapter P05000003E (5/5.08 pitch) and P05000004E (7.5/7.62 pitch)

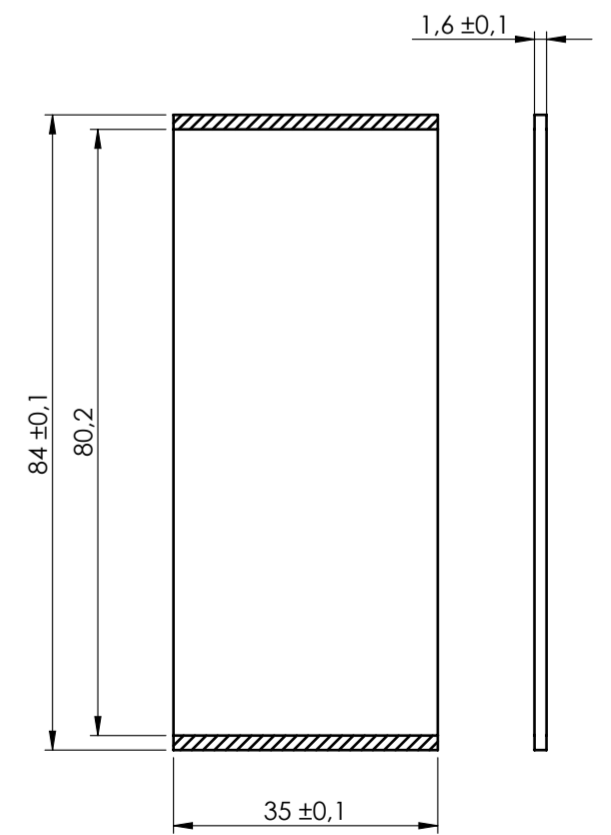
PCB C



PCB V2



PCB V1



General Tolerance UNI EN 22768/1 Media (m)					Sheet:
from 0.5 to 3 ± 0.1	from 3 to 6 ± 0.1	from 6 to 30 ± 0.2	from 30 to 120 ± 0.3	from 120 to 400 ± 0.5	PCB
Scale:	IM:	Drawn:	Checked:	Date:	Material:
1:1	--	--	R.N.	03/05/2023	Process:
Dimension in mm		Replaces the:		Weight:	Cod. Mold:
		M-04094-01		gr	--
italtronic enclosures for electronics italtronic.com					
Description: KIT CONTENITORE MODULBOX XTS 5MH53-B KIT ENCLOSURE MODULBOX XTS 5MH53-B Drawing nr.: 3_250_00099					
					Rev.: - A2

NO COMPONENTS AREA