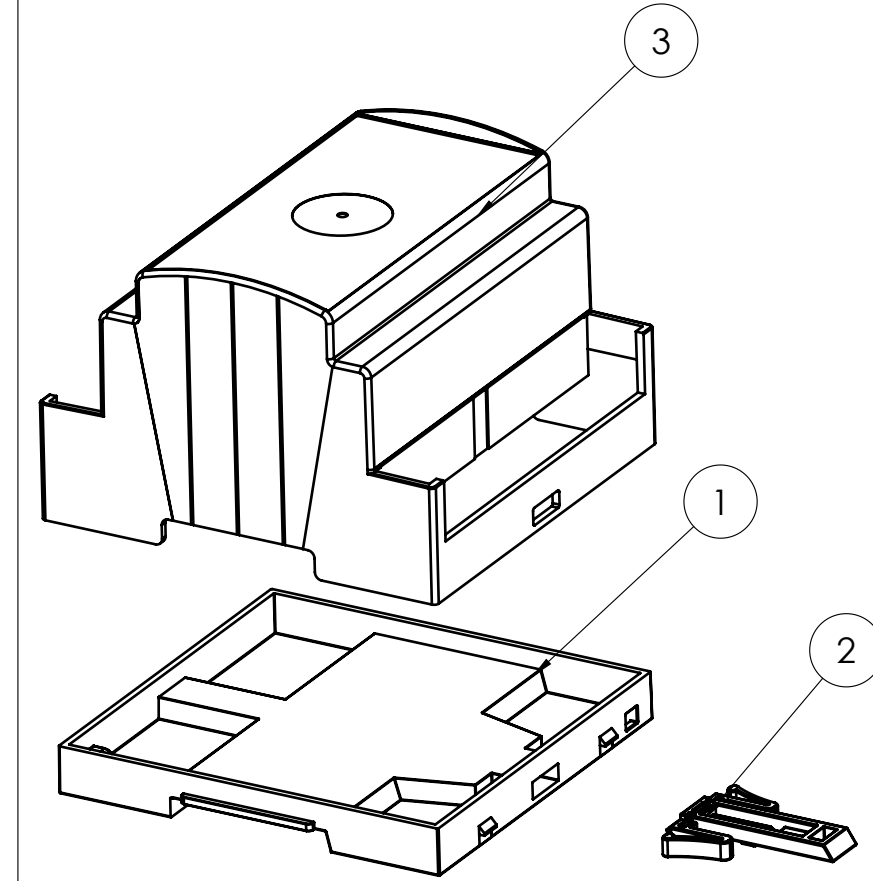
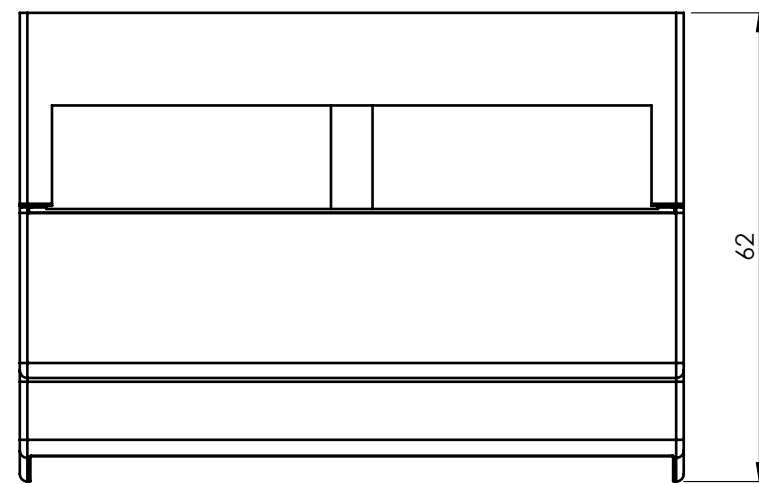
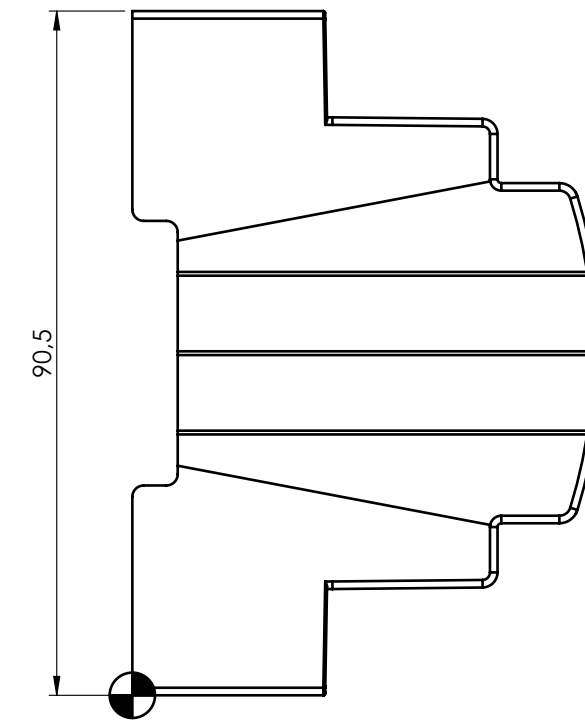
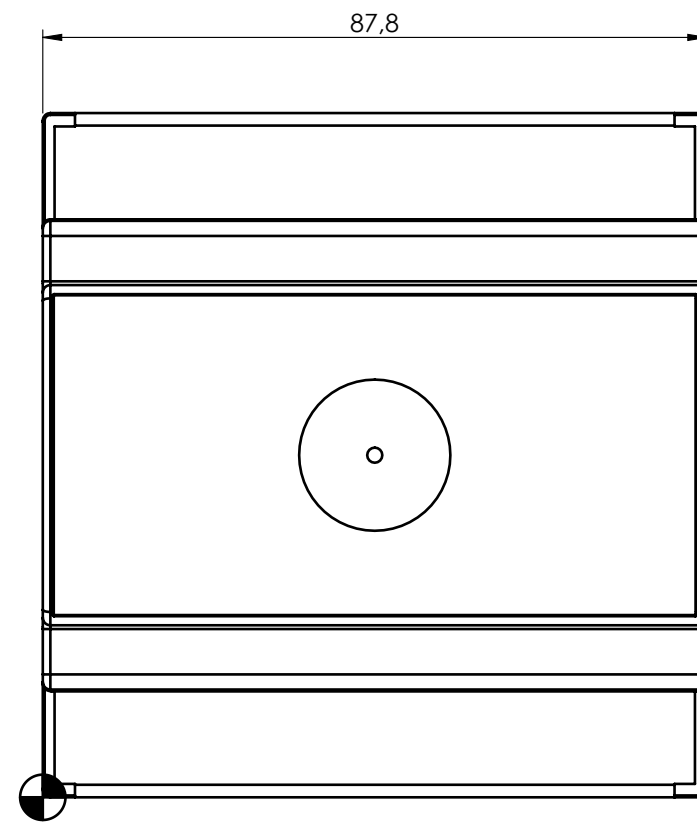
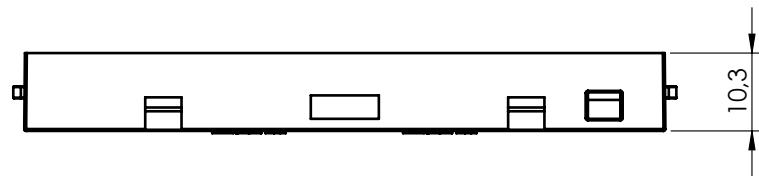
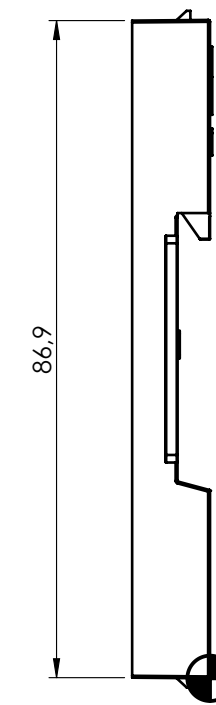
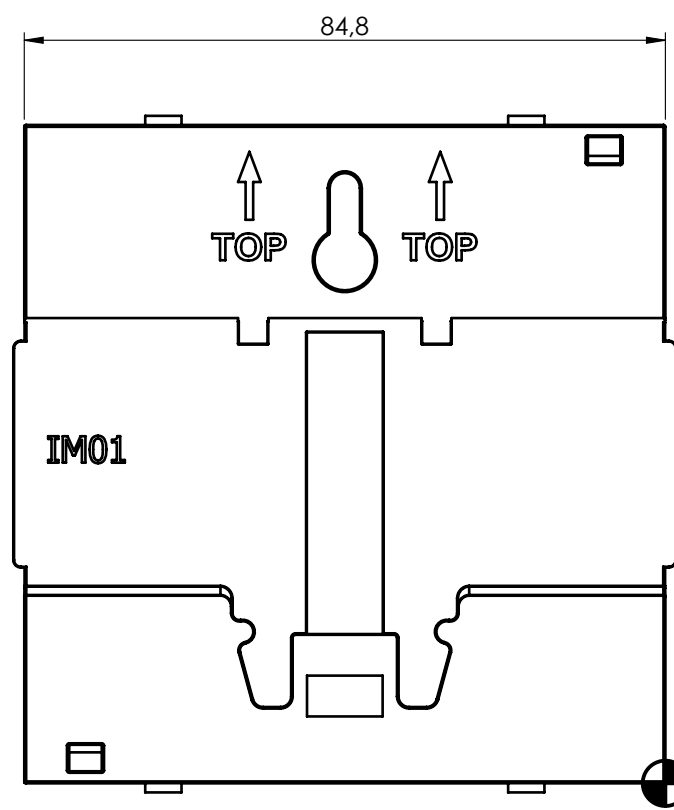


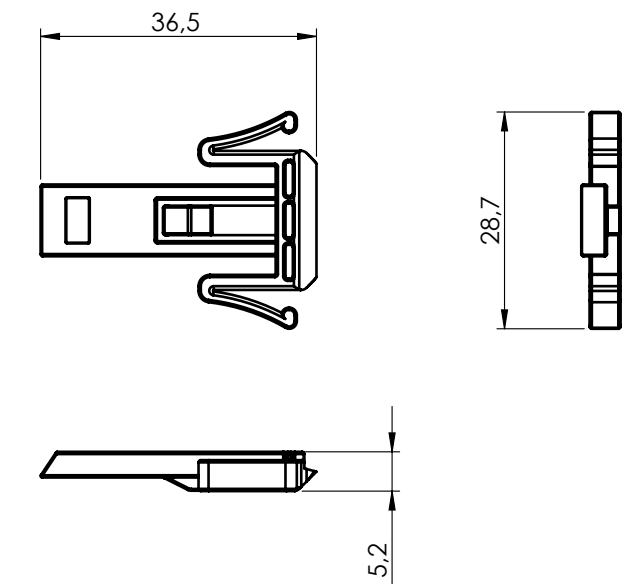
### BODY ENCLOSURE



### BASE



### HOOK



General information:  
 - Workpiece zero point for mechanical processing  
 - Minimum recommended radius for machining = R1.0 mm  
 - Mounting rail like EN 60715: TH 35-7.5 or TH 35-15  
 - Recommended PCB outline on [www.italtronic.com](http://www.italtronic.com)

RIF.	Q.TY	DRAWING	DESCRIPTION
1	1	2_250_03678	BASE MODULBOX XT\XTS - 5M
2	1	2_250_00072	HOOK FOR MODULBOX XT\XTS
3	1	2_250_03673	BODY MODULBOX XTS 5MC53-A

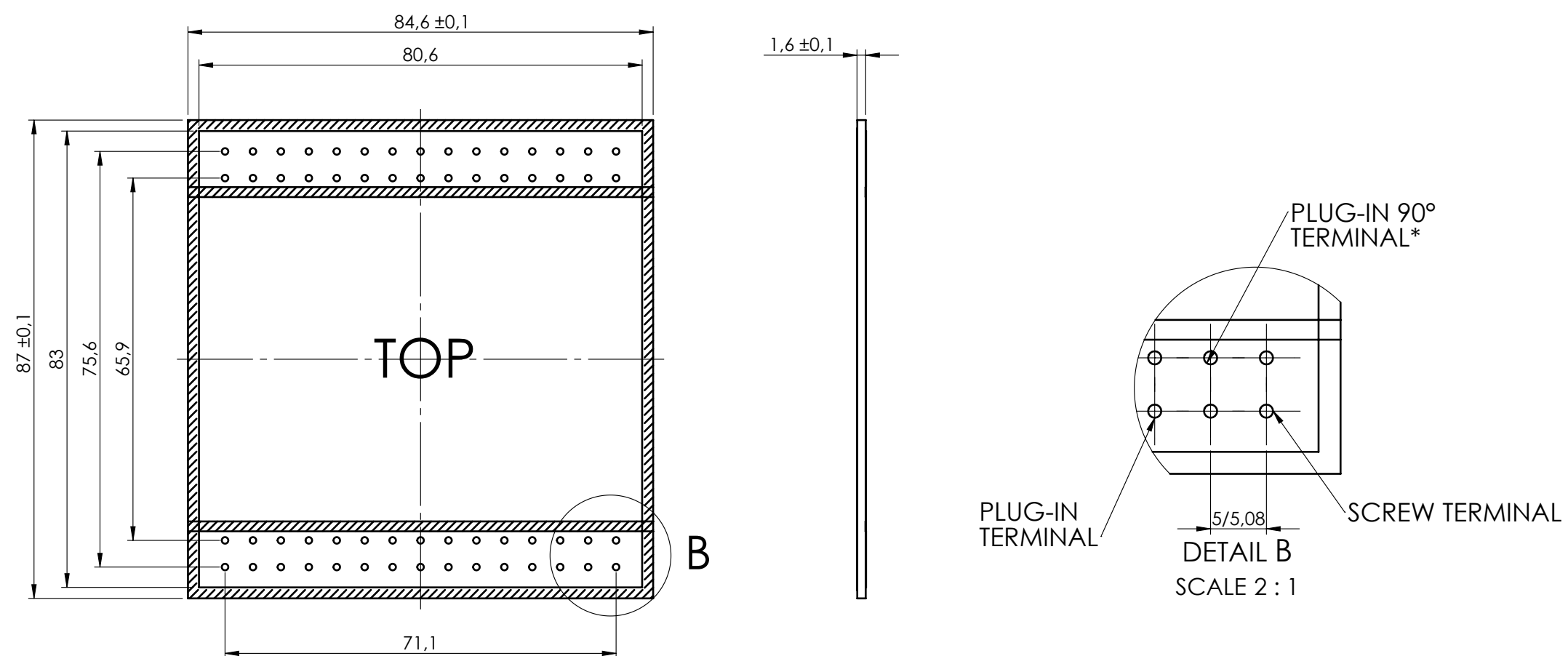
General Tolerance UNI EN 22768/1 Media (m)					Sheet:
from 0.5 to 3	from 3 to 6	from 6 to 30	from 30 to 120	from 120 to 400	1
± 0.1	± 0.1	± 0.2	± 0.3	± 0.5	
Scale:	IM:	Drawn:	Checked:	Date:	Material:
1:1	--		R.N.	03/05/2023	
Dimension in mm		Replaces the:		Derived from:	Weight:
		M-04092-01			gr

Description:		Rev.:
KIT CONTENITORE MODULBOX XTS 5MC53-A CHIUSO		00
KIT ENCLOSURE MODULBOX XTS 5MC53-A CLOSED		A2
Drawing nr.:	3_250_00097	



# PCB A

Max height of the terminal:  
 Modulbox XT/XTS: 18.5 mm  
 Modulbox ONE: 20 mm



*\*To use the PLUG-IN terminals in Modulbox ONE use plug-in adapter P05000003E (5/5.08 pitch) and P05000004E (7.5/7.62 pitch)*

General Tolerance UNI EN 22768/1 Media (m)						Sheet:
from 0.5 to 3 ± 0.1	from 3 to 6 ± 0.1	from 6 to 30 ± 0.2	from 30 to 120 ± 0.3	from 120 to 400 ± 0.5		PCB
Scale:	IM:	Drawn:	Checked:	Date:	Material:	Process:
1:1	--		R.N.	03/05/2023		
Dimension in mm		Replaces the:		Derived from:	Weight:	Cod. Mold:
		M-04092-01			gr	--
		Description:		KIT CONTENITORE MODULBOX XTS 5MCS3-A CHIUSO		Rev.:
		KIT ENCLOSURE MODULBOX XTS 5MCS3-A CLOSED		Drawing nr.:		00
				3_250_00097		A2

NO COMPONENTS AREA

