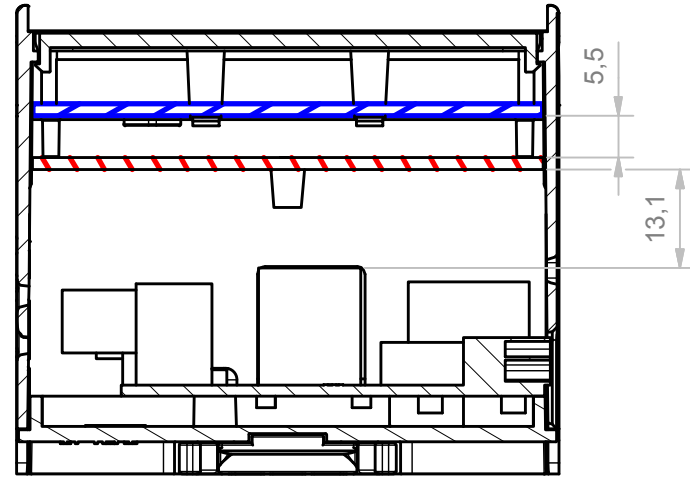
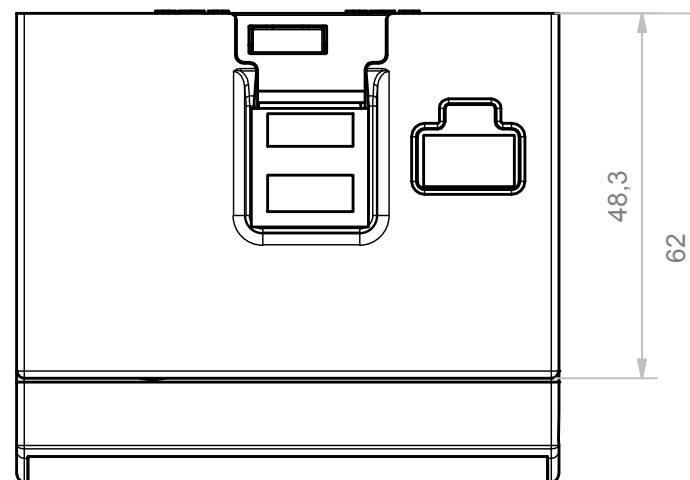
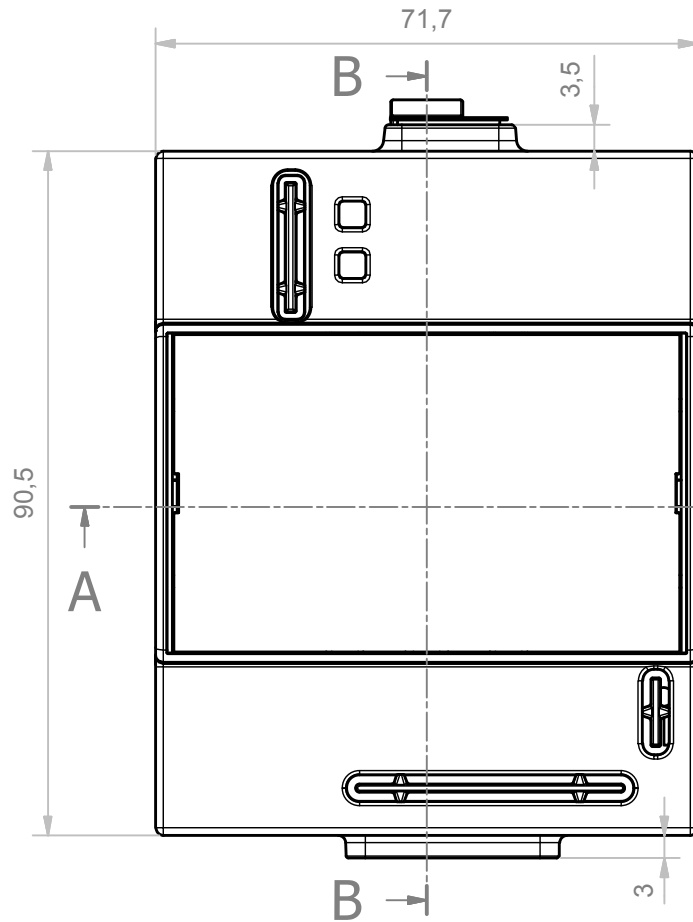
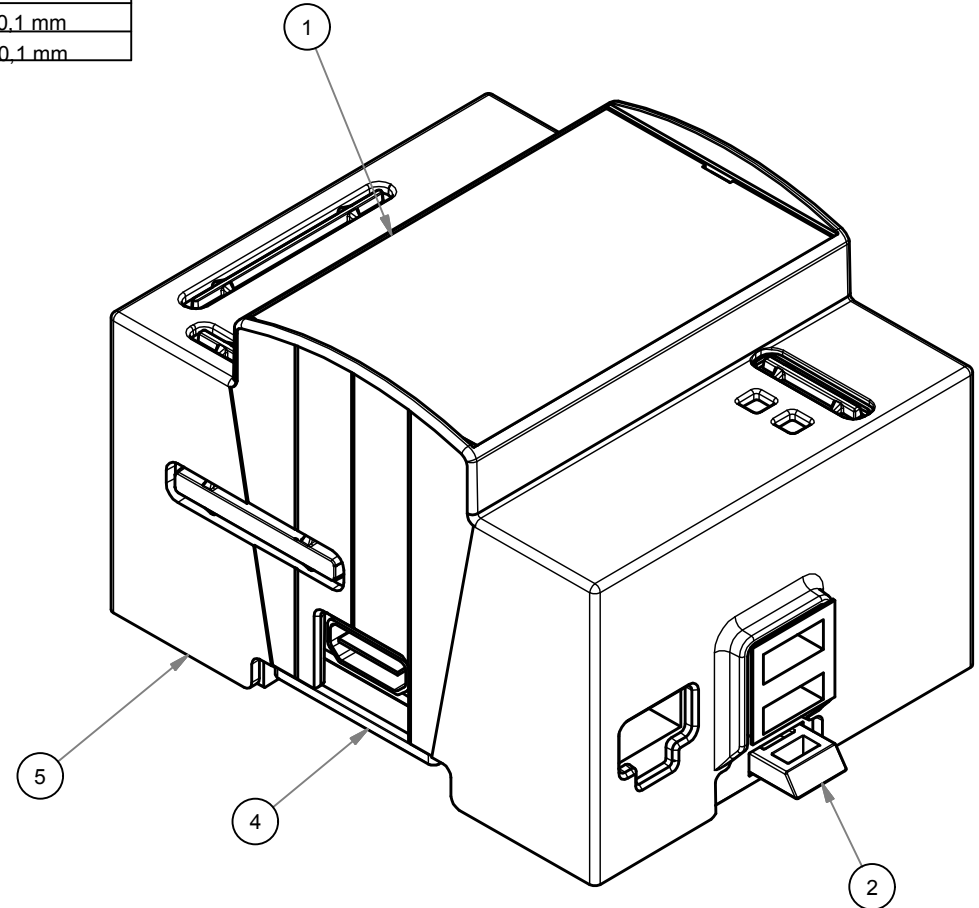
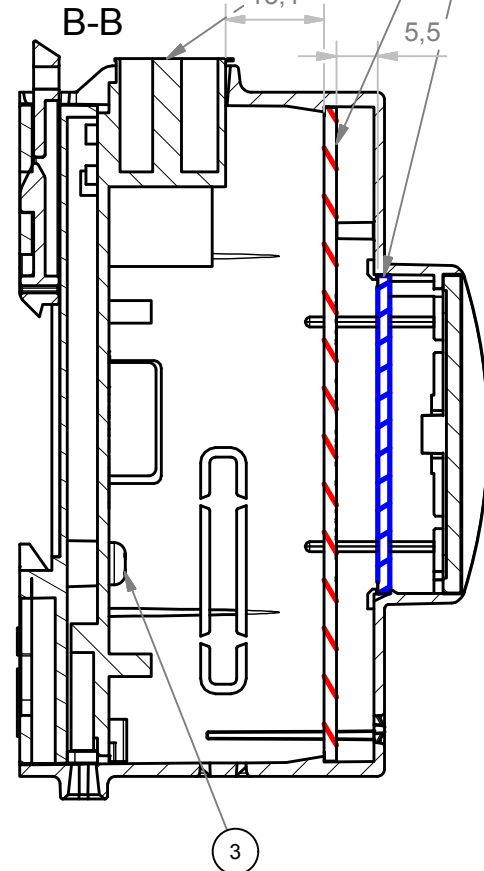


A-A



COMPONENTS LIST		
PCB TYPE	PCB DIMENSION	TOLERANCE
B	67.6X86.4	±0.1 mm
C	67.4X42.0	±0.1 mm

NOT INCLUDED
PCB RASPBERRY PI
PCB-B
PCB-C



RIF.	Q.TY	DESCRIPTION	DRAWING
1	1	PANEL 4M WITHOUT FRAME	1.001.00346
2	1	MODULAR HOOK LONG	1.001.01900
3	2	SCREW 2.9 X 6.5 TRUNC	8.100.00003
4	1	BASE 4M-XT RASPBERRY PI	1.001.05332
5	1	BODY XTS 4M53-C RASPBERRY PI B	2.250.00065

General Tolerance UNI EN 22768/1 Media (m)				
from 0.5 to 3	from 3 to 6	from 6 to 30	from 30 to 120	from 120 to 400
± 0.1	± 0.1	± 0.2	± 0.3	± 0.5

Scale: 1 : 1	Sheet nr.: 1 / 1	Drawn: F.F.	Checked:	Date: 24/08/2018
--------------	------------------	-------------	----------	------------------

Material:	Weight:	Cod. Mold:

 www.italtronic.com techcare@italtronic.com	Description:	KIT 4M RASPBERRY KIT 4M RASPBERRY KIT 4M RASPBERRY KIT 4M RASPBERRY
	Drawing nr.	
	3.250.00047	01

24/08/2018 F.F. Updated cartouche with new code (code passed M-05105-03)

RESERVED PROPERTY: The present drawing cannot be reproduced or communicated to 3rd parties, even partially, without the authorization of ITALTRONIC Srl. Italtronic reserves to protect its own rights according to the law.