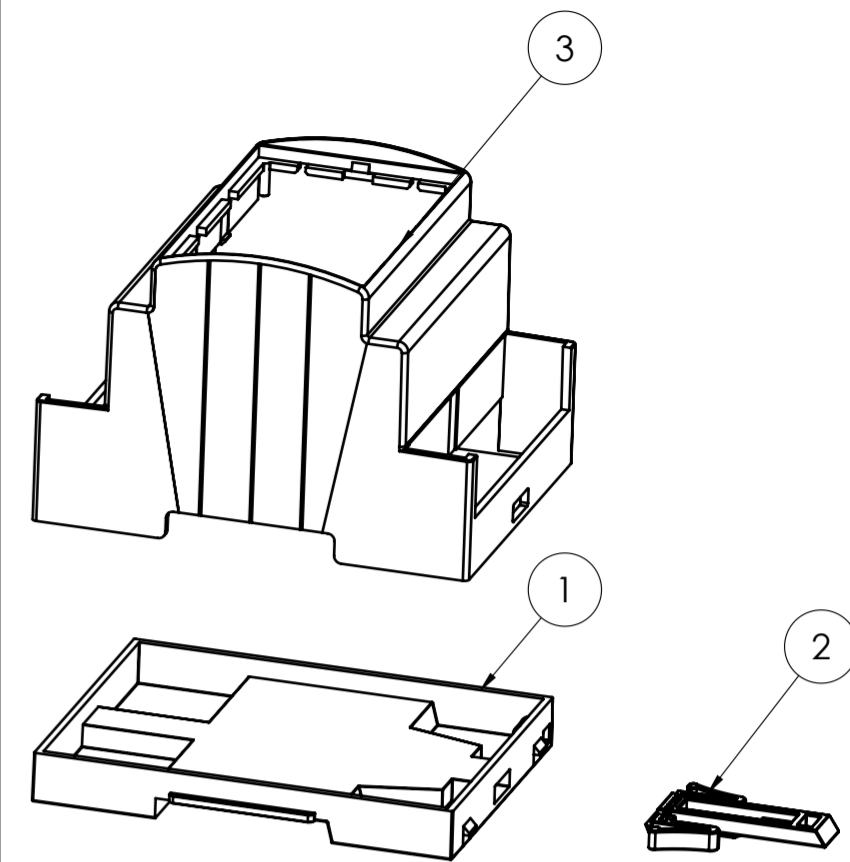
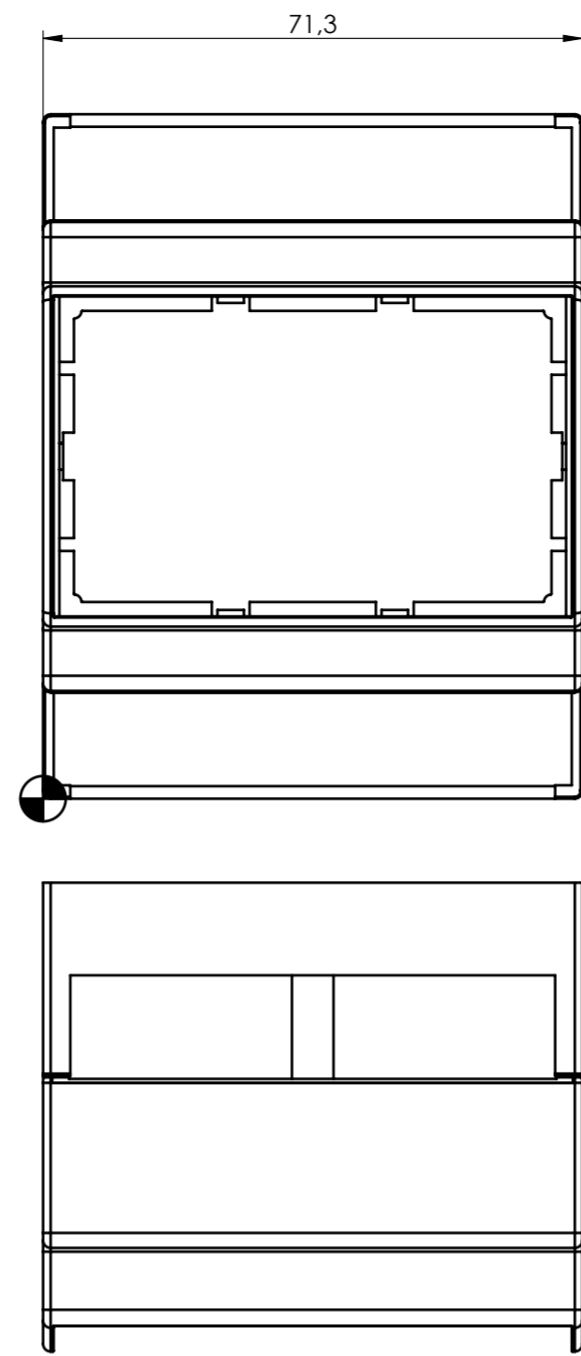
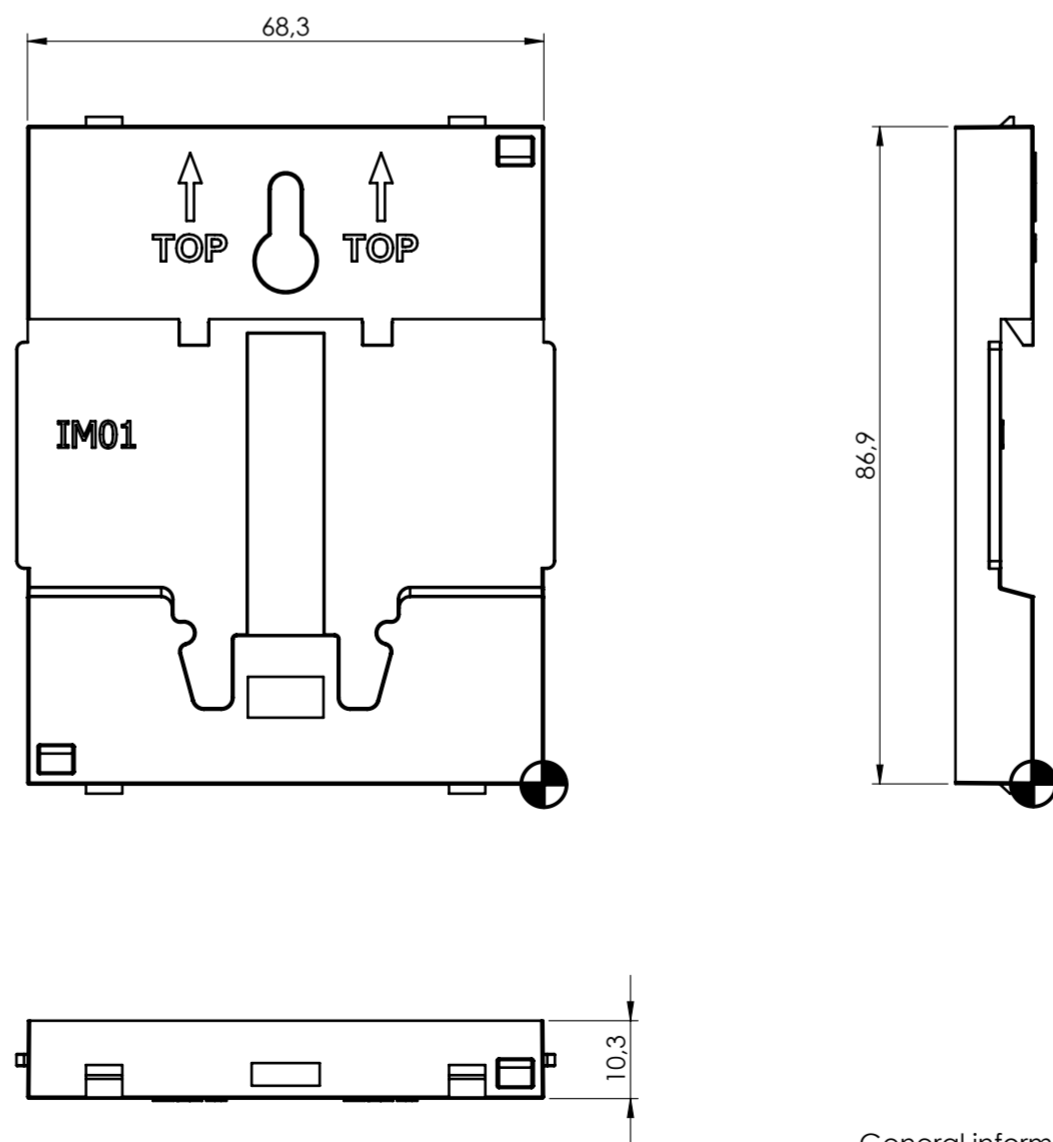


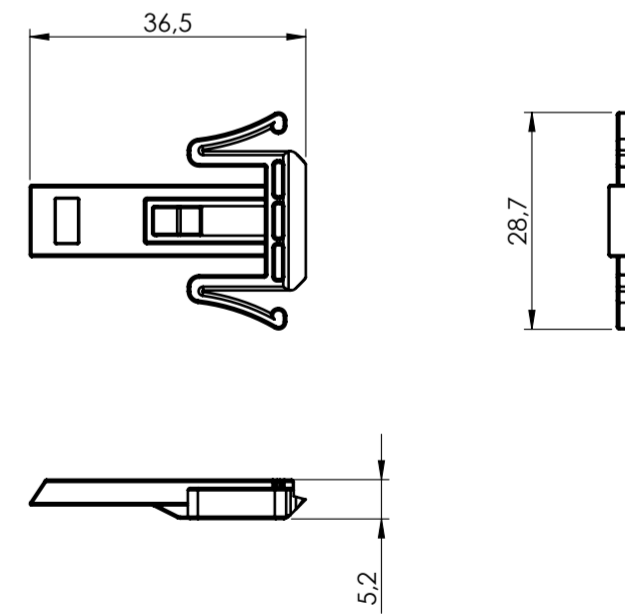
BODY ENCLOSURE



BASE



HOOK



General information:
 - Workpiece zero point for mechanical processing
 - Minimum recommended radius for machining = R1.0 mm
 - Mounting rail like EN 60715: TH 35-7.5 or TH 35-15
 - Recommended PCB outline on www.italtronic.com

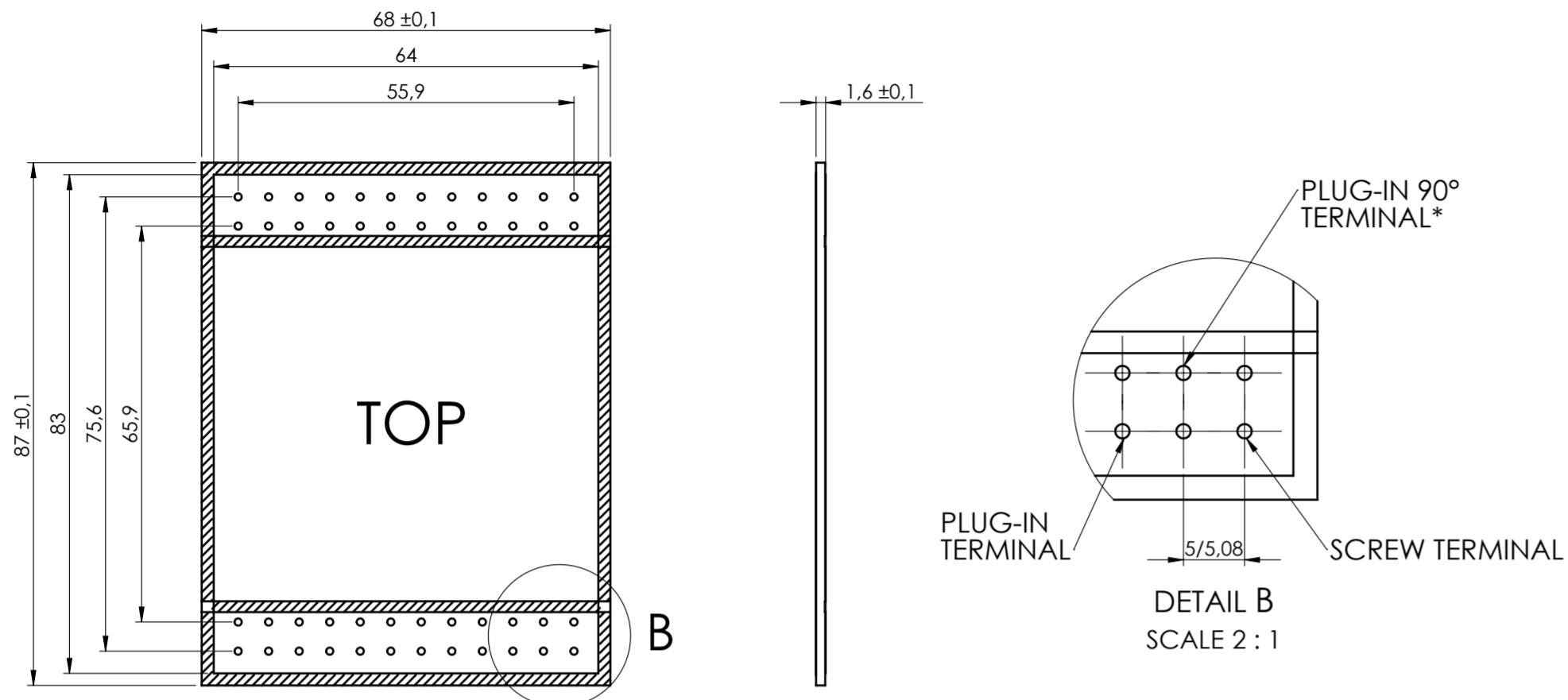
RIF.	Q.TY	DRAWING	DESCRIPTION
1	1	2_250_03633	BASE MODULBOX XT/XTS 4M
2	1	2_250_00072	HOOK FOR MODULBOX XT-XTS
3	1	2_250_03686	BODY MODULBOX XTS 4M53-A

General Tolerance UNI EN 22768/1 Media (m)					Sheet:
from 0.5 to 3 ± 0.1	from 3 to 6 ± 0.1	from 6 to 30 ± 0.2	from 30 to 120 ± 0.3	from 120 to 400 ± 0.5	1
Scale:	Drawn:	Checked:	Date:	Material:	Process:
1:1		R.N.	17/05/2023		
Dimension in mm	Derived from:	Weight:	Cod. Mold:		
		gr	--		

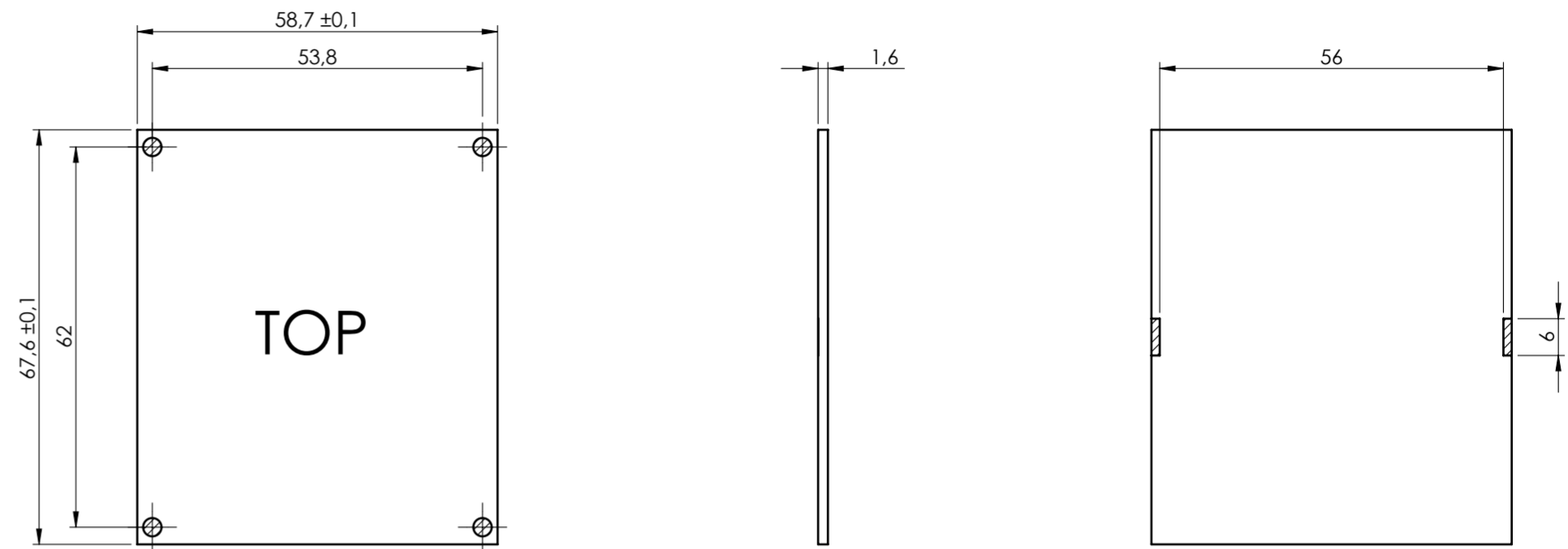
 enclosures for electronics italtronic.com	Description:	Rev.:
	KIT CONTENITORE MODULBOX XTS 4M53-A KIT ENCLOSURE MODULBOX XTS 4M53-A Drawing nr.: 3_250_00111	00 A2

PCB A

Max height of the terminal:
Modulbox XT/XTS: 18.5 mm
Modulbox ONE: 20 mm

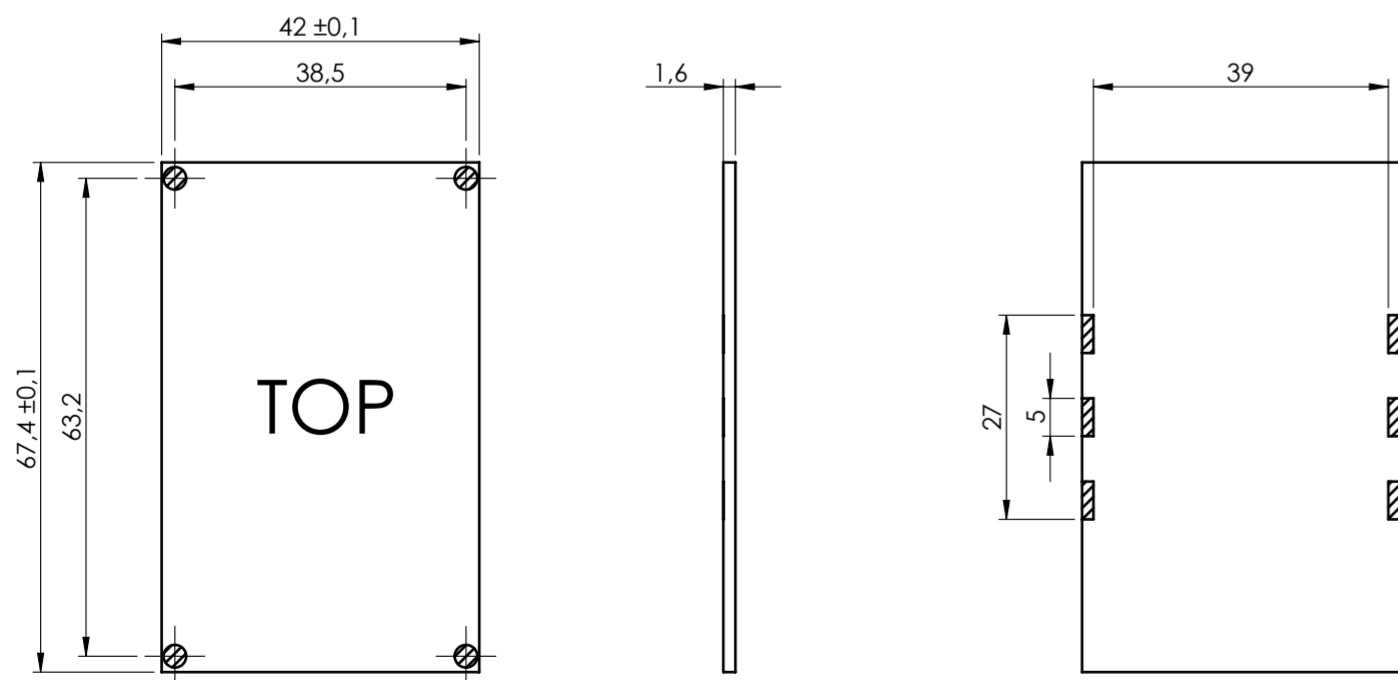


PCB B

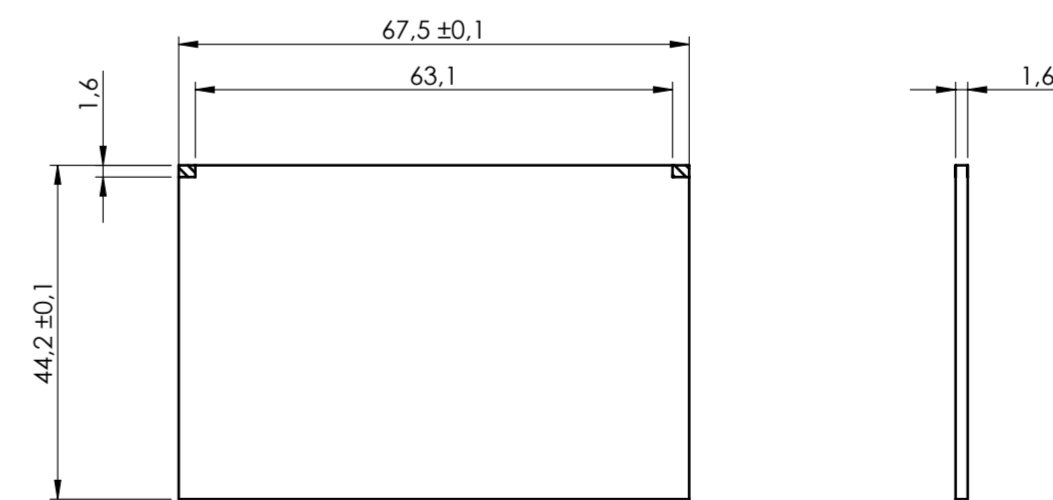


*To use the PLUG-IN terminals in Modulbox ONE use plug-in adapter P05000003E (5/5,08 pitch) and P05000004E (7.5/7,62 pitch)

PCB C



PCB V2



General Tolerance UNI EN 22768/1 Media (m)					Sheet:
from 0.5 to 3 ± 0.1	from 3 to 6 ± 0.1	from 6 to 30 ± 0.2	from 30 to 120 ± 0.3	from 120 to 400 ± 0.5	PCB
Scale:	IM:	Drawn:	Checked:	Date:	Material:
1:1	--		R.N.	17/05/2023	Process:
Dimension in mm		Replaces the:		Derived from:	Weight:
		M-04079-00			gr
		Description:		Cod. Mold:	
		KIT CONTENITORE MODULBOX XTS 4MS3-A		--	
		KIT ENCLOSURE MODULBOX XTS 4MS3-A			
		Drawing nr.:		Rev.:	
		3_250_00111		00 A2	

NO COMPONENTS AREA

