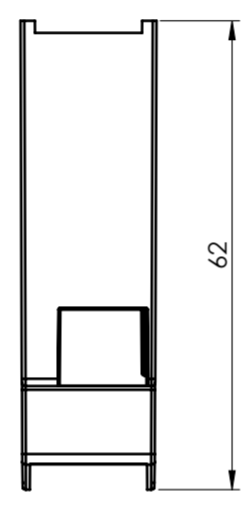
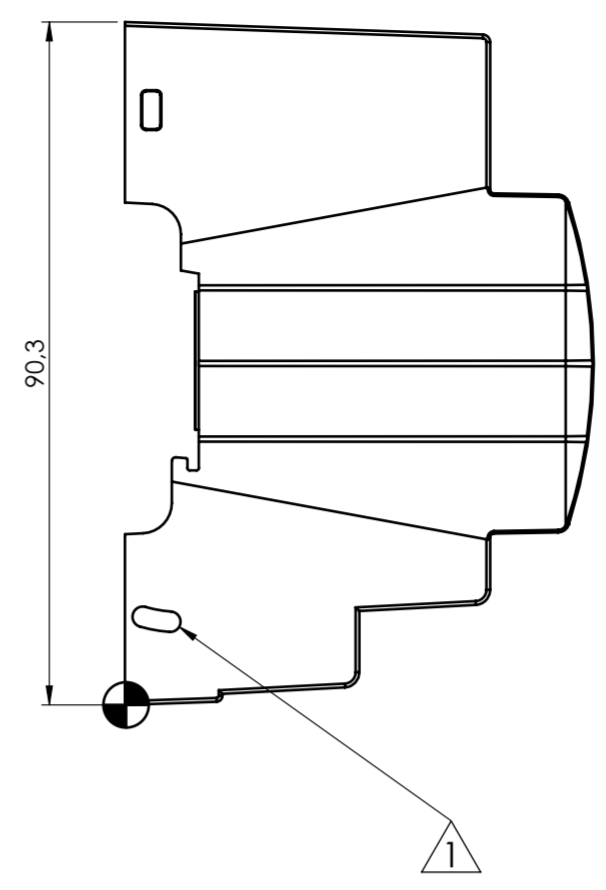
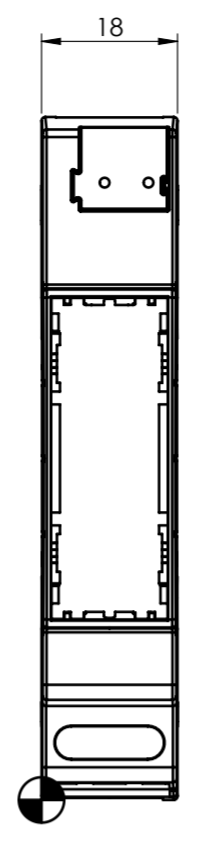
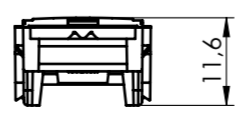
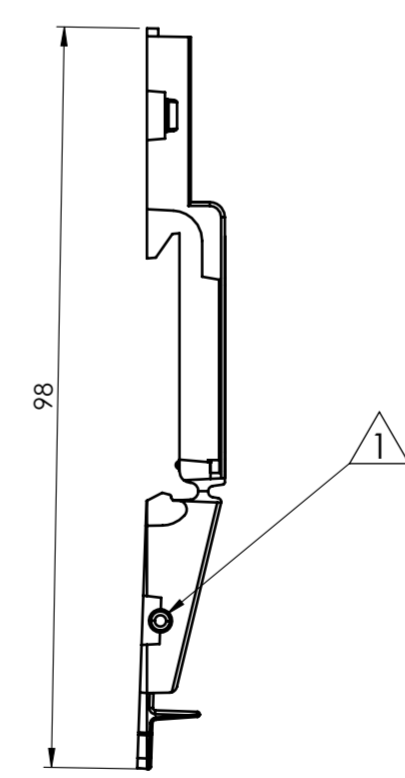
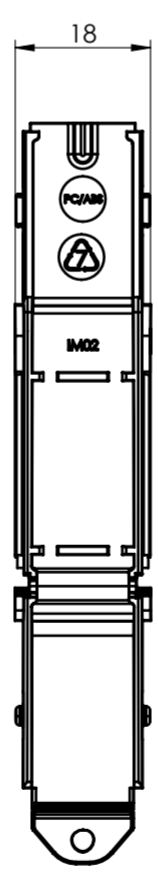


### BODY ENCLOSURE

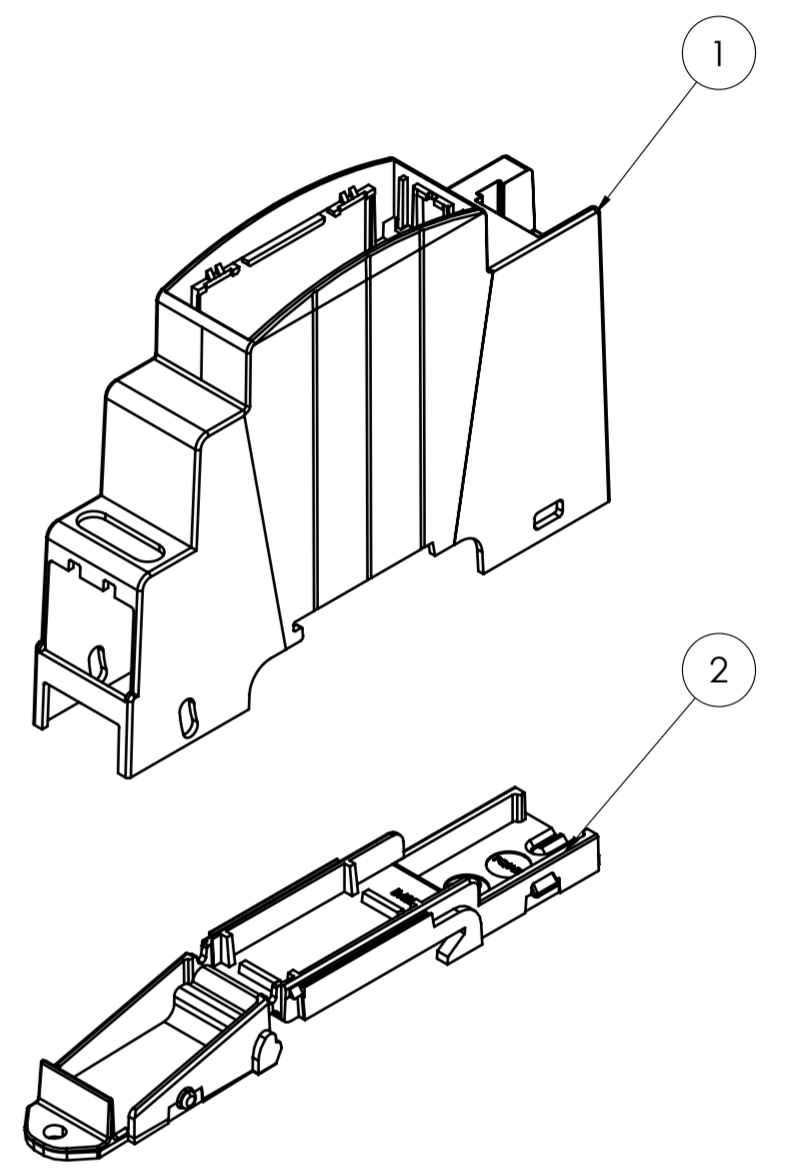


### BASE



General information:  
 - Workpiece zero point for mechanical processing  
 - Minimum recommended radius for machining = R1.0 mm  
 - Mounting rail like EN 60715: TH 35-7.5 or TH 35-15  
 - Recommended PCB outline on [www.italtronic.com](http://www.italtronic.com)

Revisions			
Rev.	Description	Date	Mod. by
1	Modificato il sistema di aggancio della base.	13/06/2024	M.S.



RIF.	Q.TY	DRAWING	DESCRIPTION
1	1	2_250_00173	BODY ENCLOSURE MODULBOX XTS 1M53-B1F KNX
2	1	2_250_00092	BASE MODULBOX XTS 1M

General Tolerance UNI EN 22768/1 Media (m)						Sheet:
from 0.5 to 3 ± 0.1	from 3 to 6 ± 0.1	from 6 to 30 ± 0.2	from 30 to 120 ± 0.3	from 120 to 400 ± 0.5		1
Scale:	IM:	Drawn:	Checked:	Date:	Material:	Process:
1:1	--	M.S.	R.N.	18/07/2023		
Dimension in mm		Replaces the:		Derived from:	Weight:	Cod. Mold:
		M-06131-00		--	gr	--

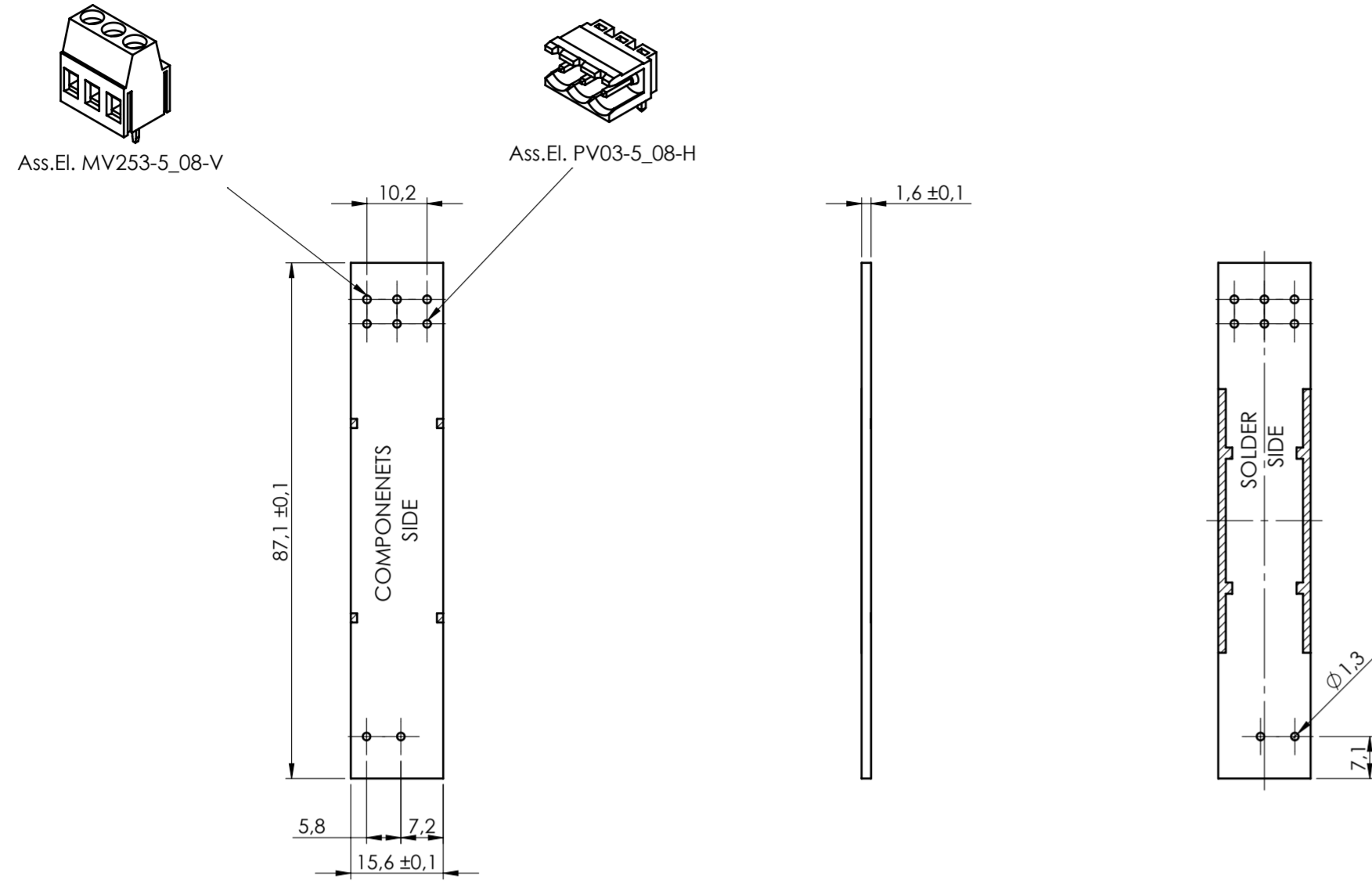
**italtronic**  
enclosures for electronics  
[italtronic.com](http://italtronic.com)

Description:  
KIT CONTENITORE MODULBOX XTS 1M53-B1FKNX  
KIT ENCLOSURE MODULBOX XTS 1M53-B1FKNX

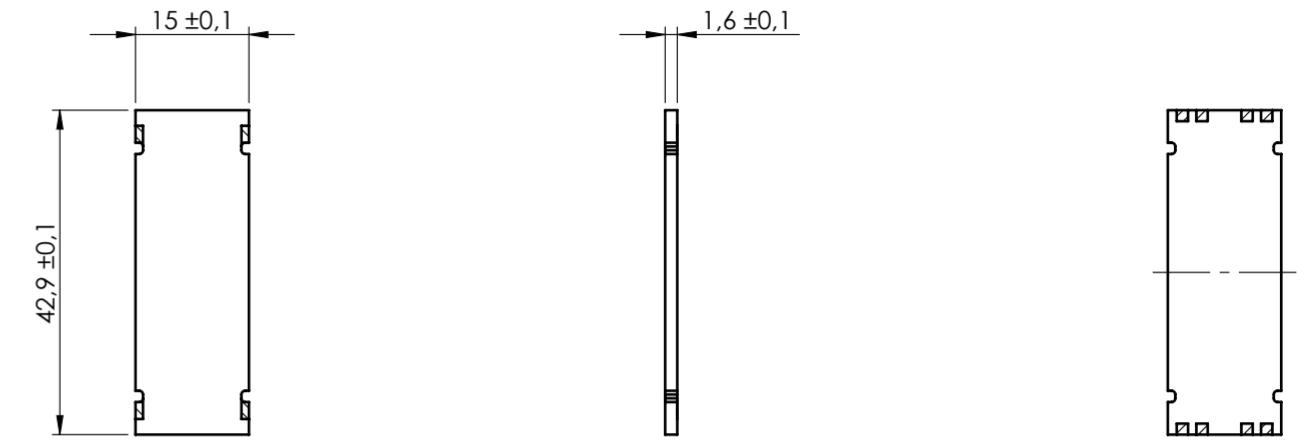
Drawing nr.: **3\_250\_00144**

Rev.: **01** A2

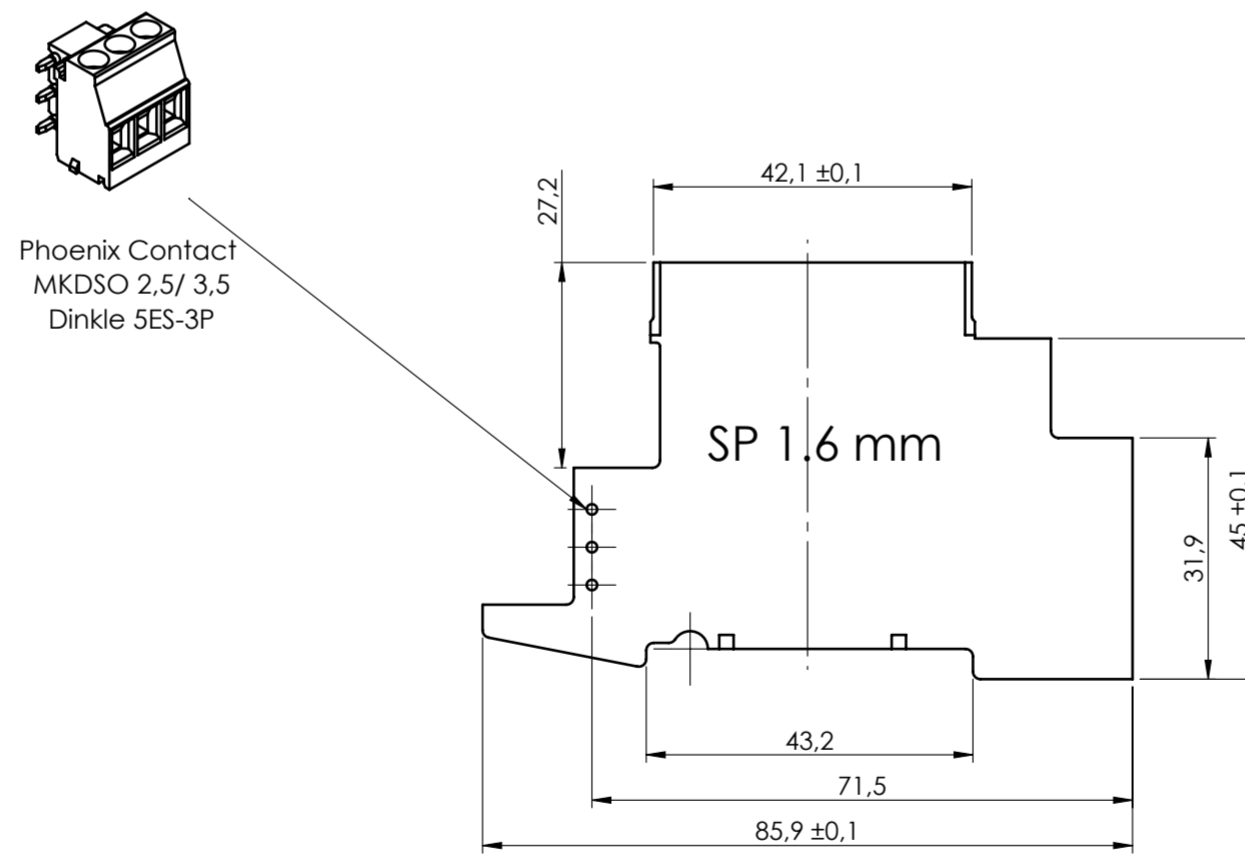
PCB A KNX



PCB C



PCB V



General Tolerance UNI EN 22768/1 Media (m)					Sheet:
from 0.5 to 3 ± 0.1	from 3 to 6 ± 0.1	from 6 to 30 ± 0.2	from 30 to 120 ± 0.3	from 120 to 400 ± 0.5	PCB
Scale:	IM:	Drawn:	Checked:	Date:	Material:
1:1	--	M.S.	R.N.	18/07/2023	Process:
Dimension in mm		Replaces the:		Weight:	Cod. Mold:
		M-06131-00		gr	--
 italtronic.com		Description: KIT CONTENITORE MODULBOX XTS 1MS3-B1FKNX KIT ENCLOSURE MODULBOX XTS 1MS3-B1FKNX			Rev.:
		Drawing nr.: <b>3_250_00144</b>			01 A2

NO COMPONENTS AREA