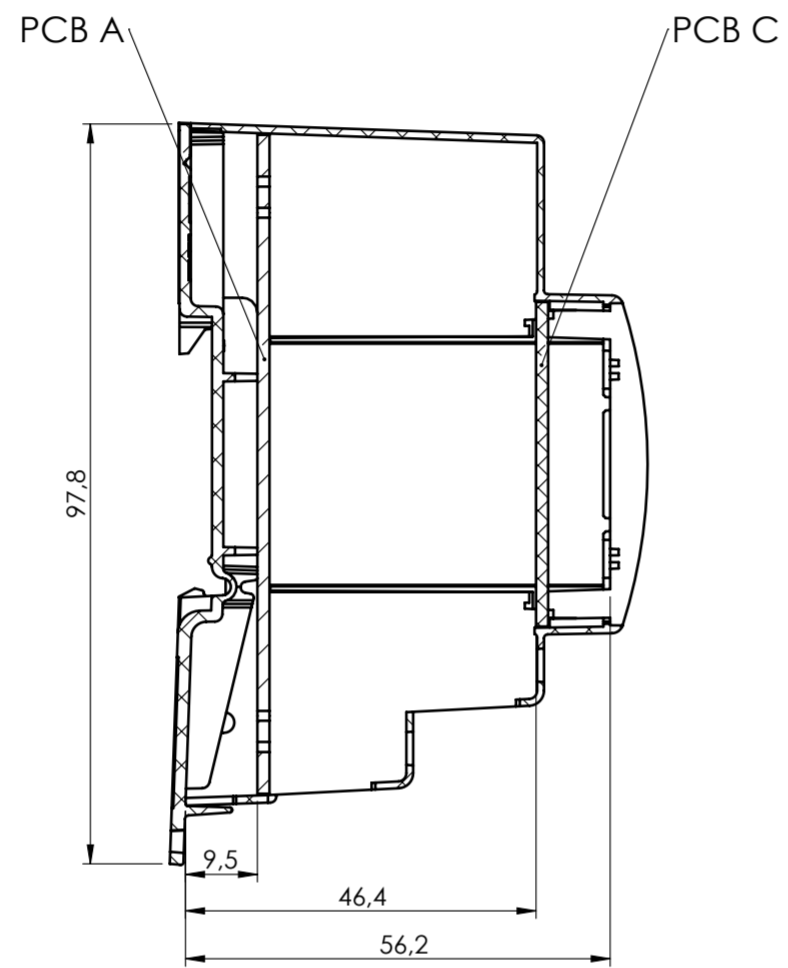
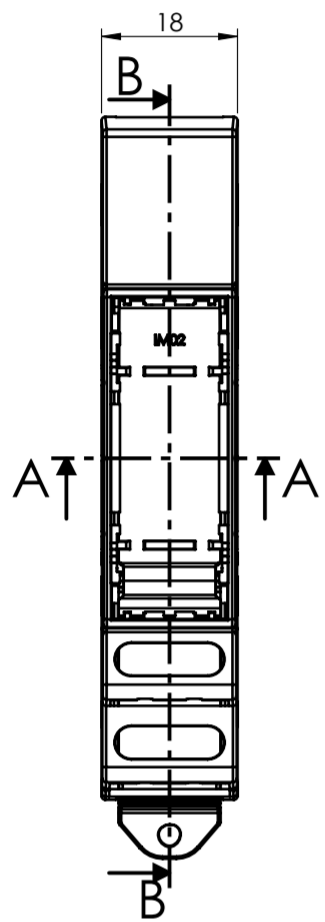
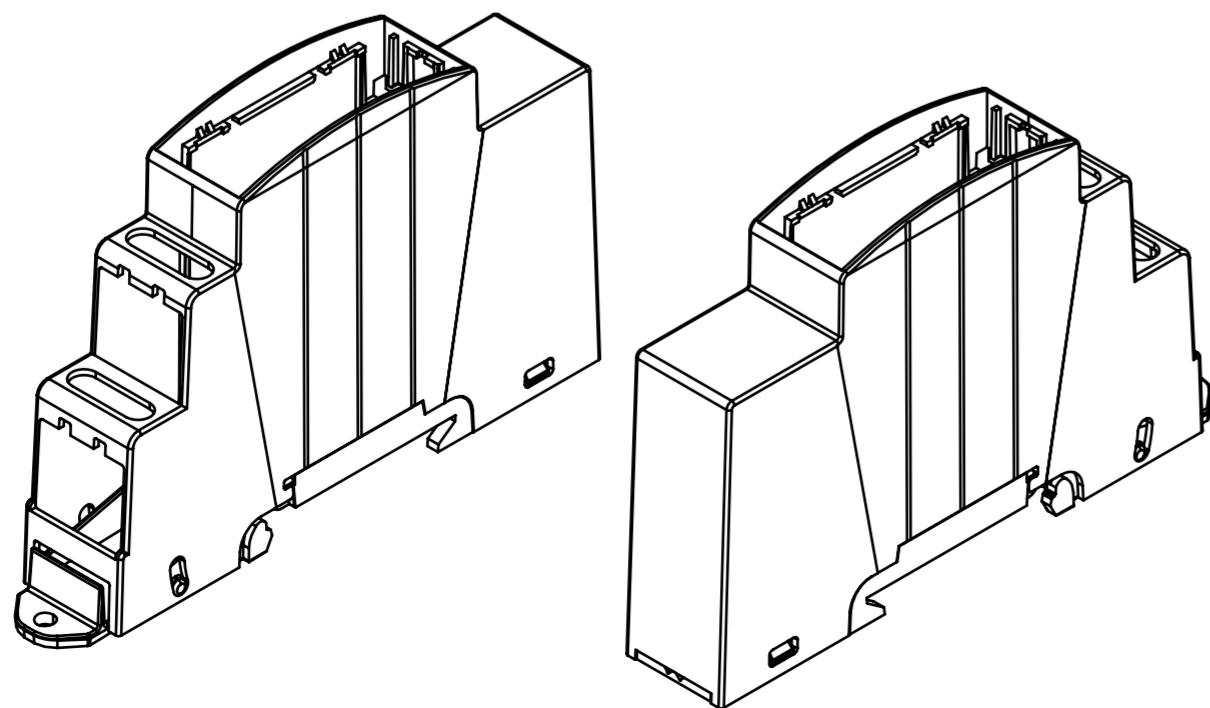
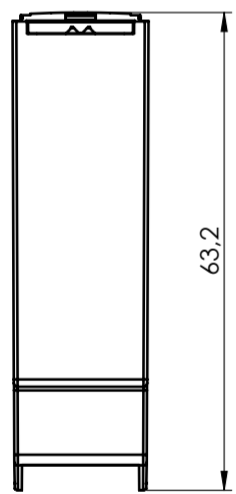


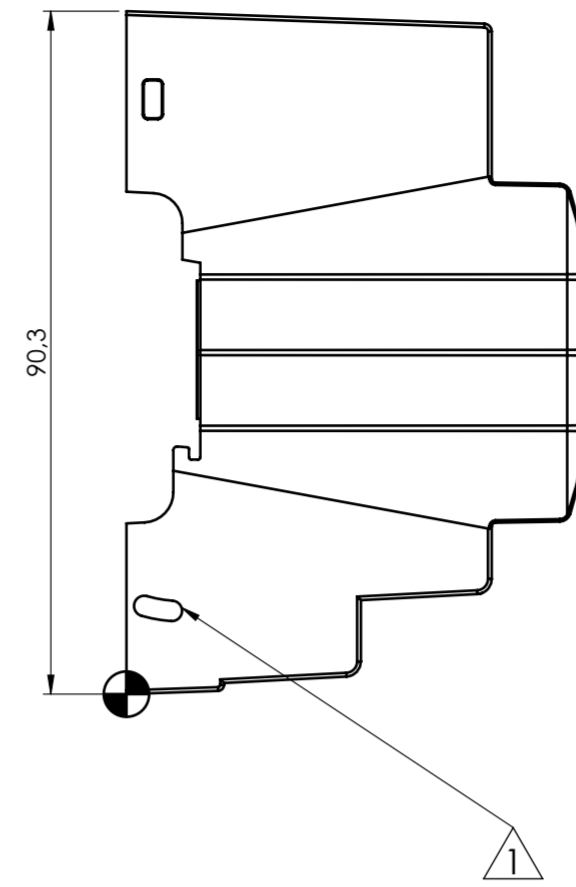
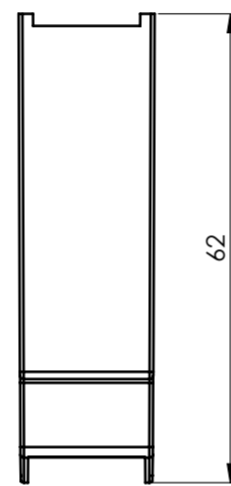
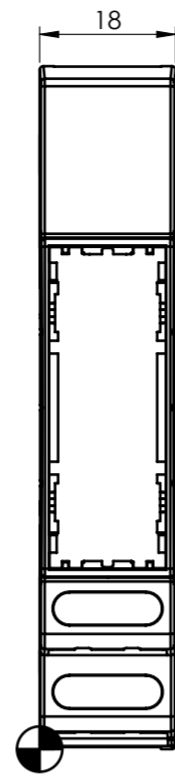
SECTION A-A



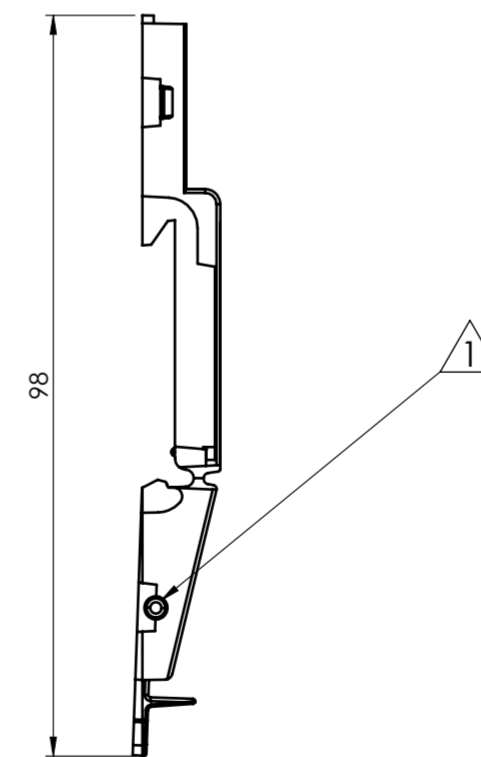
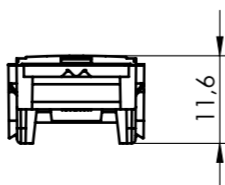
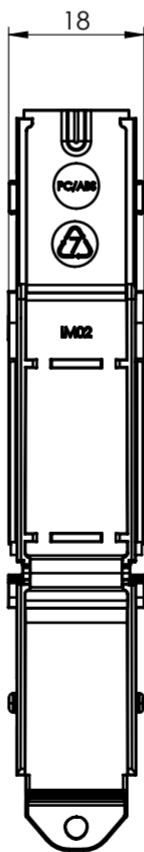
SECTION B-B



## BODY ENCLOSURE

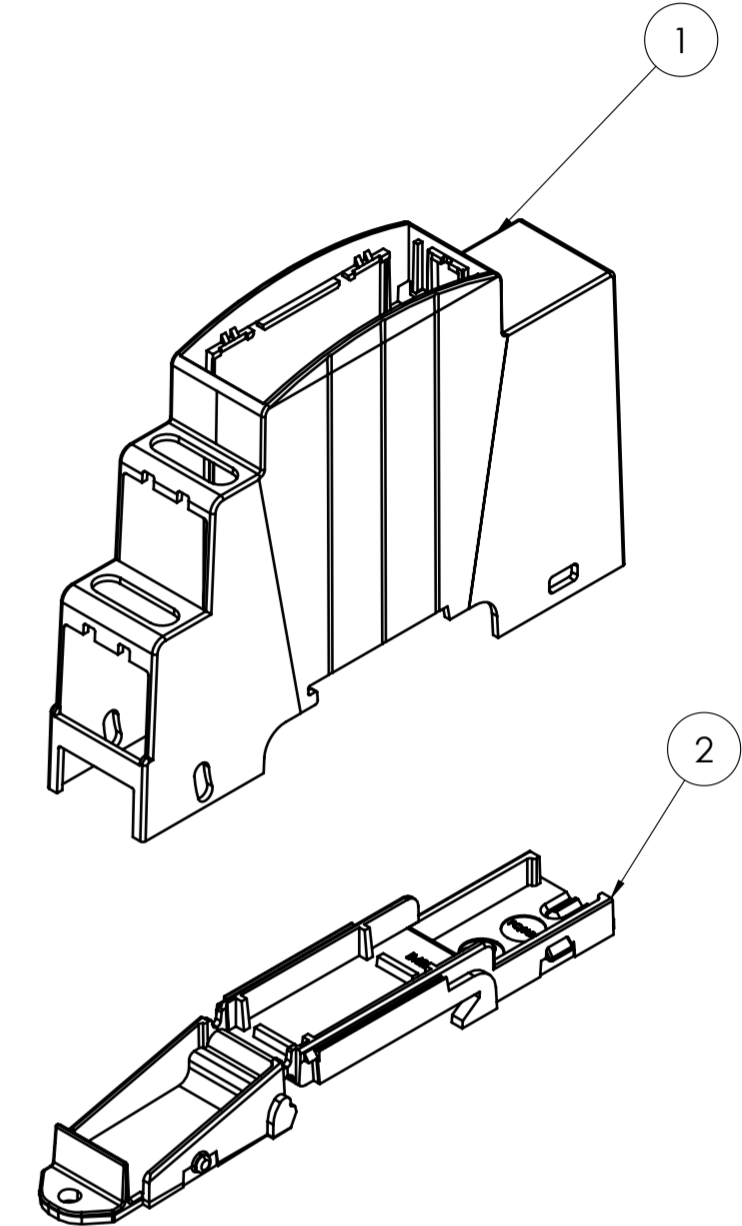


## BASE



General information:  
 - Workpiece zero point for mechanical processing  
 - Minimum recommended radius for machining = R1.0 mm  
 - Mounting rail like EN 60715: TH 35-7.5 or TH 35-15  
 - Recommended PCB outline on [www.italtronic.com](http://www.italtronic.com)

Revisions			
Rev.	Description	Date	Mod. by
1	Modificato il sistema di aggancio della base.	17/06/2024	M.S.

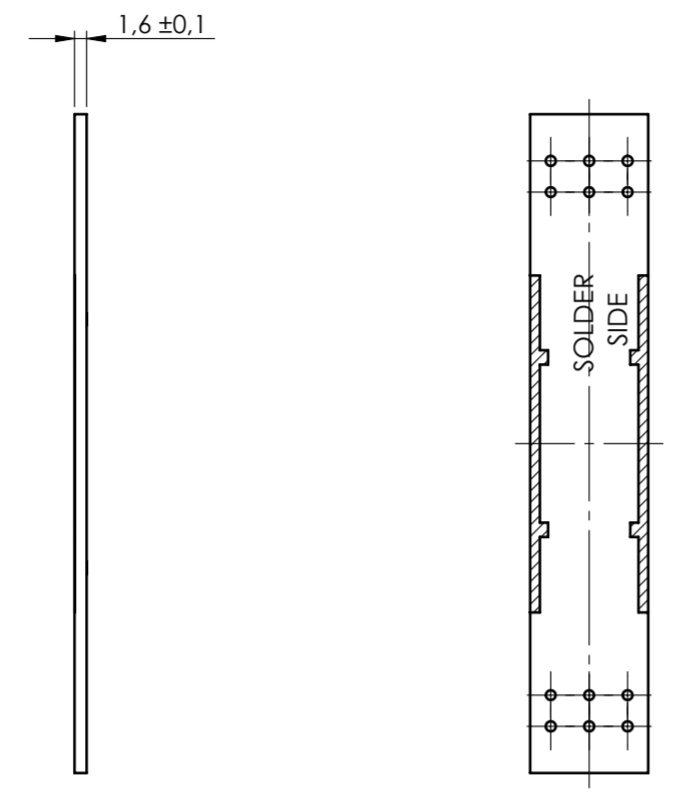
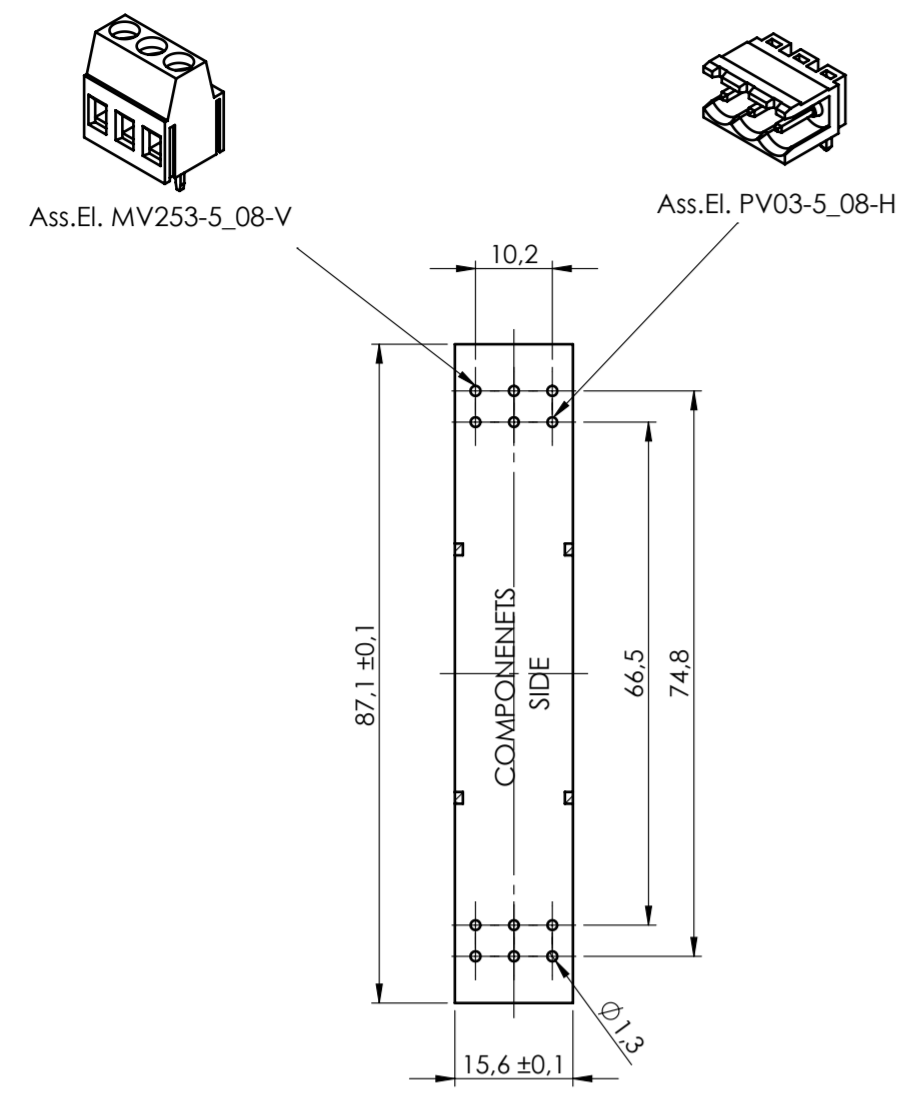


RIF.	Q.TY	DRAWING	DESCRIPTION
1	1	2_250_00168	BODY ENCLOSURE MODULBOX XTS 1M53-B 2F
2	1	2_250_00092	BASE MODULBOX XTS 1M

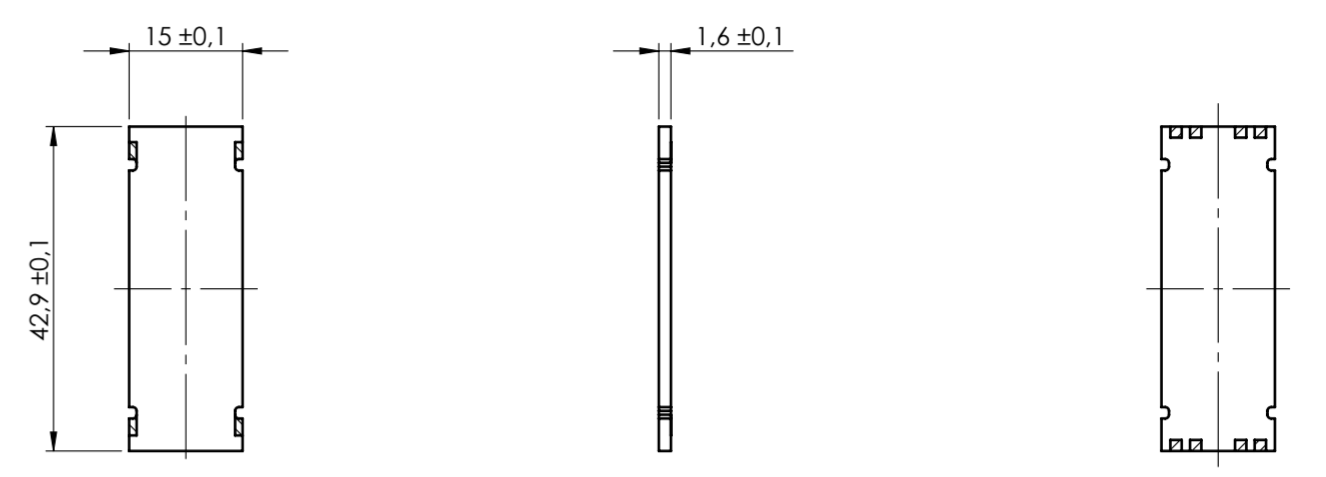
General Tolerance UNI EN 22768/1 Media (m)						Sheet:
from 0.5 to 3	from 3 to 6	from 6 to 30	from 30 to 120	from 120 to 400		1
± 0.1	± 0.1	± 0.2	± 0.3	± 0.5		
Scale:	IM:	Drawn:	Checked:	Date:	Material:	Process:
1:1	--	M.S.	R.N.	17/07/2023		
	The present drawing cannot be reproduced or communicated to third parties, even partially, without the authorization of Italtronic. Italtronic reserves the right to protect its copyrights according to the law.		Replaces the:	Derived from:	Weight:	Cod. Mold:
Dimension in mm			M-06130-00	--	gr	--

 enclosures for electronics <a href="http://italtronic.com">italtronic.com</a>		Description: KIT CONTENITORE MODULBOX XTS 1M53-B2F KIT ENCLOSURE MODULBOX XTS 1M53-B2F Drawing nr.: <b>3_250_00143</b>	Rev.: <b>01</b> A2
--------------------------------------------------------------------------------------	--	------------------------------------------------------------------------------------------------------------------------------------	-----------------------

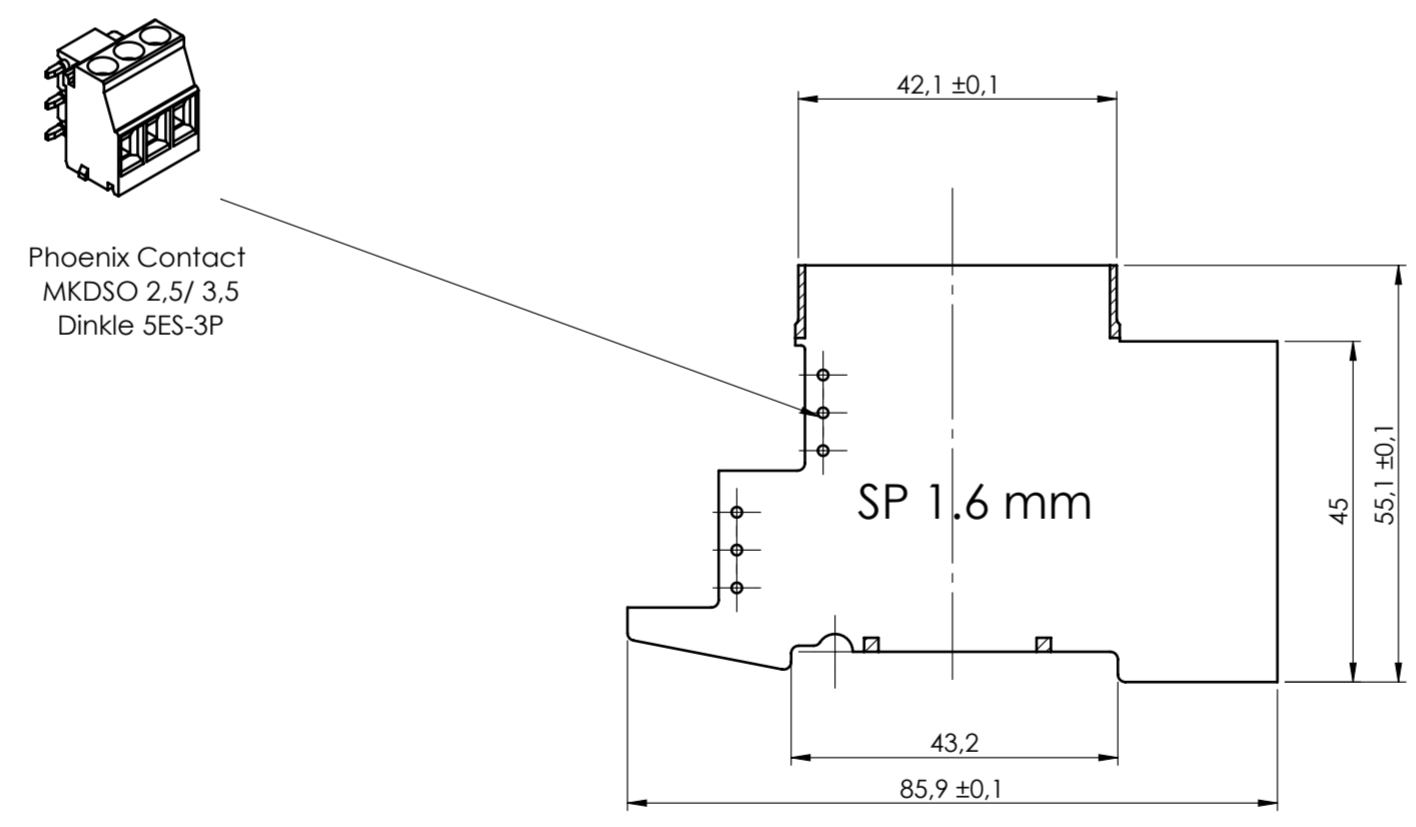
PCB A



PCB C



PCB V



General Tolerance UNI EN 22768/1 Media (m)					Sheet:
from 0.5 to 3 ± 0.1	from 3 to 6 ± 0.1	from 6 to 30 ± 0.2	from 30 to 120 ± 0.3	from 120 to 400 ± 0.5	PCB
Scale:	IM:	Drawn:	Checked:	Date:	Material:
1:1	--	M.S.	R.N.	17/07/2023	Process:
Dimension in mm		Replaces the:		Derived from:	Weight:
		M-06130-00		--	gr
Description:					Cod. Mold:
KIT CONTENITORE MODULBOX XTS 1MS3-B2F					--
KIT ENCLOSURE MODULBOX XTS 1MS3-B2F					
Drawing nr.:					Rev.:
3_250_00143					01 A2

NO COMPONENTS AREA

