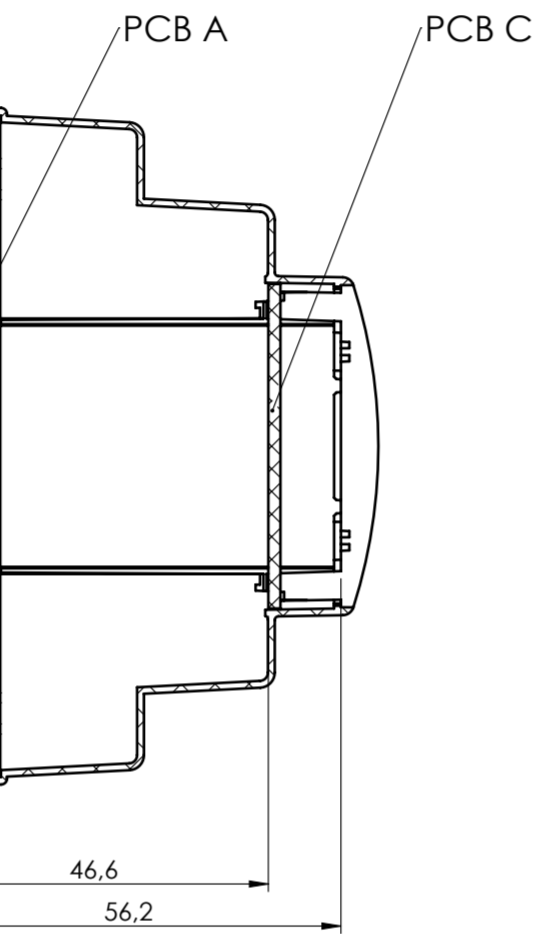
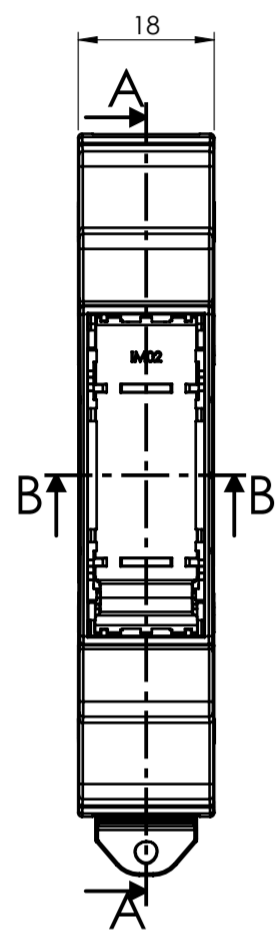
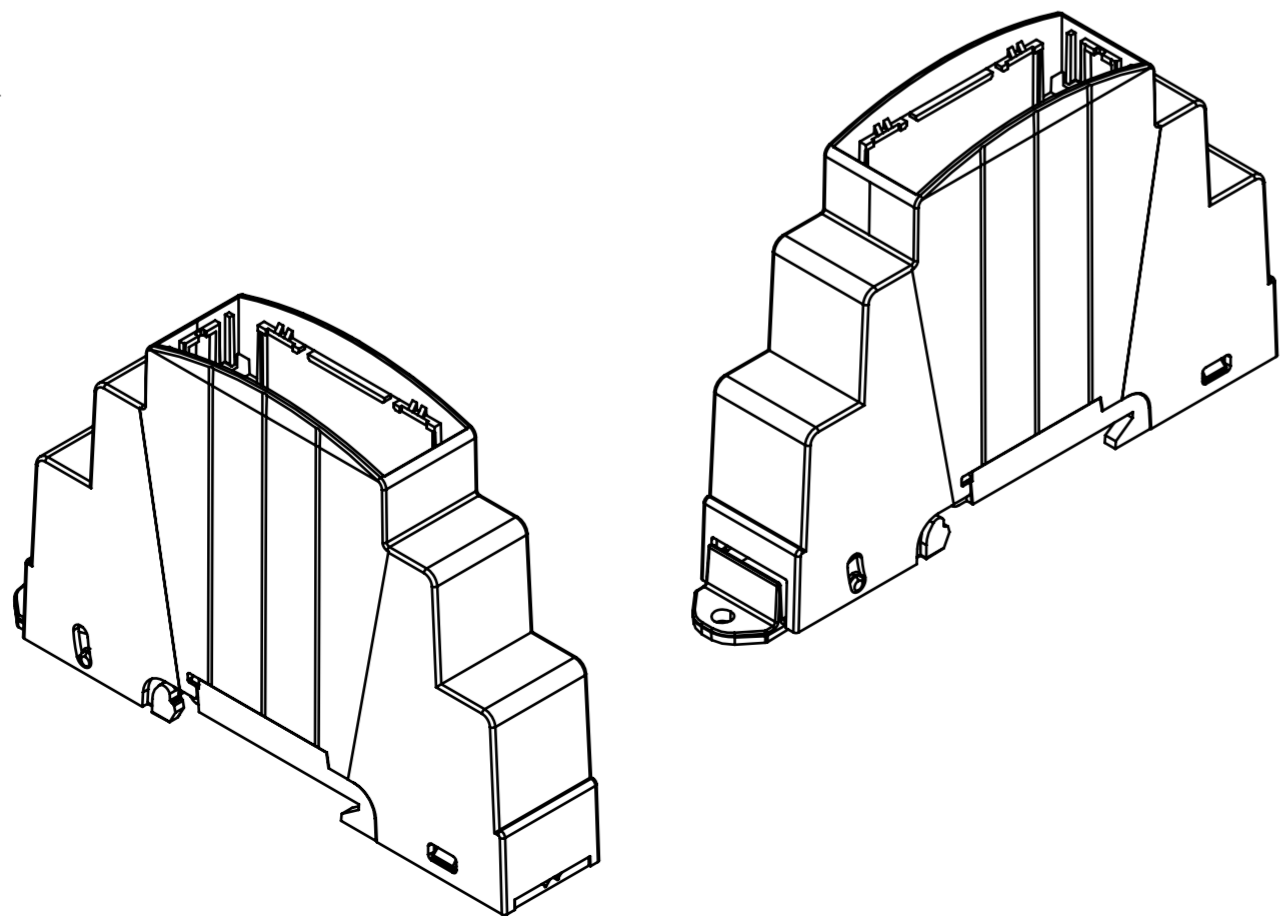
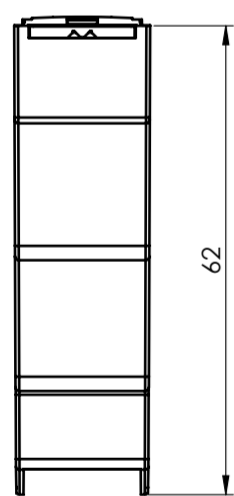


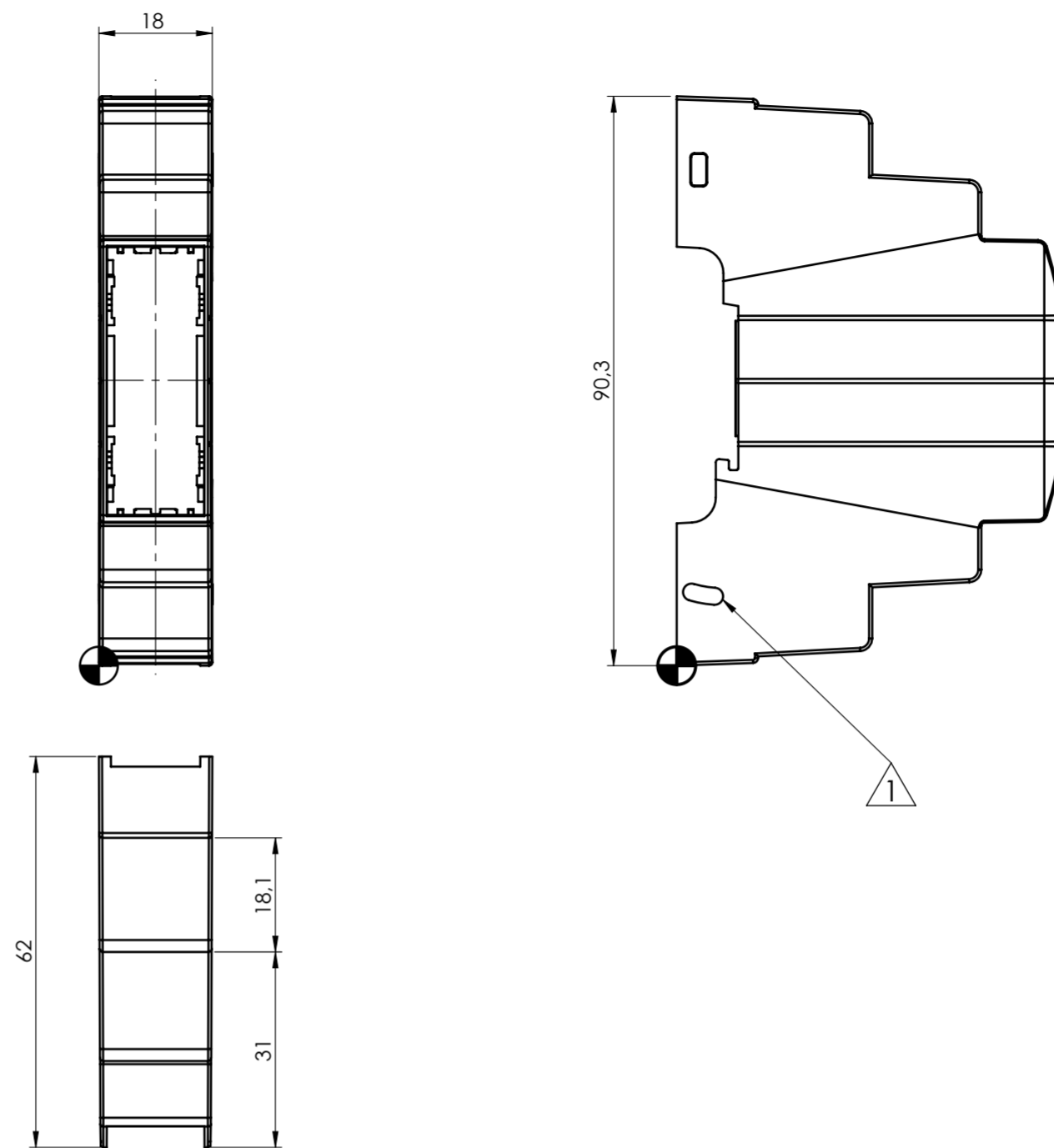
SECTION B-B



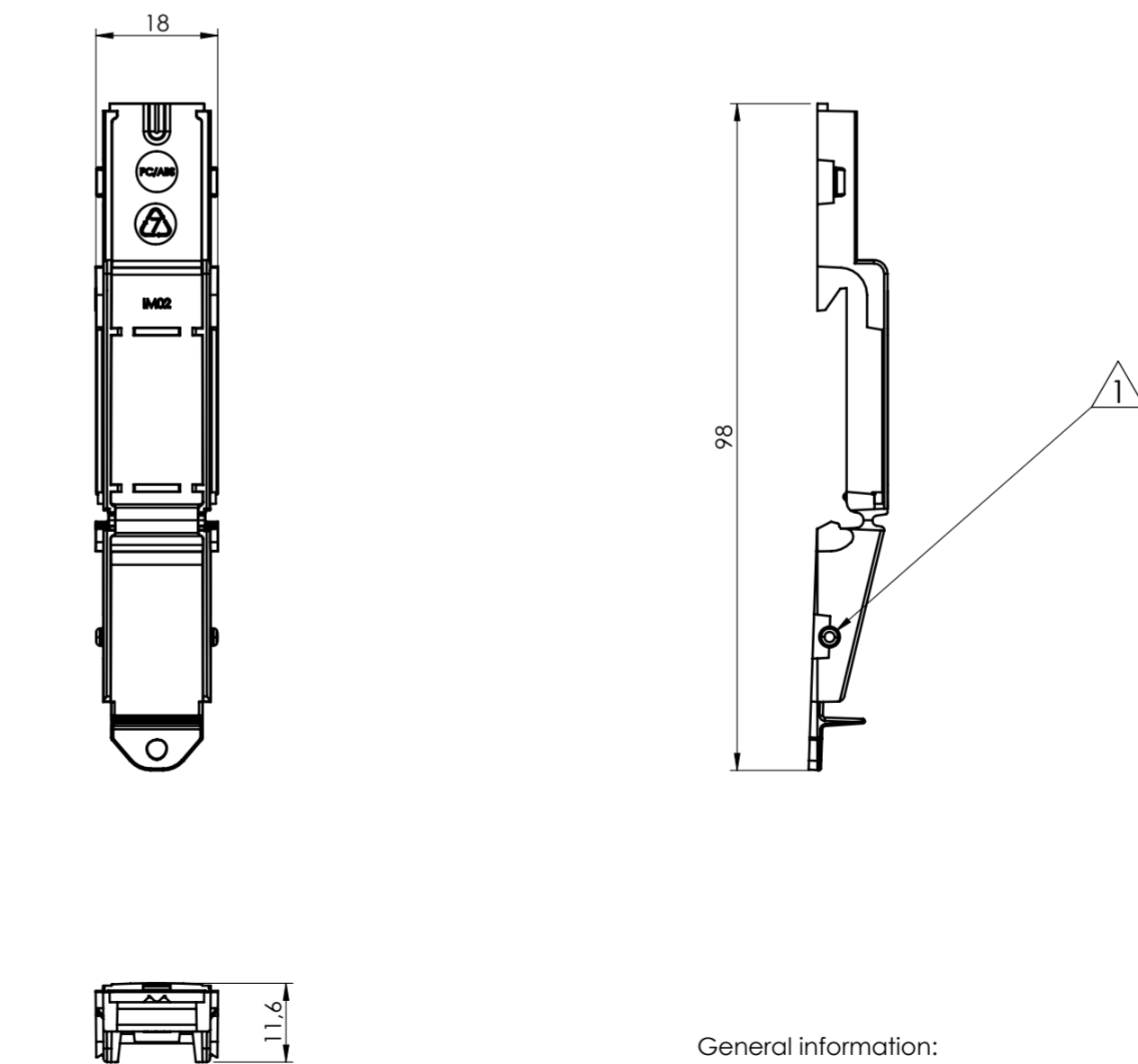
SECTION A-A



BODY ENCLOSURE

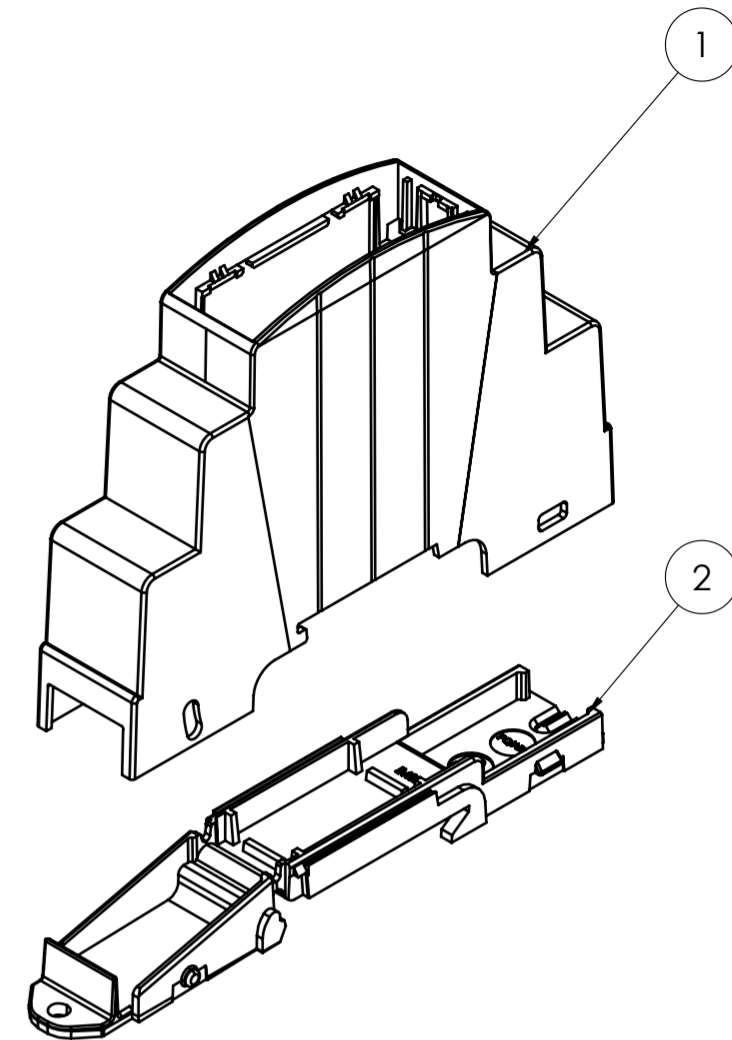


BASE




General information:
 - Workpiece zero point for mechanical processing
 - Minimum recommended radius for machining = R1.0 mm
 - Mounting rail like EN 60715: TH 35-7.5 or TH 35-15
 - Recommended PCB outline on www.italtronic.com

Revisions			
Rev.	Description	Date	Mod. by
1	Modificato il sistema di aggancio della base.	12/06/2024	M.S.

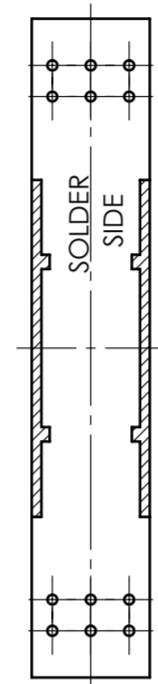
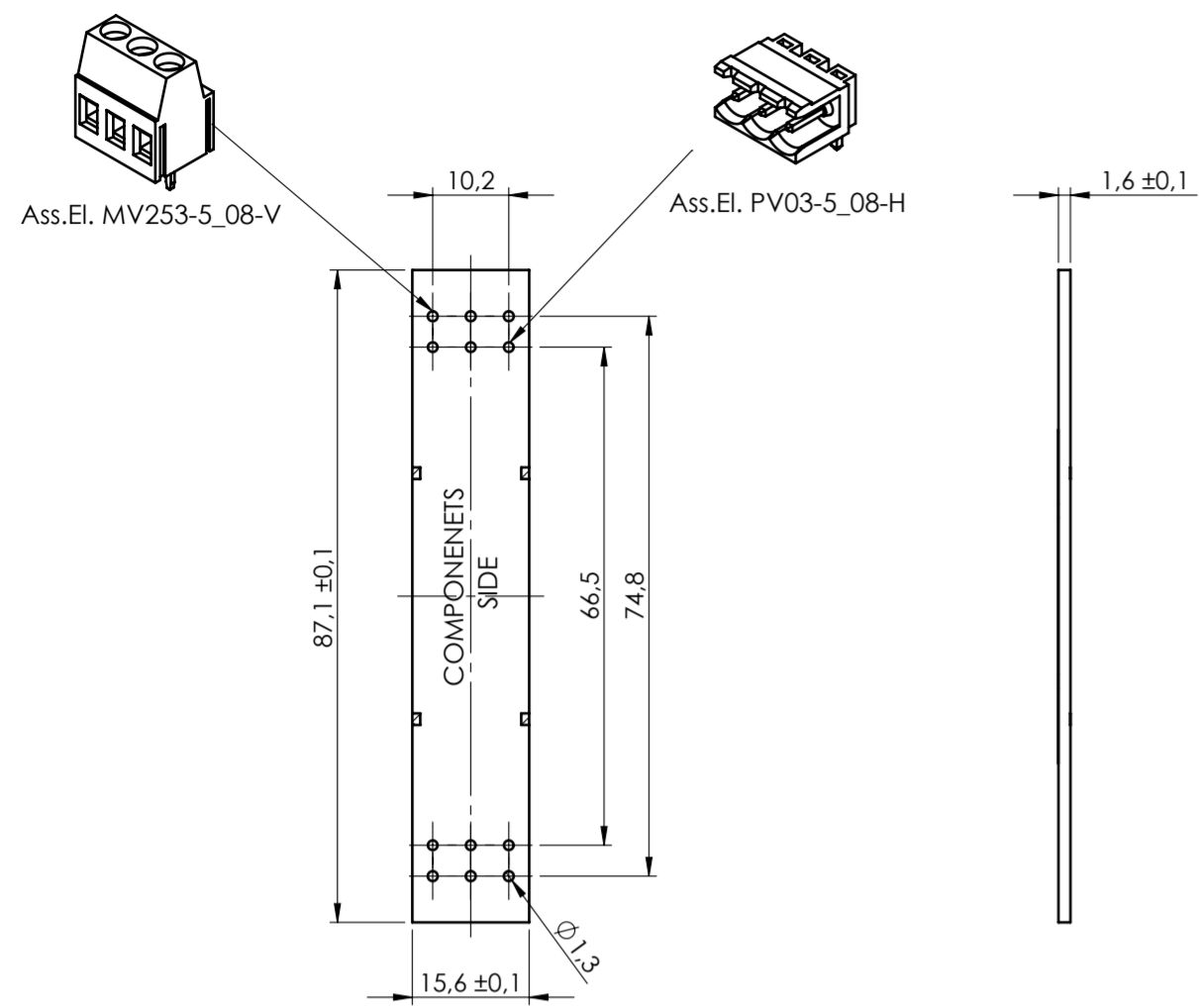


RIF.	Q.TY	DRAWING	DESCRIPTION
1	1	2_250_00165	BODY ENCLOSURE MODULBOX XTS 1M53-A
2	1	2_250_00092	BASE MODULBOX XTS 1M

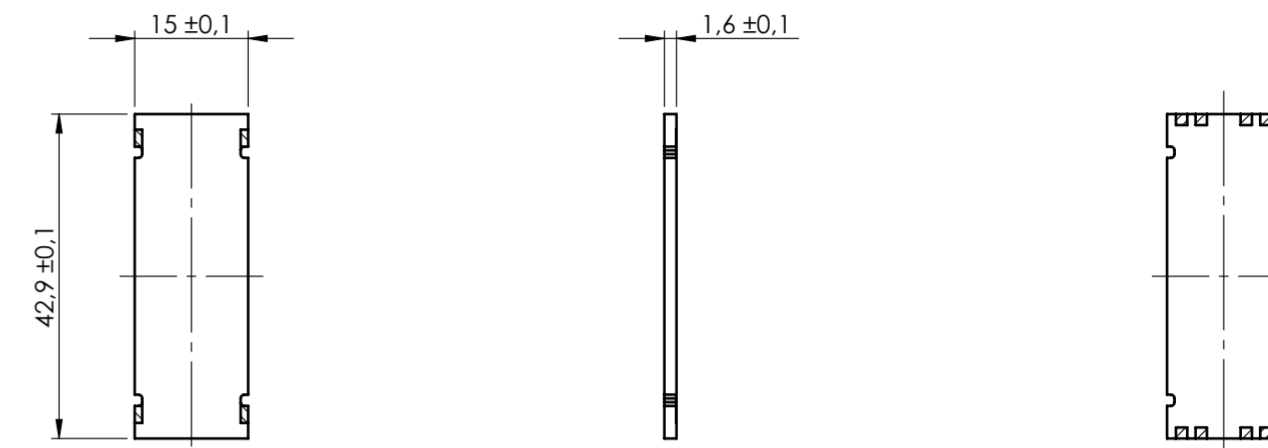
General Tolerance UNI EN 22768/1 Media (m)					Sheet:
from 0.5 to 3 ± 0.1	from 3 to 6 ± 0.1	from 6 to 30 ± 0.2	from 30 to 120 ± 0.3	from 120 to 400 ± 0.5	1
Scale:	Drawn:	Checked:	Date:	Material:	Process:
1:1		R.N.	05/07/2023		
Dimension in mm	Derived from:		Weight:	Cod. Mold:	
	---		gr	---	

		Description: KIT CONTENITORE MODULBOX XTS 1M53-A KIT ENCLOSURE MODULBOX XTS 1M53-A		Rev.:	01	A2
Drawing nr.: 3_250_00133		Drawing nr.: 3_250_00133				

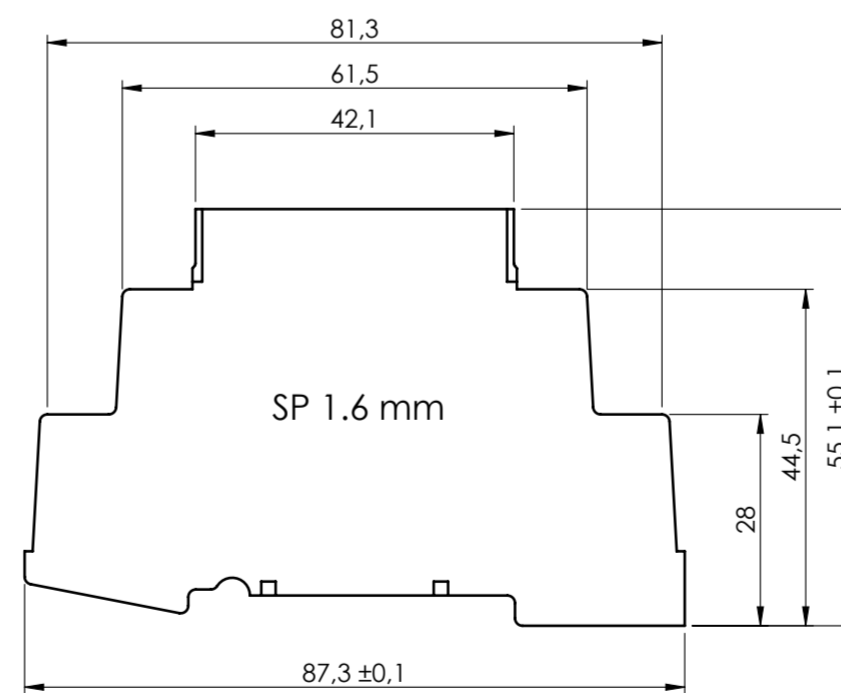
PCB A



PCB C



PCB V



General Tolerance UNI EN 22768/1 Media (m)					Sheet:	
from 0.5 to 3 ± 0.1	from 3 to 6 ± 0.1	from 6 to 30 ± 0.2	from 30 to 120 ± 0.3	from 120 to 400 ± 0.5	PCB	
Scale: 1:1	Drawn:	Checked: R.N.	Date: 05/07/2023	Material:	Process:	
Dimension in mm		Derived from: --	Weight: gr	Cod. Mold: --		
 enclosures for electronics italtronic.com		Description: KIT CONTENITORE MODULBOX XTS 1M53-A KIT ENCLOSURE MODULBOX XTS 1M53-A			Rev.: 01	A2
		Drawing nr.: 3_250_00133				

NO COMPONENTS AREA