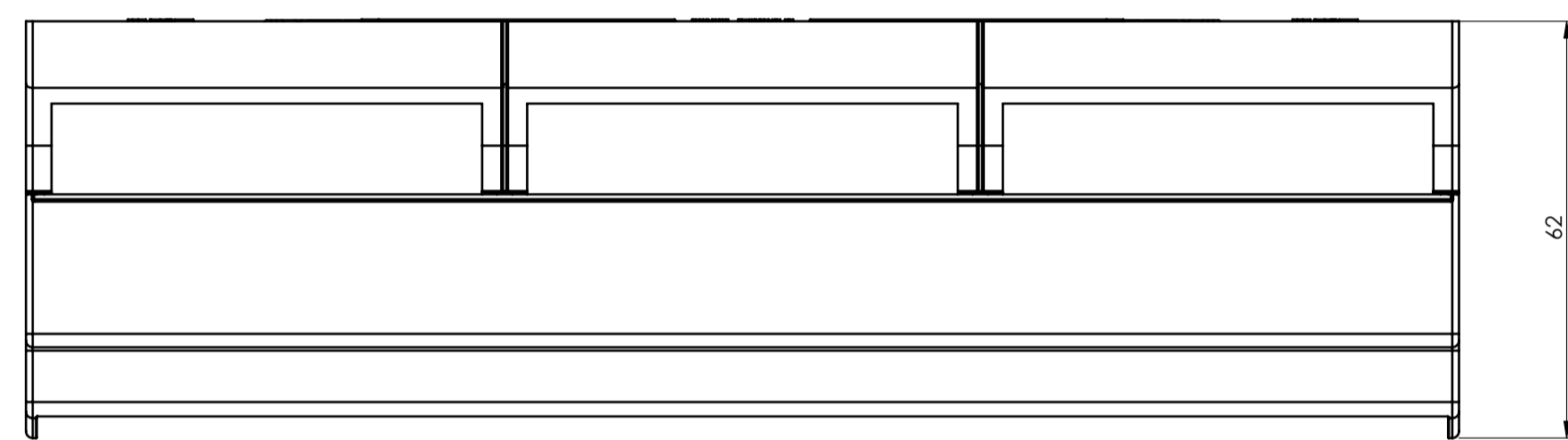
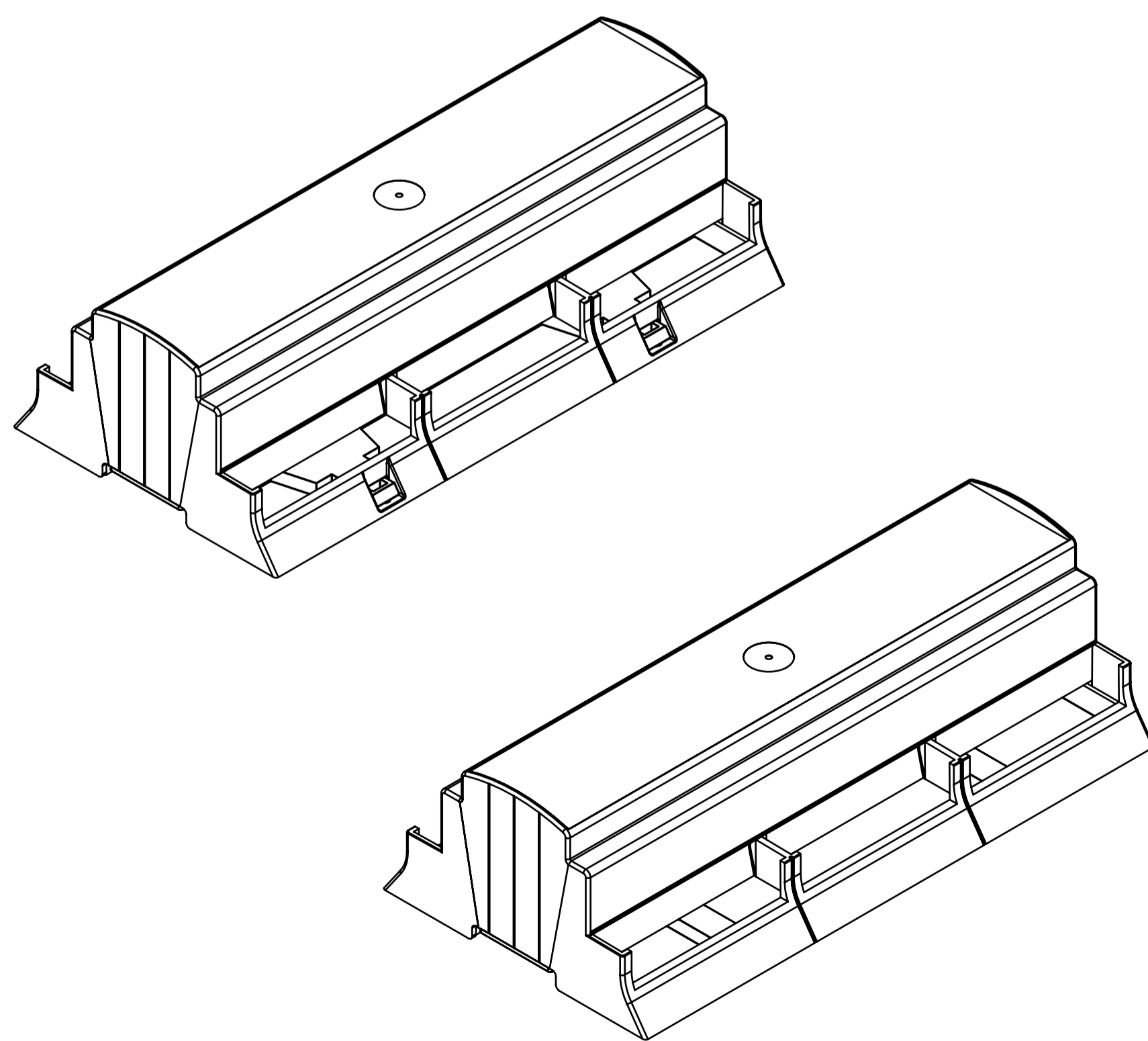
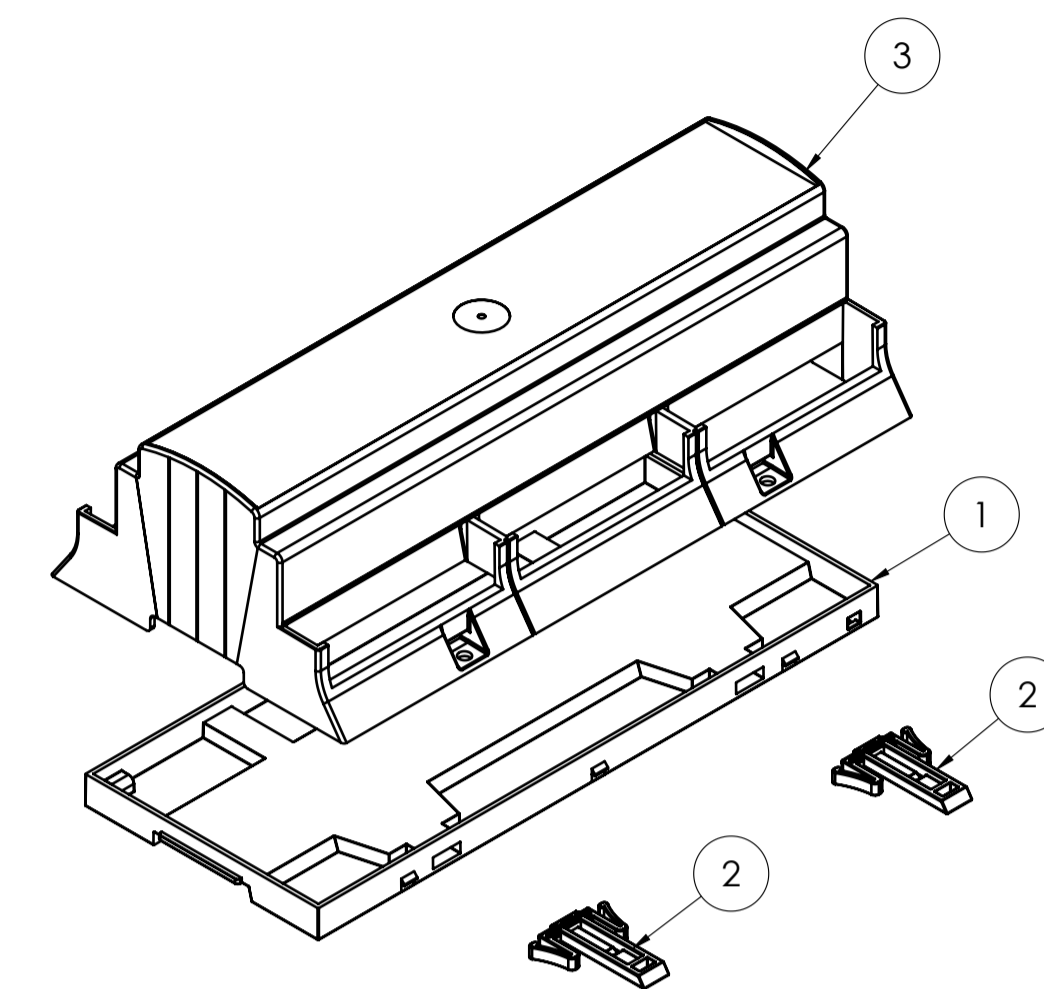
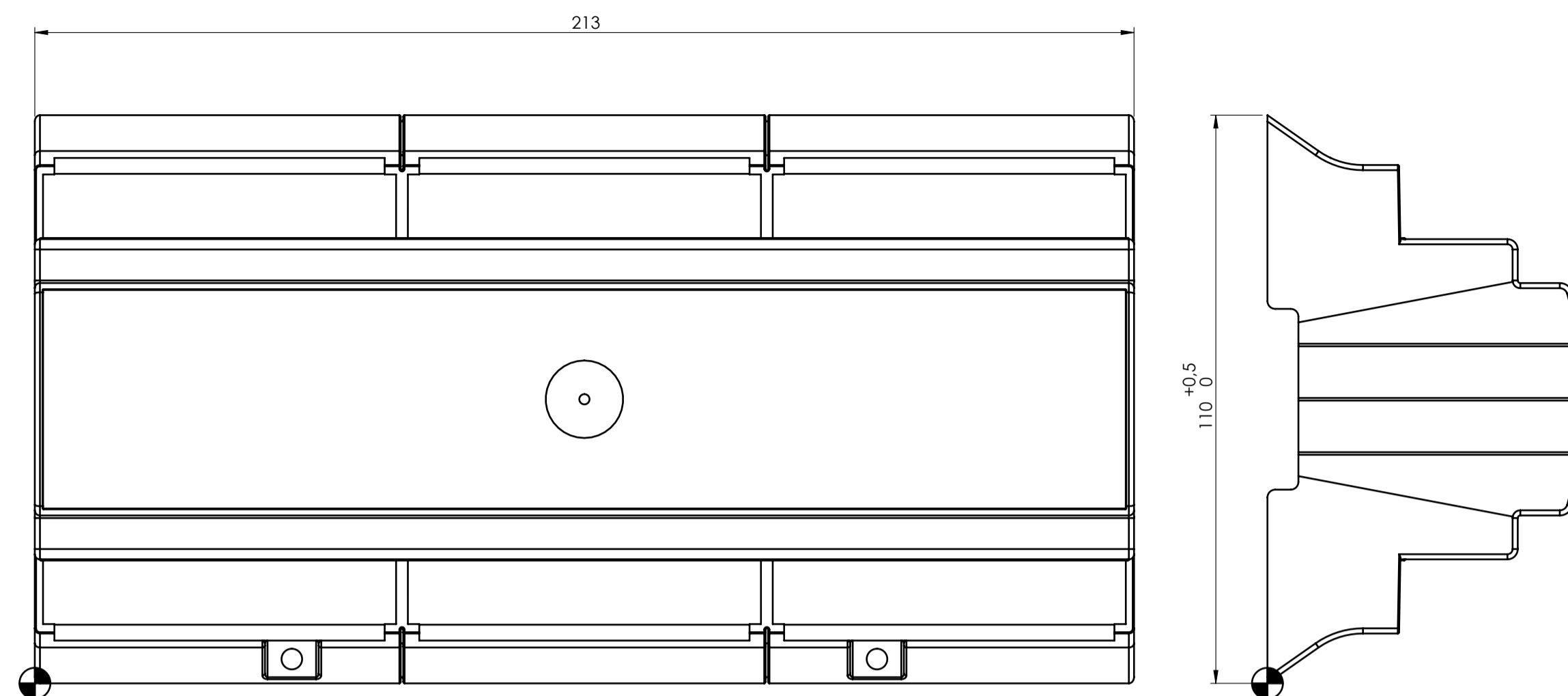


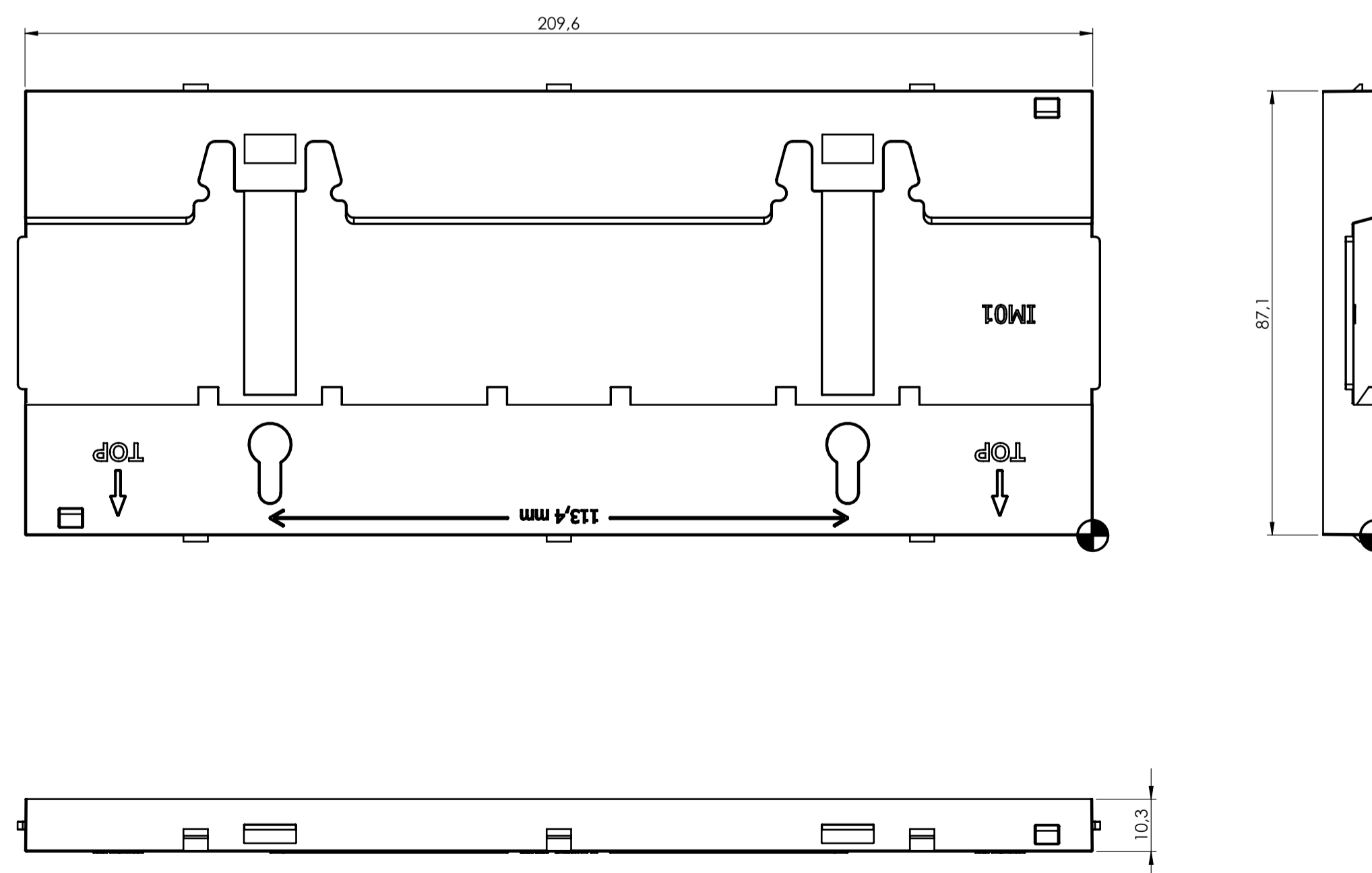
SECTION A-A



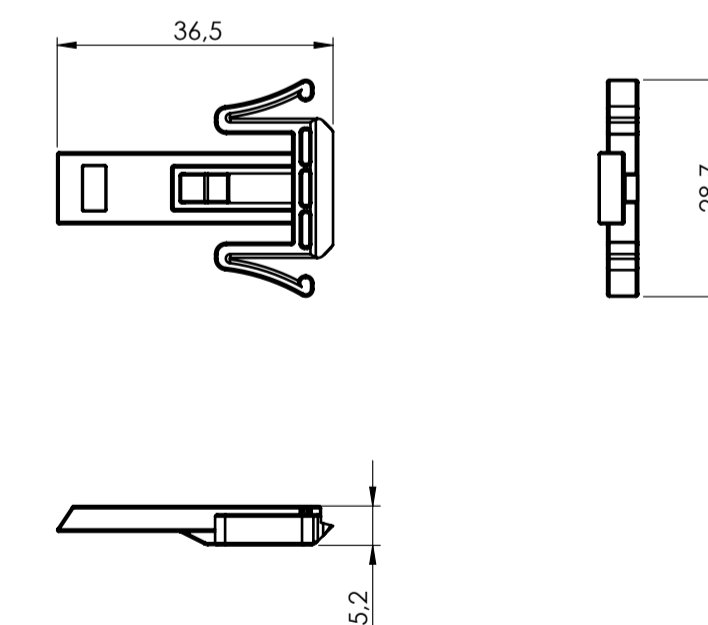
BODY ENCLOSURE



BASE



HOOK



General information:  
 - Workpiece zero point for mechanical processing  
 - Minimum recommended radius for machining = R1.0 mm  
 - Mounting rail like EN 60715; TH 35-15  
 - Recommended PCB outline on [www.italtronic.com](http://www.italtronic.com)

RIF.	Q.TY	DRAWING	DESCRIPTION
1	1	2_250_03627	BASE MODULBOX XT-XTS 12M
2	2	2_250_00072	HOOK FOR MODULBOX XT-XTS
3	1	2_250_03896	BODY ENCLOSURE MODULBOX XT

Dimension in mm	General Tolerance (MIE EN 22768/1) Medio [mm]	Sheet
from 0.5 to 3	from 3 to 6	1
± 0.1	± 0.1	
	from 6 to 30	
	± 0.2	
	from 30 to 120	
	± 0.3	
	from 120 to 400	
	± 0.5	

Scale	Drawn by	Checked by	Date	Material	Process
1:1	R.N.	R.N.	06/04/2022	PC/ABS	INJECTION

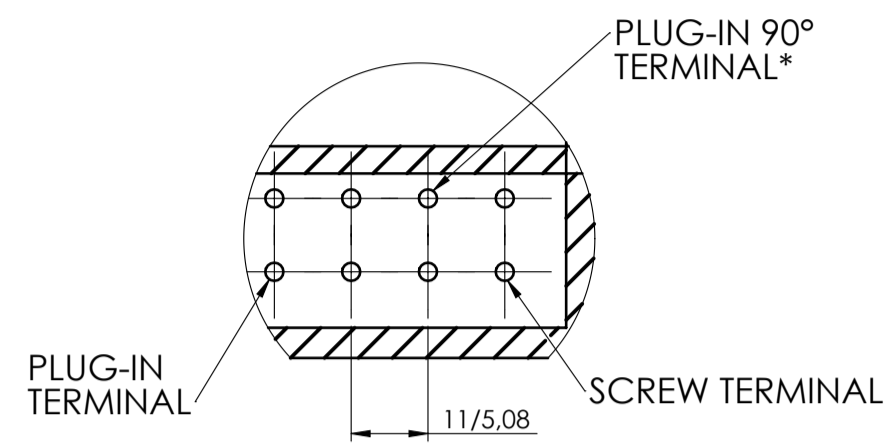
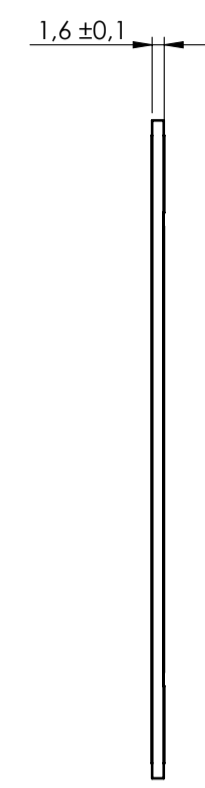
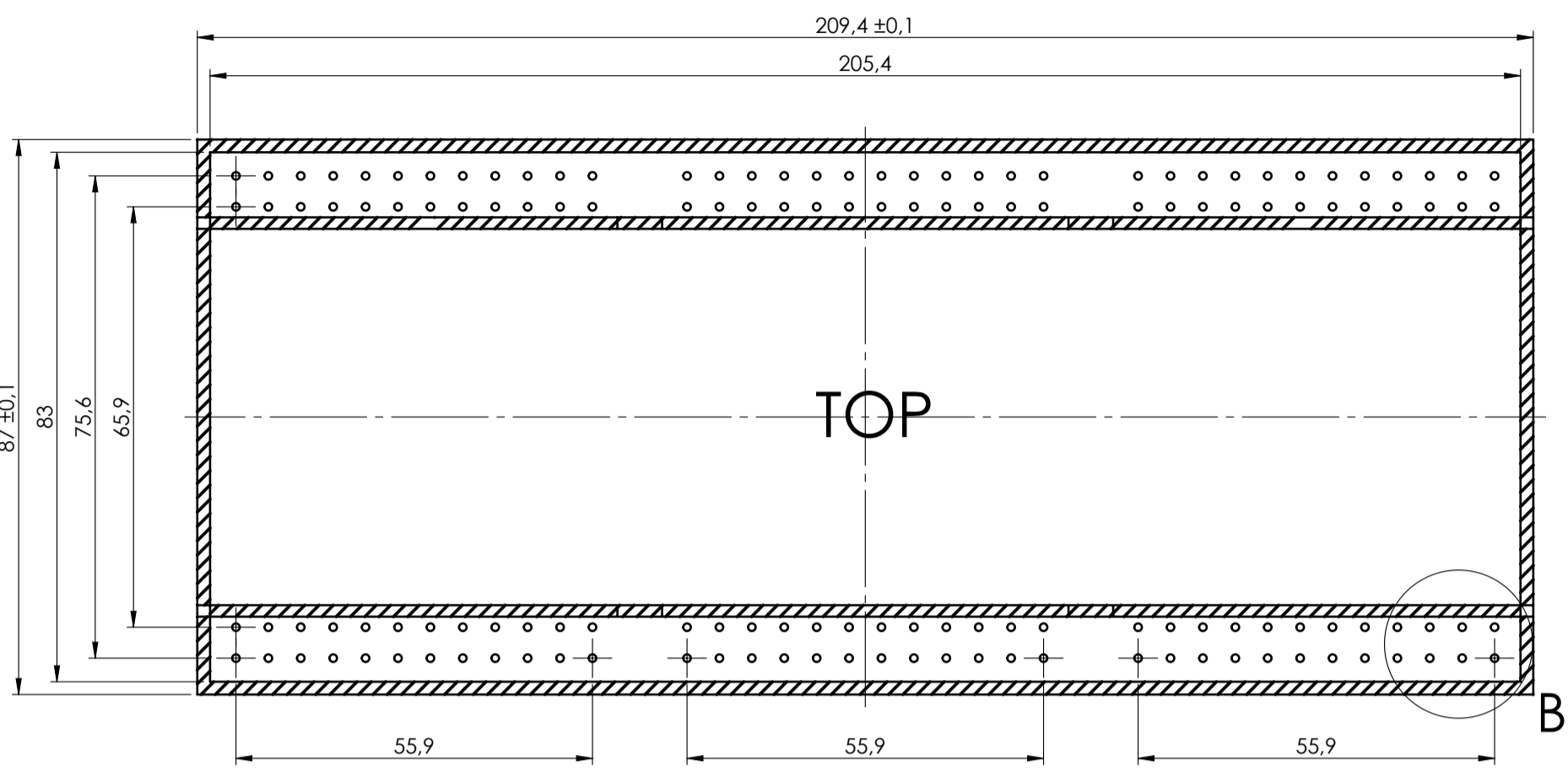
Description	Weight	Cod. Mold
BASE MODULBOX XT-XTS 12M BASE MODULBOX XT-XTS 12M	52.55 gr	ST.0512500

italtronic enclosures for electronics italtronic.com	Drawing ref. <b>2_250_03627</b>	Rev.: - A1
--	------------------------------------	------------------

Max height of the terminal:  
 Modulbox XT/XTS: 18.5 mm  
 Modulbox ONE: 20 mm

PCB A



DETAIL B  
 SCALE 2 : 1

General Tolerance 198 EN 22768/1 Media [m]					Sheet:
from 0.5 to 3 ± 0.1	from 3 to 6 ± 0.1	from 6 to 30 ± 0.2	from 30 to 120 ± 0.3	from 120 to 400 ± 0.5	PCB
Scale:	1:1	Drawn:	R.N.	Checked:	R.N.
Dimension in mm	---	Date:	06/04/2022	Material:	PC/ABS
		Derived from:	---	Weight:	52.55 gr
				Cod. Mold:	SI.0512500
<b>italtronic</b> enclosures for electronics itatronic.com					Description: BASE MODULBOX XT-XTS 12M BASE MODULBOX XT-XTS 12M Drawing nr: <b>2_250_03627</b>
				Rev.:	-
					A1

NO COMPONENTS AREA