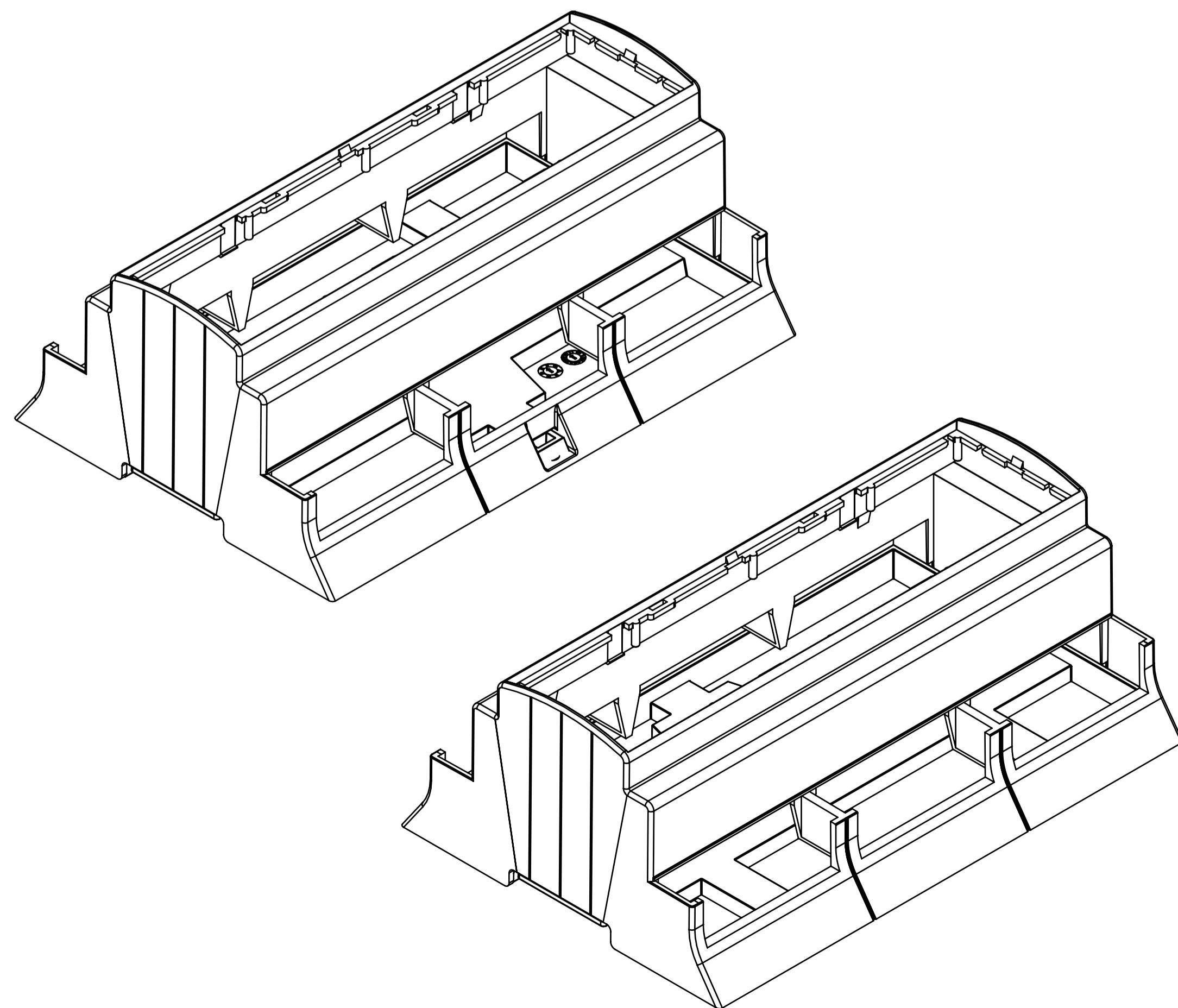
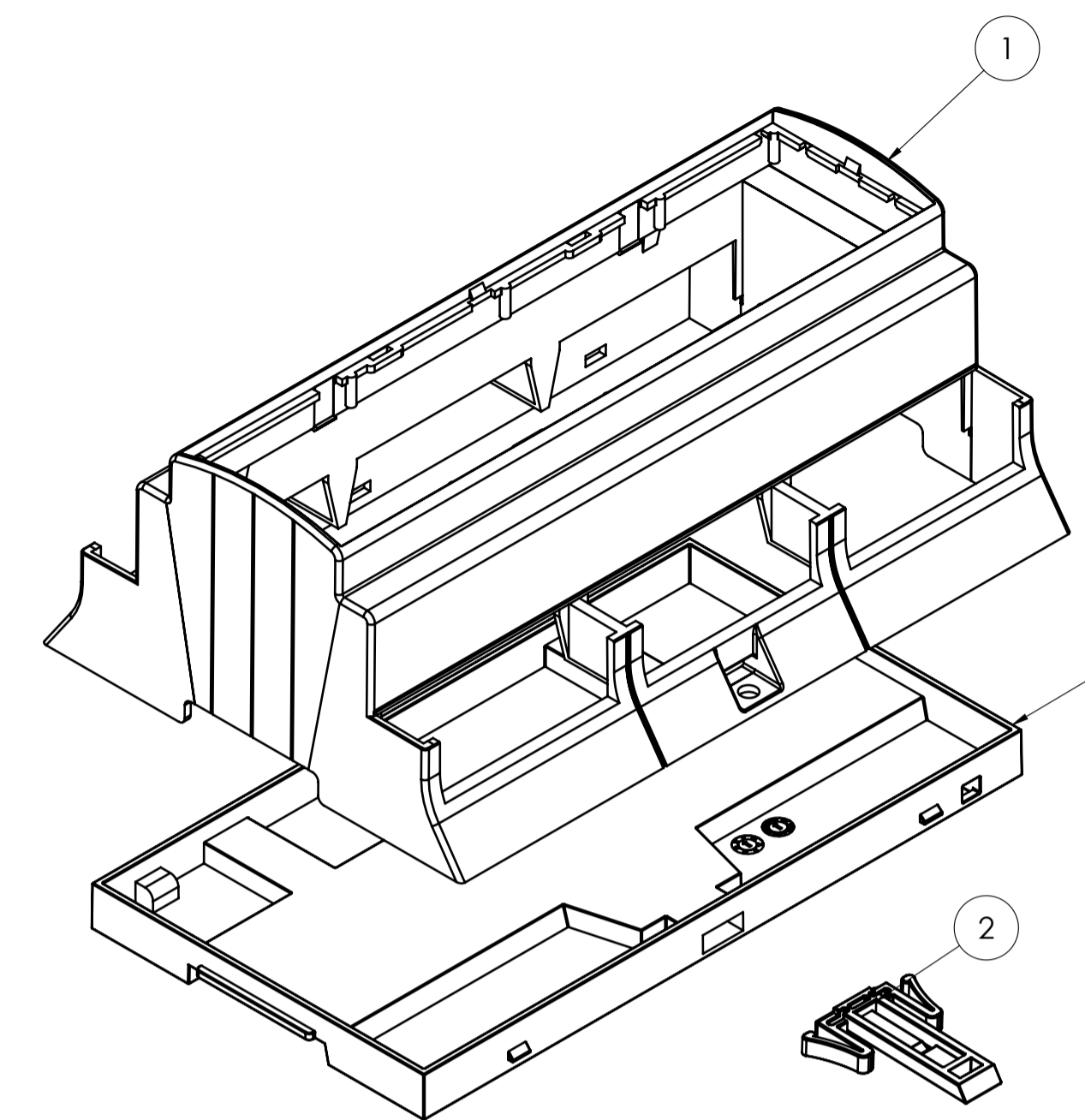
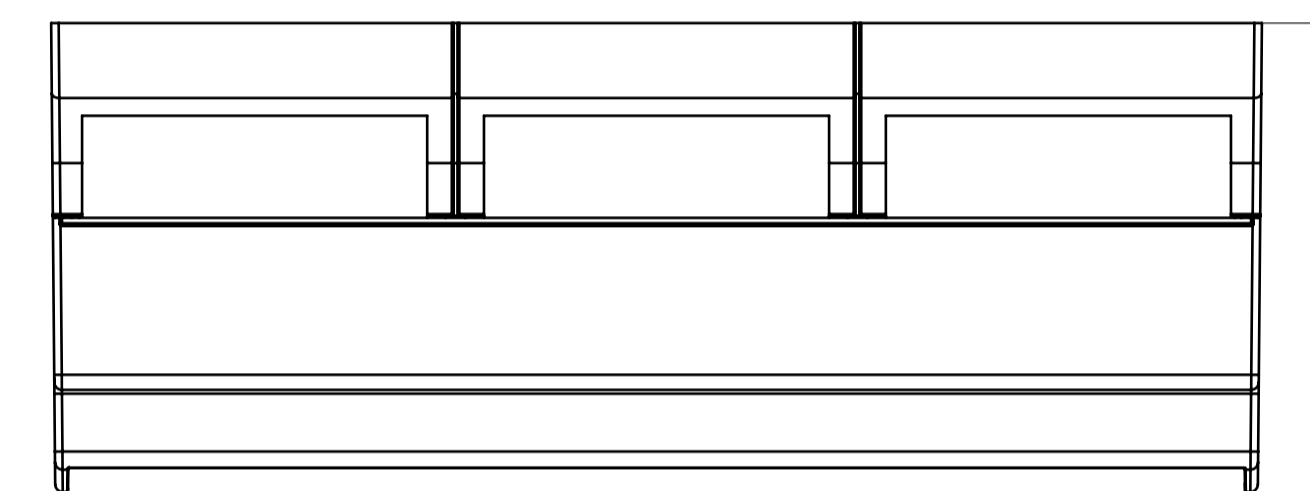
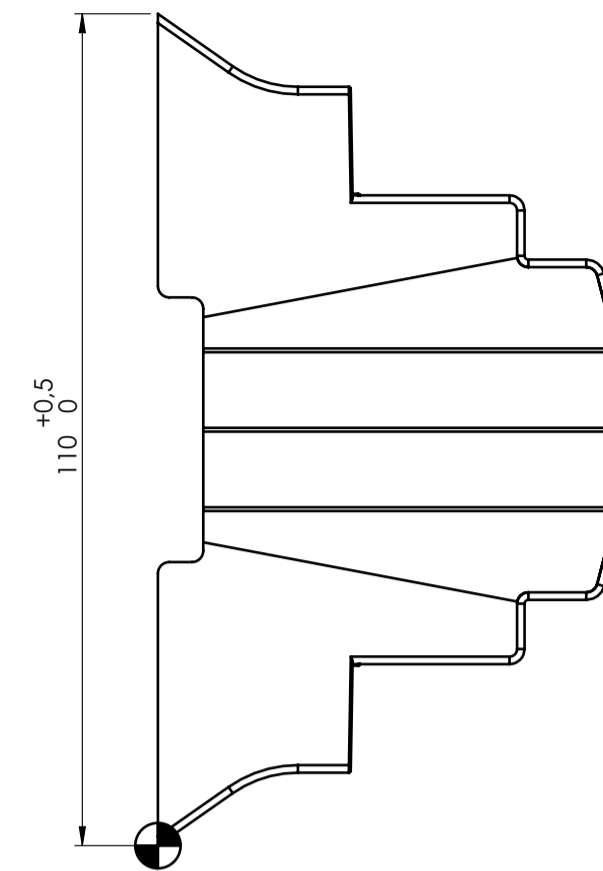
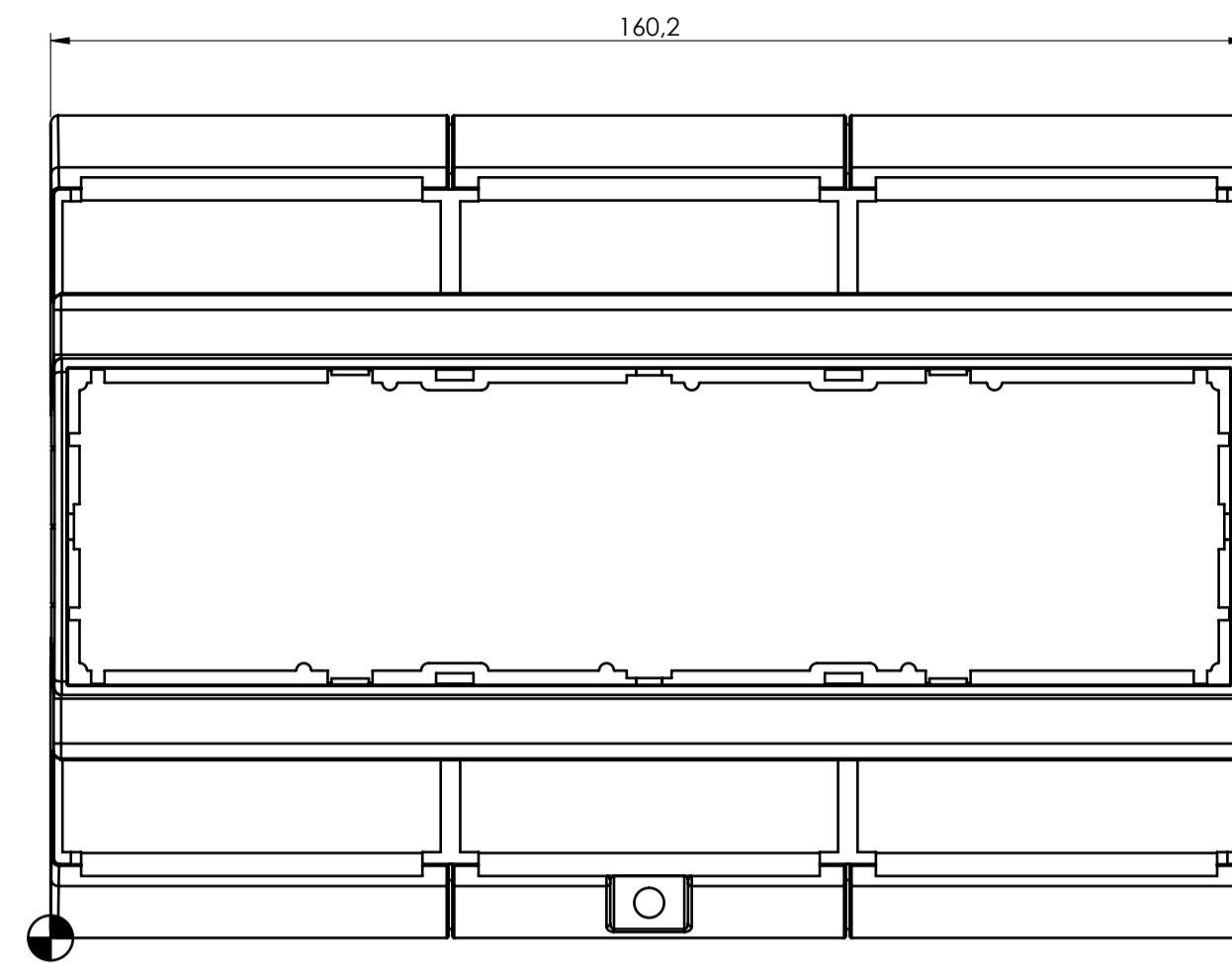
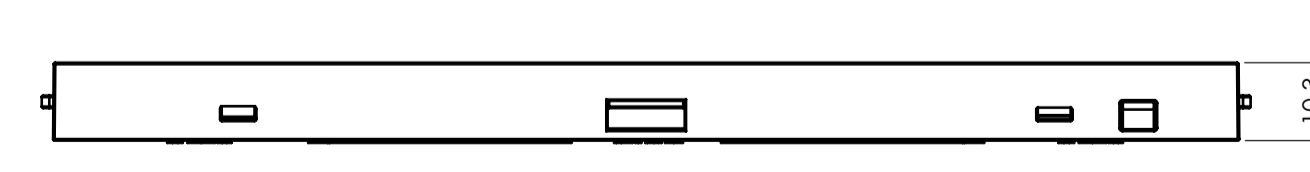
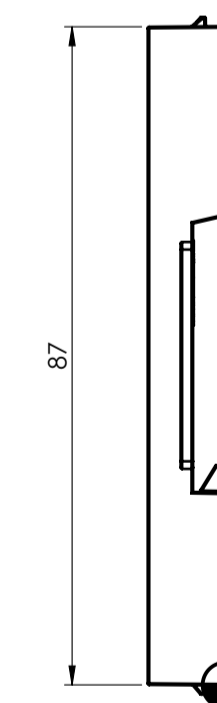
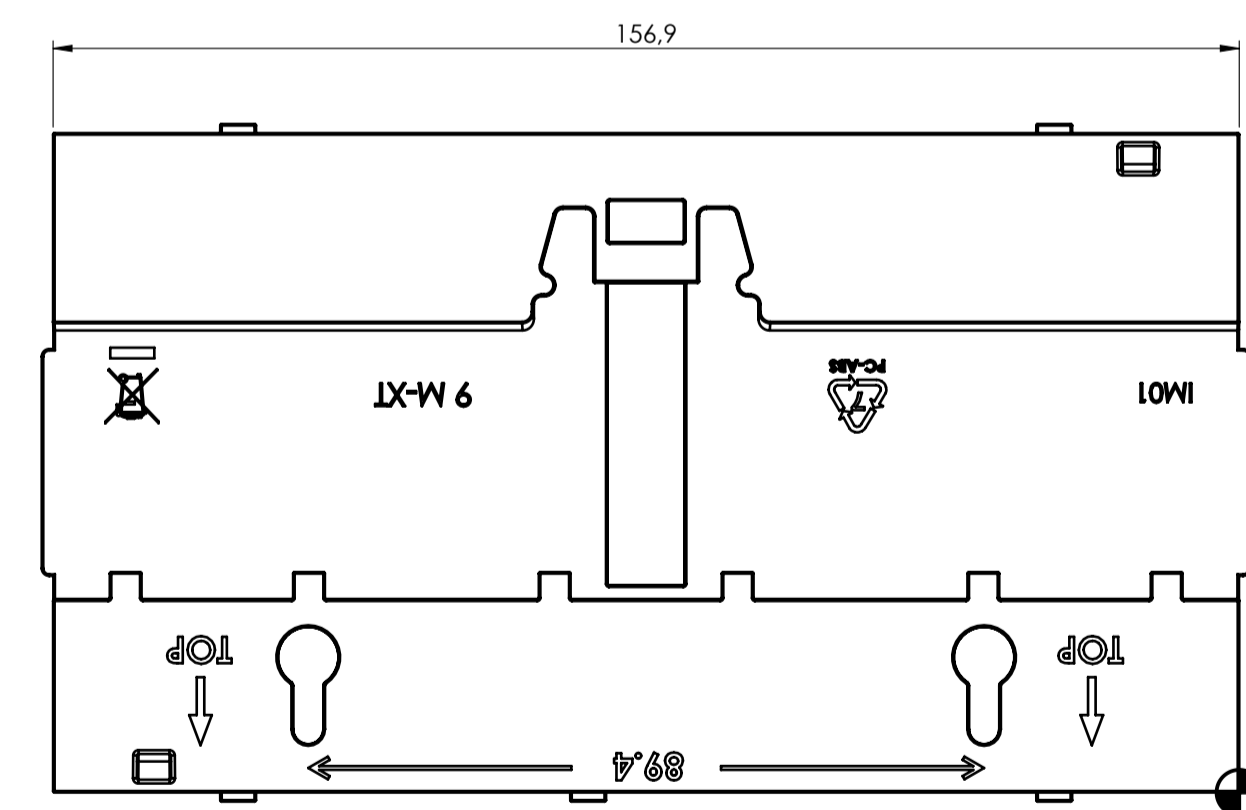


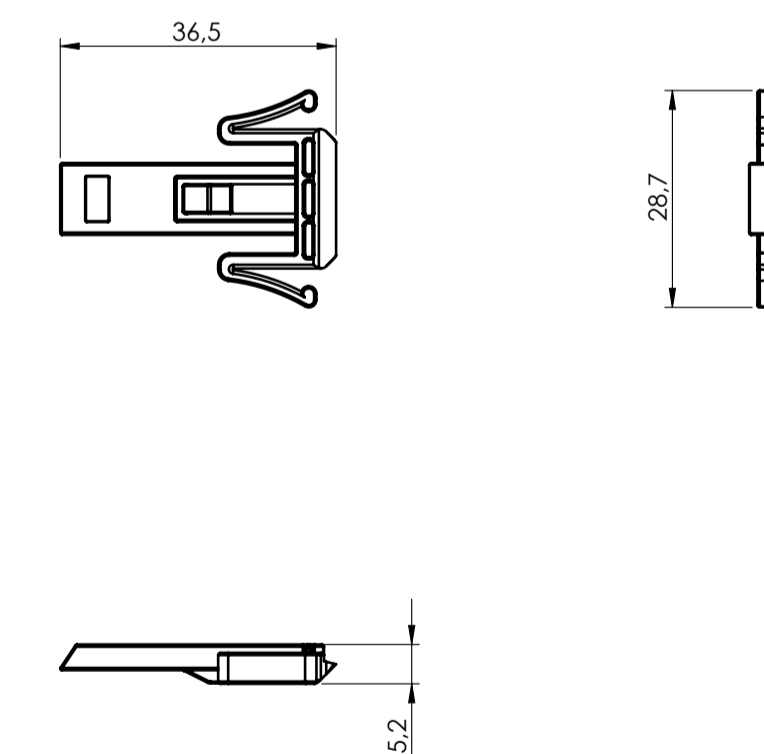
BODY ENCLOSURE



BASE



HOOK



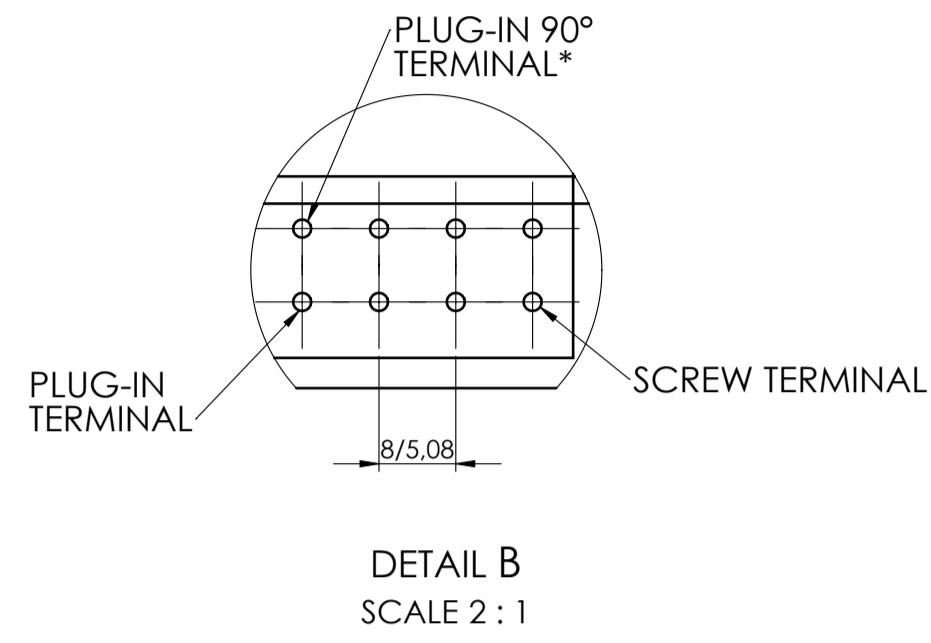
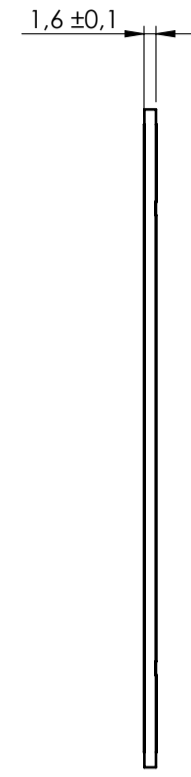
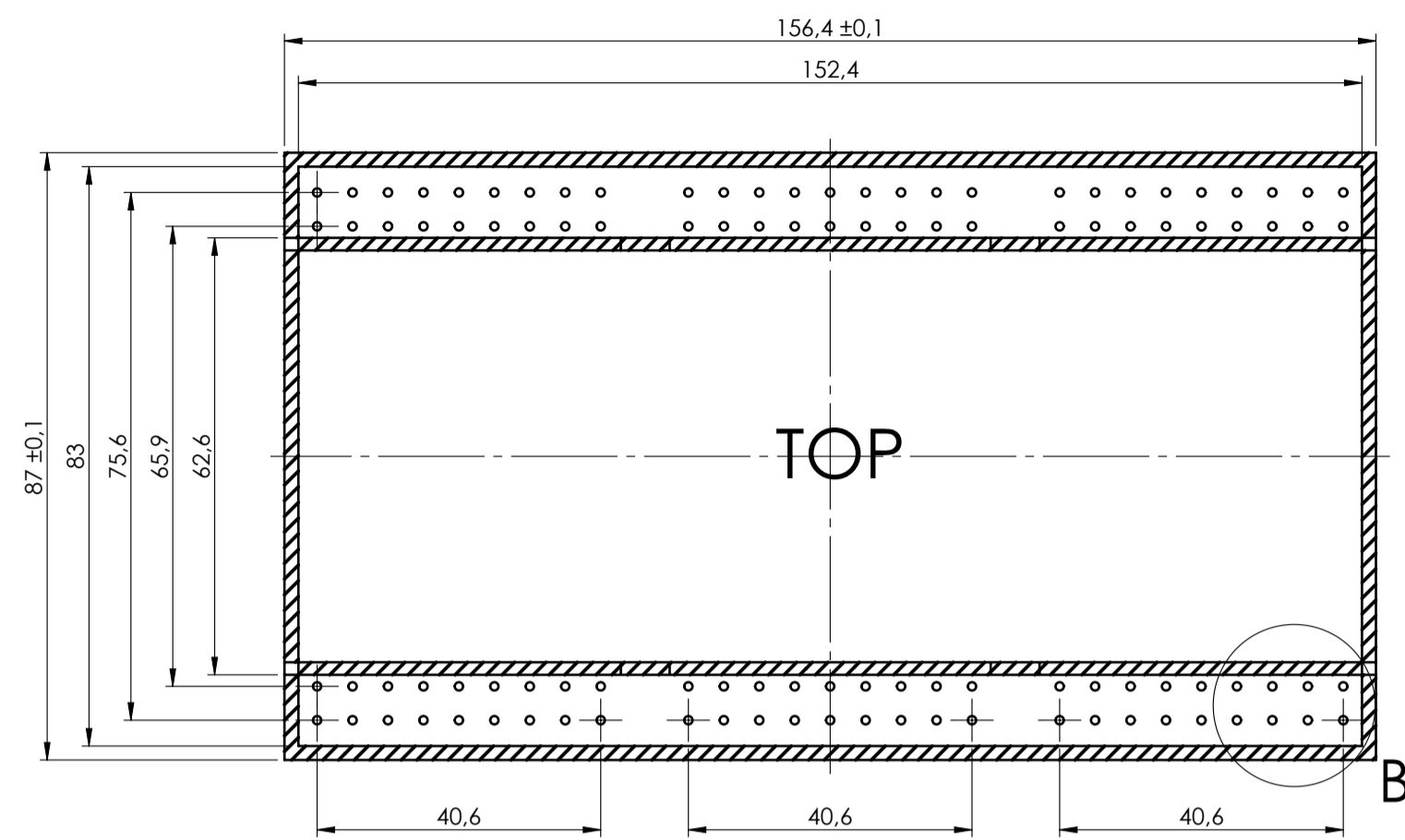
General information:
 - Workpiece zero point for mechanical processing
 - Minimum recommended radius for machining = R1.0 mm
 - Mounting rail like EN 60715; TH 35-15
 - Recommended PCB outline on www.italtronic.com

RIF.	Q.TY	DRAWING	DESCRIPTION
1	1	2_250_00136	--
2	1	2_250_00072	HOOK FOR MODULBOX XT-XTS
3	1	2_250_00086	BASE 9M MODULBOX XT-XTS

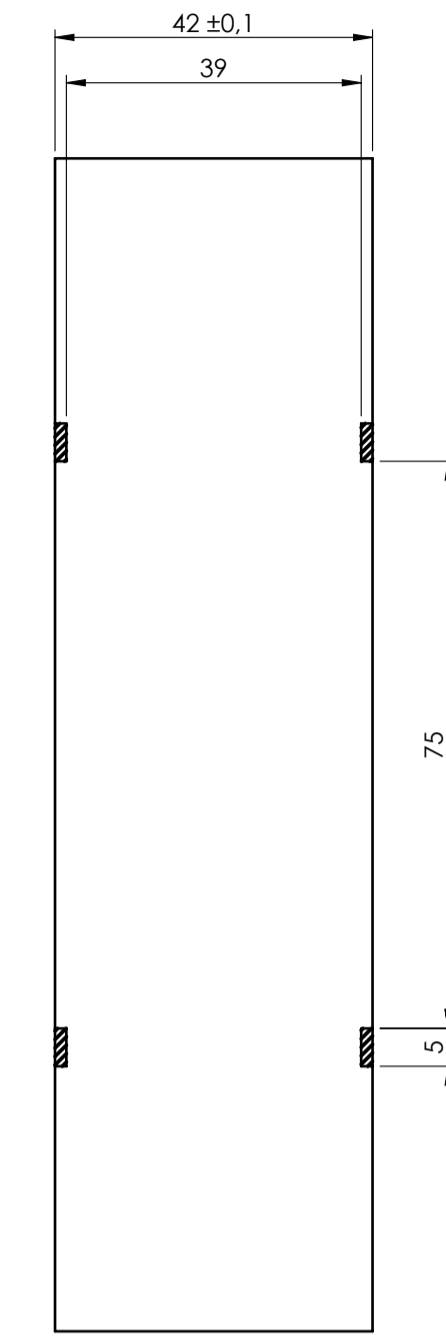
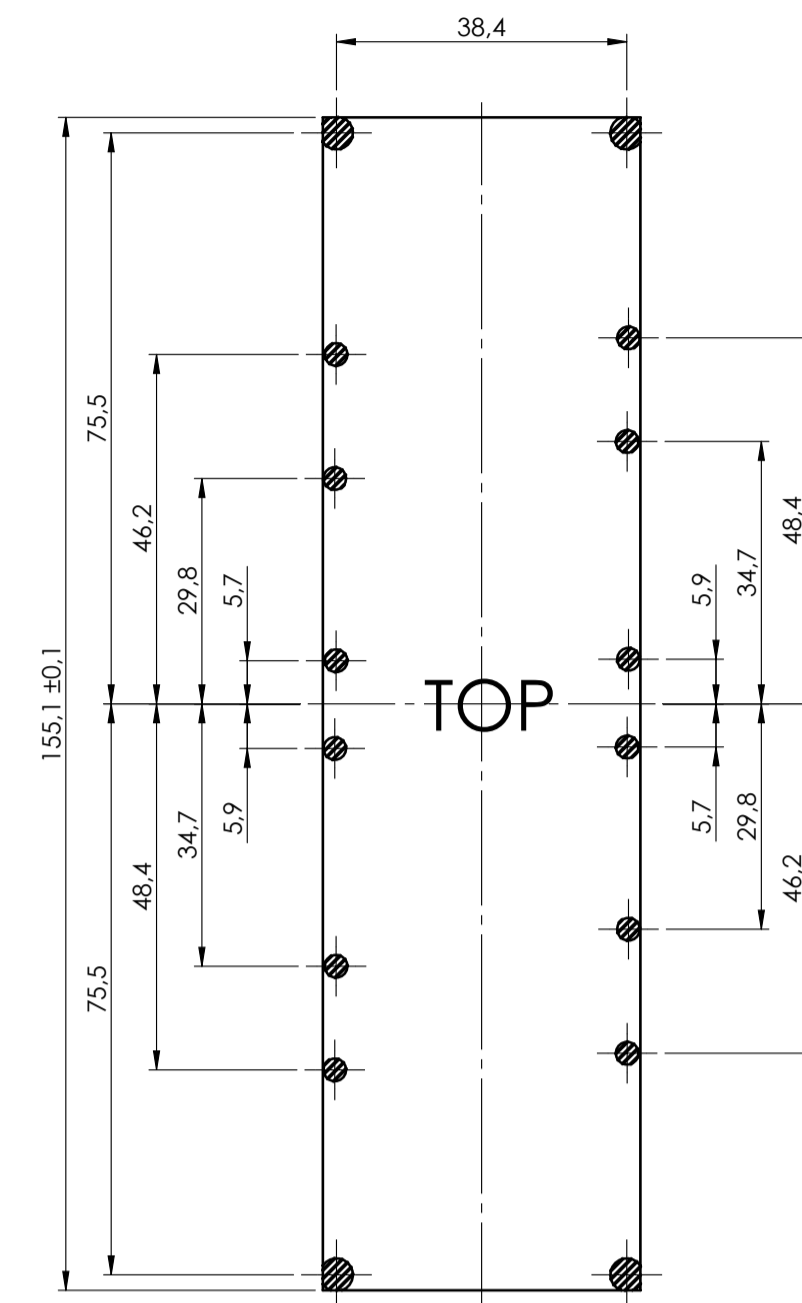
General Tolerance (Rif. EN 22768/1 Media [mm])				Sheet:	
from 0.5 to 3	from 3 to 6	from 6 to 30	from 30 to 120	from 120 to 400	1
±0.1	±0.1	±0.2	±0.3	±0.5	
Scale:	Drawn:	Checked:	Date:	Material:	Process:
1:1	R.N.	R.N.	04/02/2021	PC/ABS	INJECTION
Dimension in mm	Derived from:		Weight:	Cod. Mold:	
			40.06 gr	ST.0512500	
 Description: BASE 9M MODULBOX XT-XTS BASE 9M MODULBOX XT-XTS Drawing ref: 2_250_00086				Rev:	A1
				01	

Max height of the terminal:
 Modulbox XT/XTS: 18.5 mm
 Modulbox ONE: 20 mm

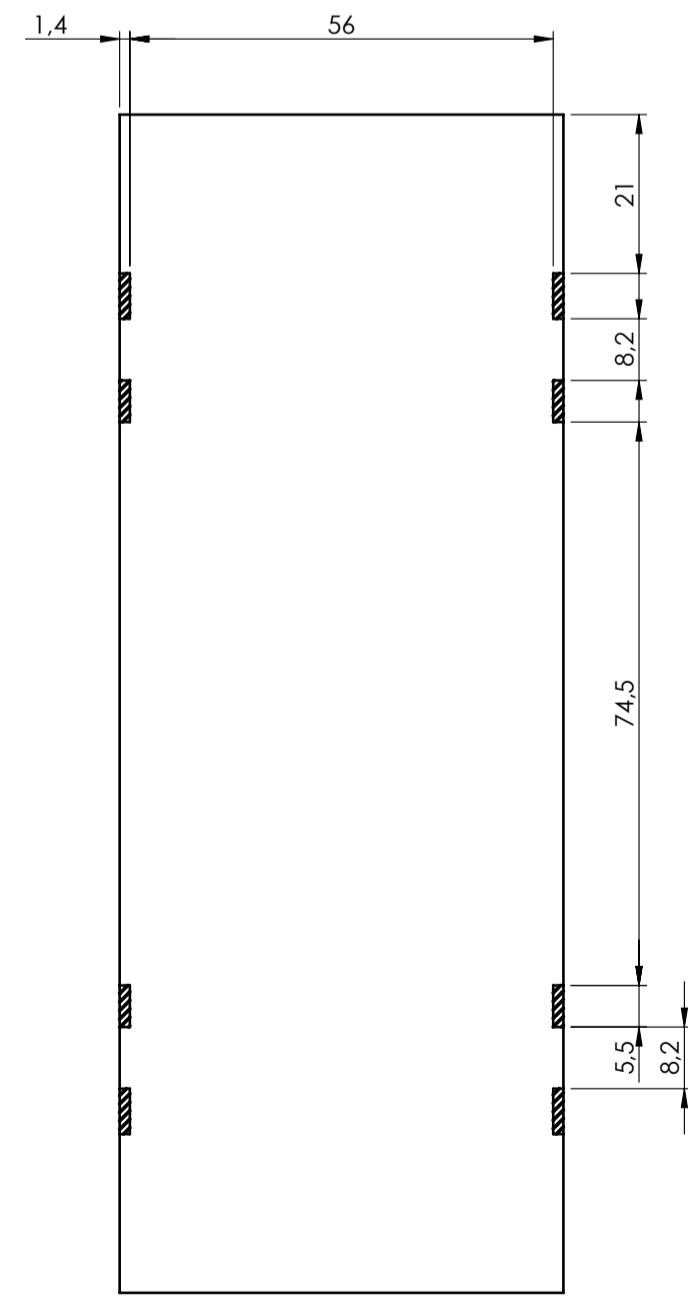
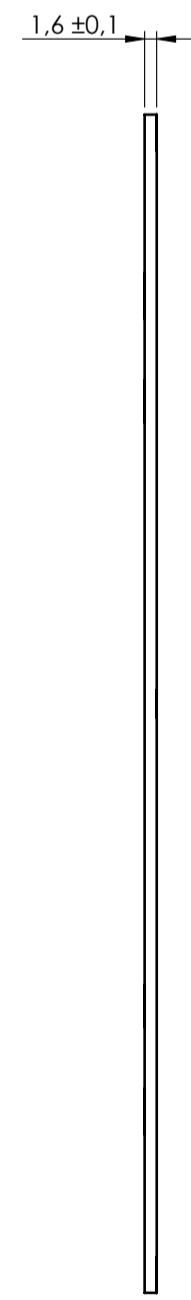
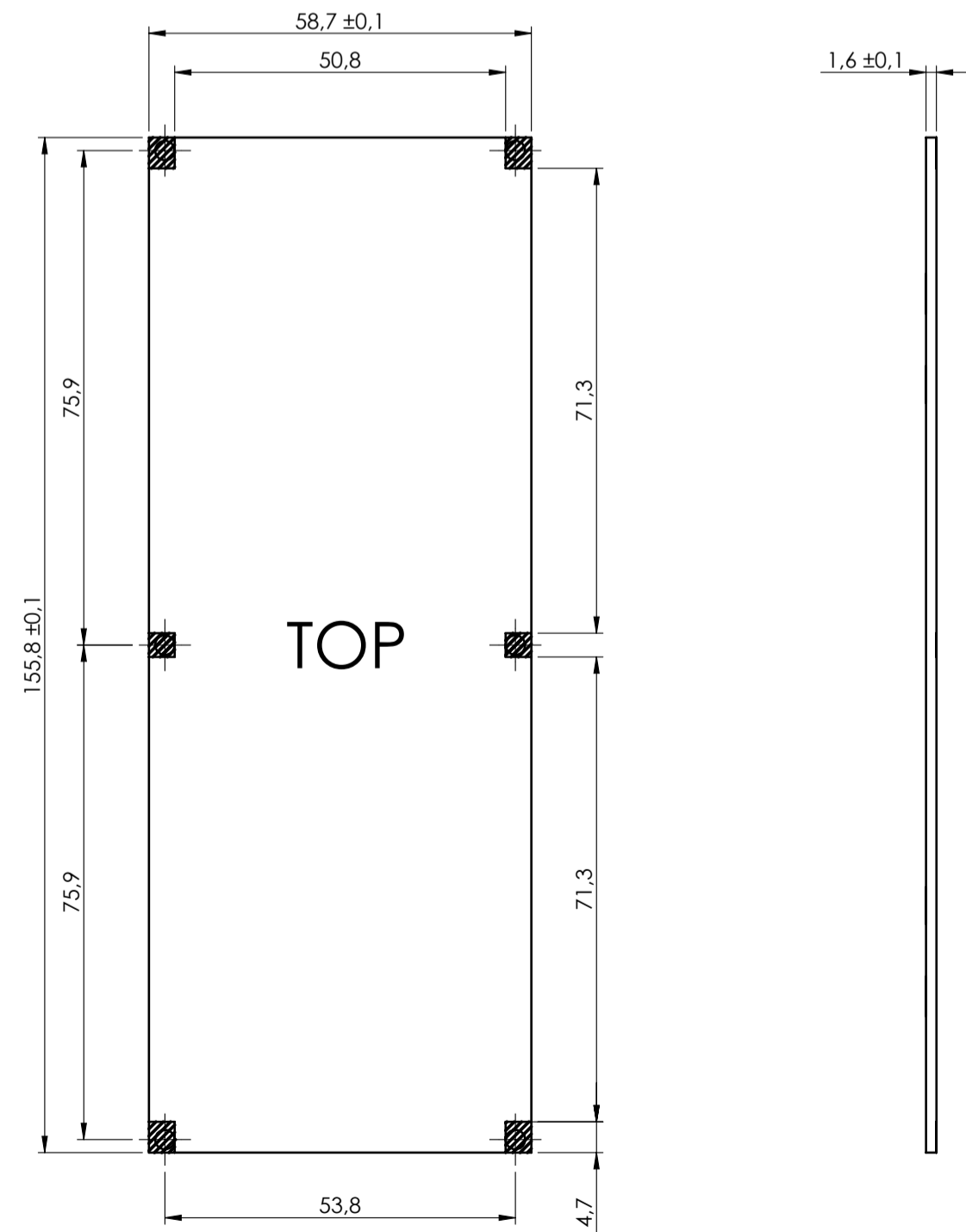
PCB A



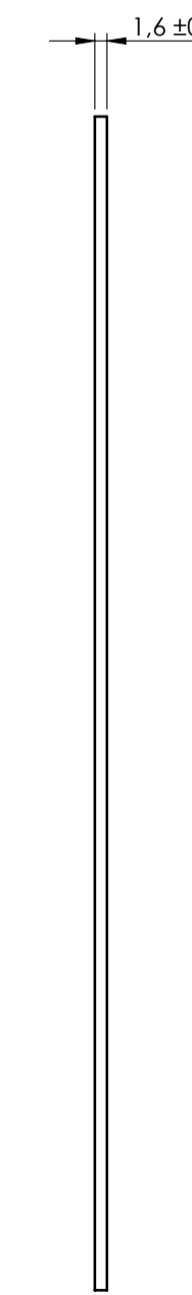
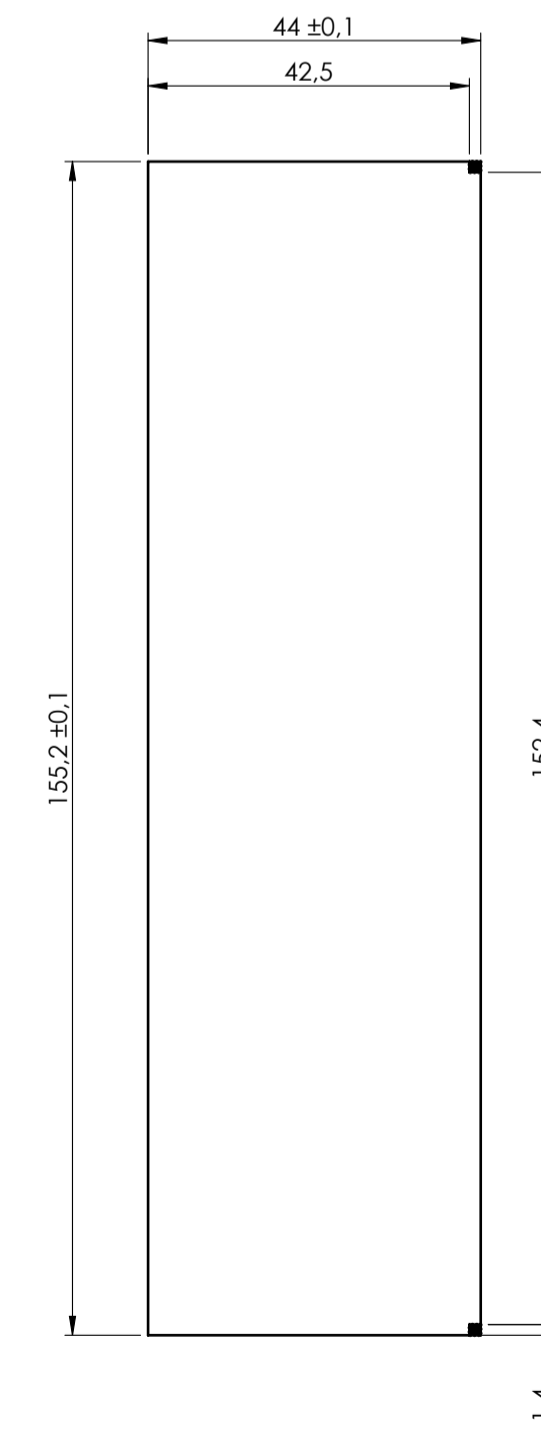
PCB C



PCB B



PCB V2



General Tolerance 198 EN 22768/1 Media (m)				Sheet:	
from 0.5 to 3 ± 0.1	from 3 to 6 ± 0.1	from 6 to 30 ± 0.2	from 30 to 120 ± 0.3	from 120 to 400 ± 0.5	PCB
Scale:	Drawn:	Checked:	Date:	Material:	Process:
1:1	R.N.	R.N.	04/02/2021	PC/ABS	INJECTION
Dimension in mm	Derived from:		Weight:	Cod. Mold:	
	---		40.06 gr	ST.0512500	
Description:				Rev:	
BASE 9M MODULBOX XT-XTS BASE 9M MODULBOX XT-XTS				01 A1	
Drawing nr:				2_250_00086	
NO COMPONENTS AREA				Italtрони	
enclosures for electronics				Italtрони.com	