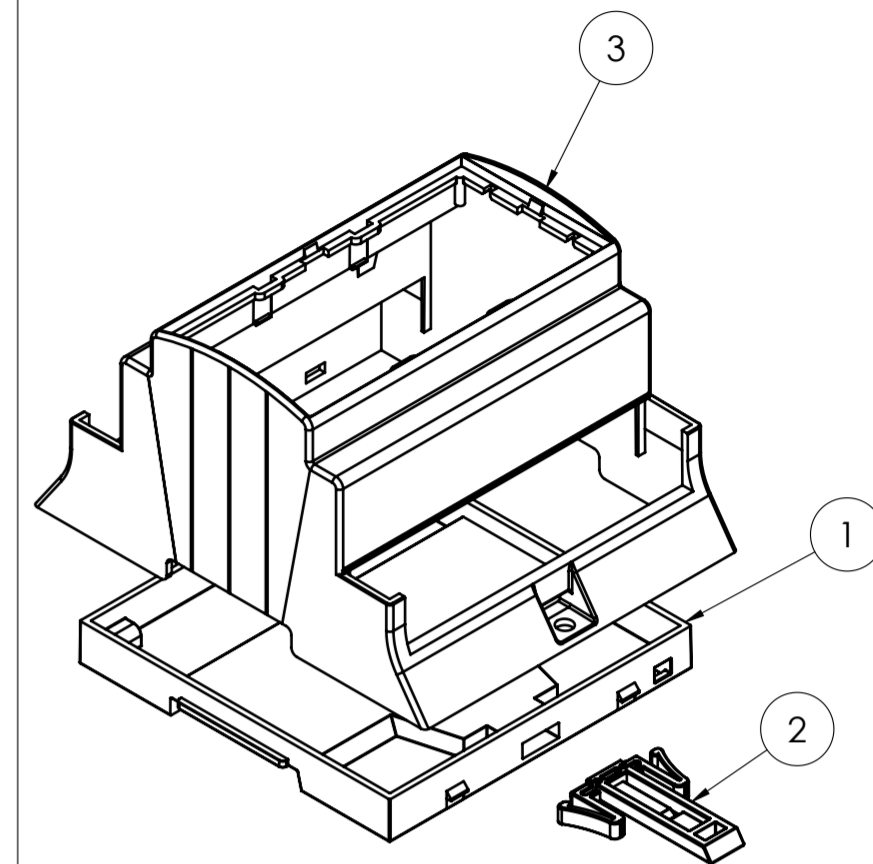
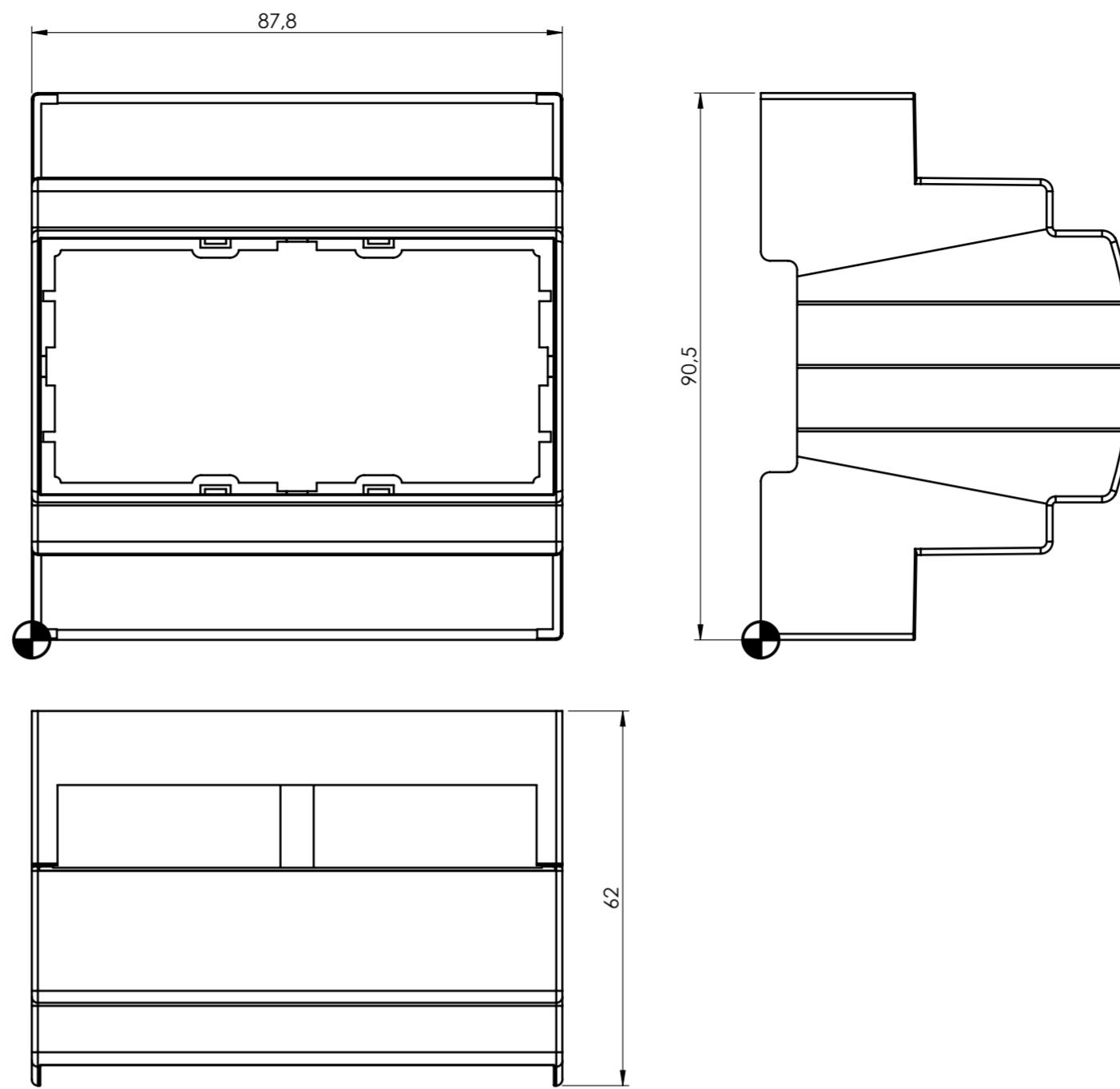
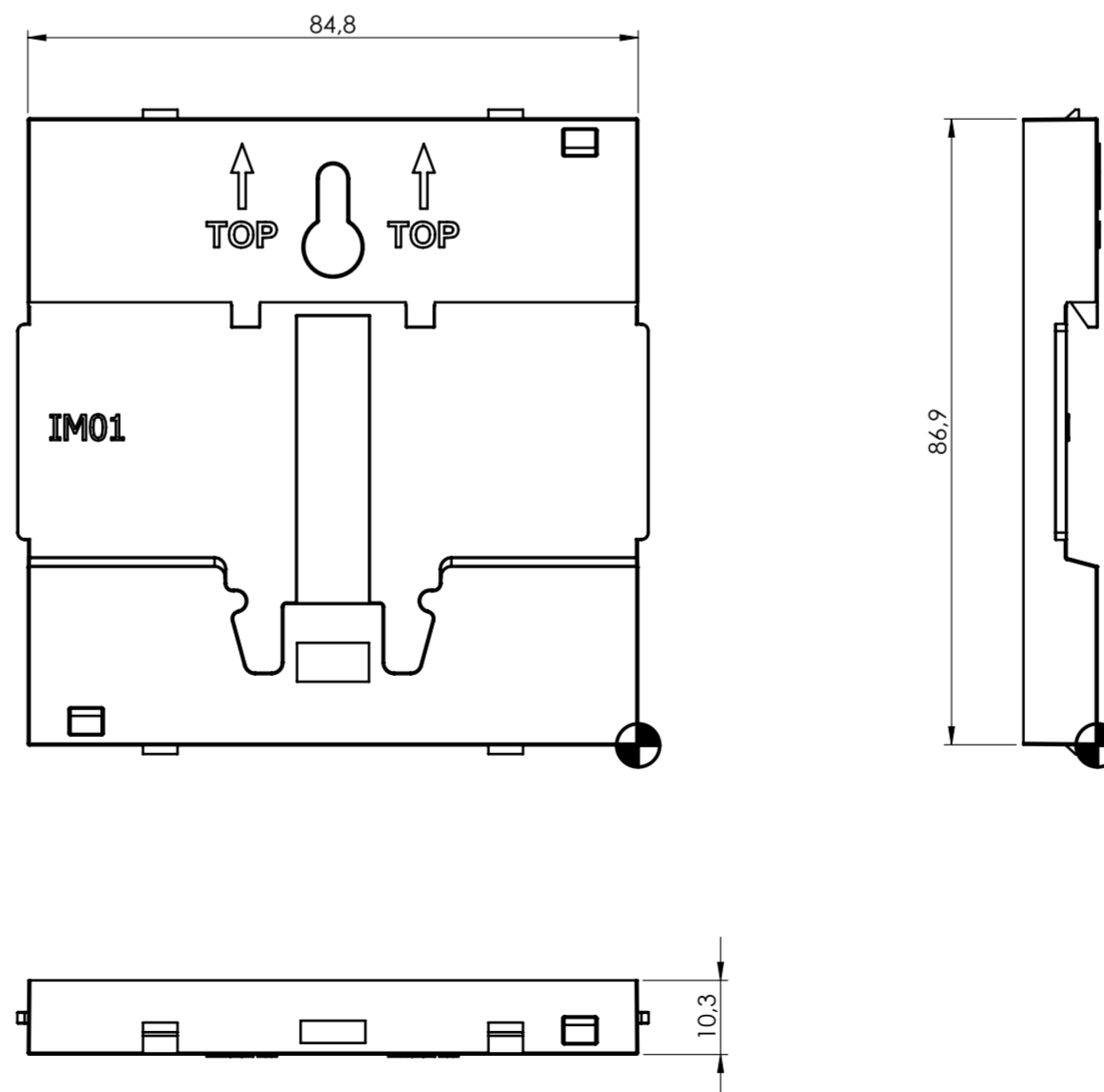


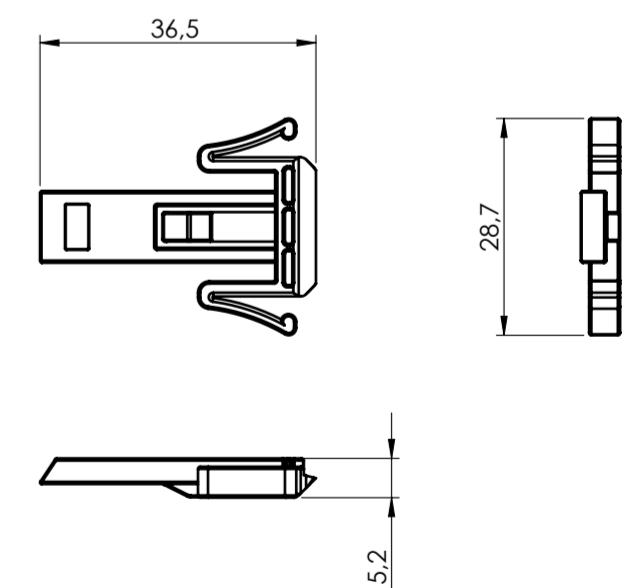
### BODY ENCLOSURE



### BASE



### HOOK



General information:  
 - Workpiece zero point for mechanical processing  
 - Minimum recommended radius for machining = R1.0 mm  
 - Mounting rail like EN 60715: TH 35-15  
 - Recommended PCB outline on [www.italtronic.com](http://www.italtronic.com)

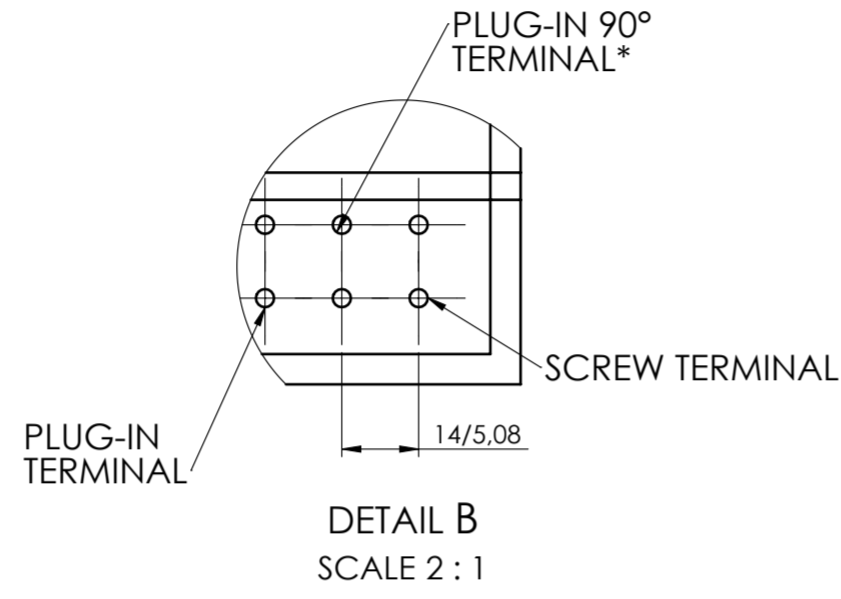
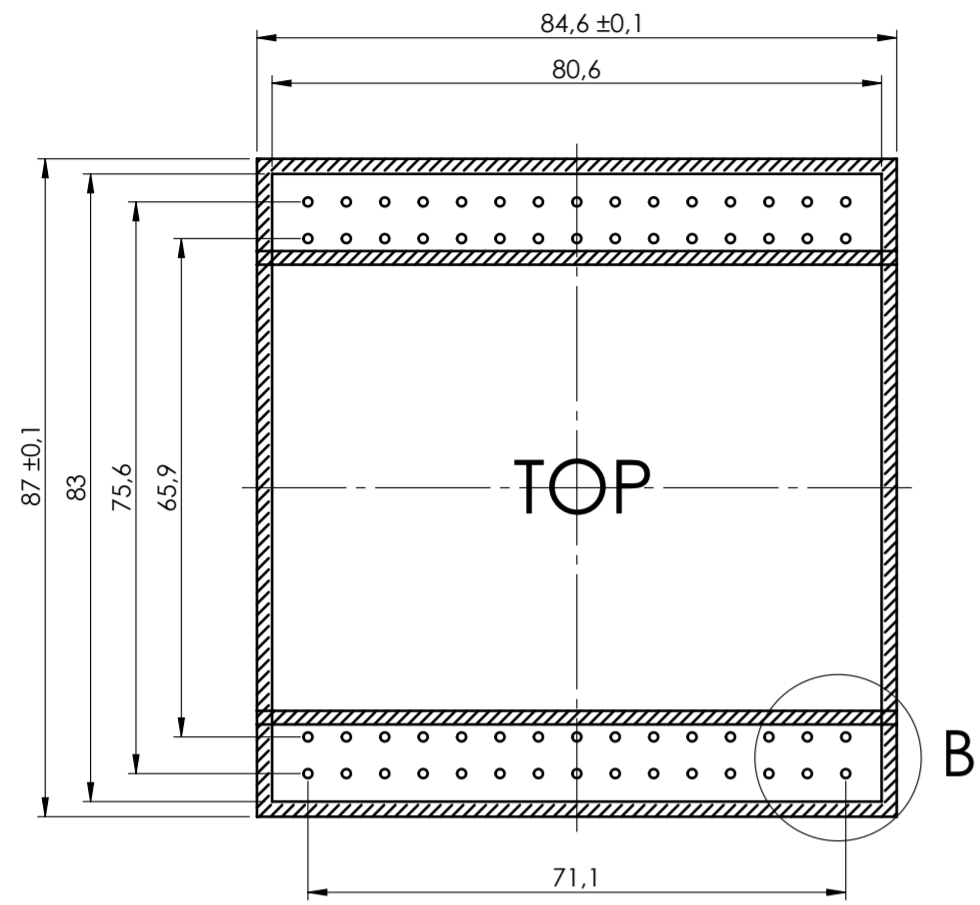
RIF.	Q.TY	DRAWING	DESCRIPTION
1	1	2_250_03678	BASE MODULBOX XT\XTS - 5M
2	1	2_250_00072	HOOK FOR MODULBOX XT\XTS
3	1	2_250_03850	BODY MODULBOX XTS 5MH53-A

General Tolerance UNI EN 22768/1 Media (m)						Sheet:
from 0.5 to 3	from 3 to 6	from 6 to 30	from 30 to 120	from 120 to 400		1
± 0.1	± 0.1	± 0.2	± 0.3	± 0.5		
Scale:	IM:	Drawed:	Checked:	Date:	Material:	Process:
1:1	--	M.S.	R.N.	22/11/2023		
Dimension in mm		Replaces the:		Derived from:	Weight:	Cod. Mold:
		M-04088			gr	--

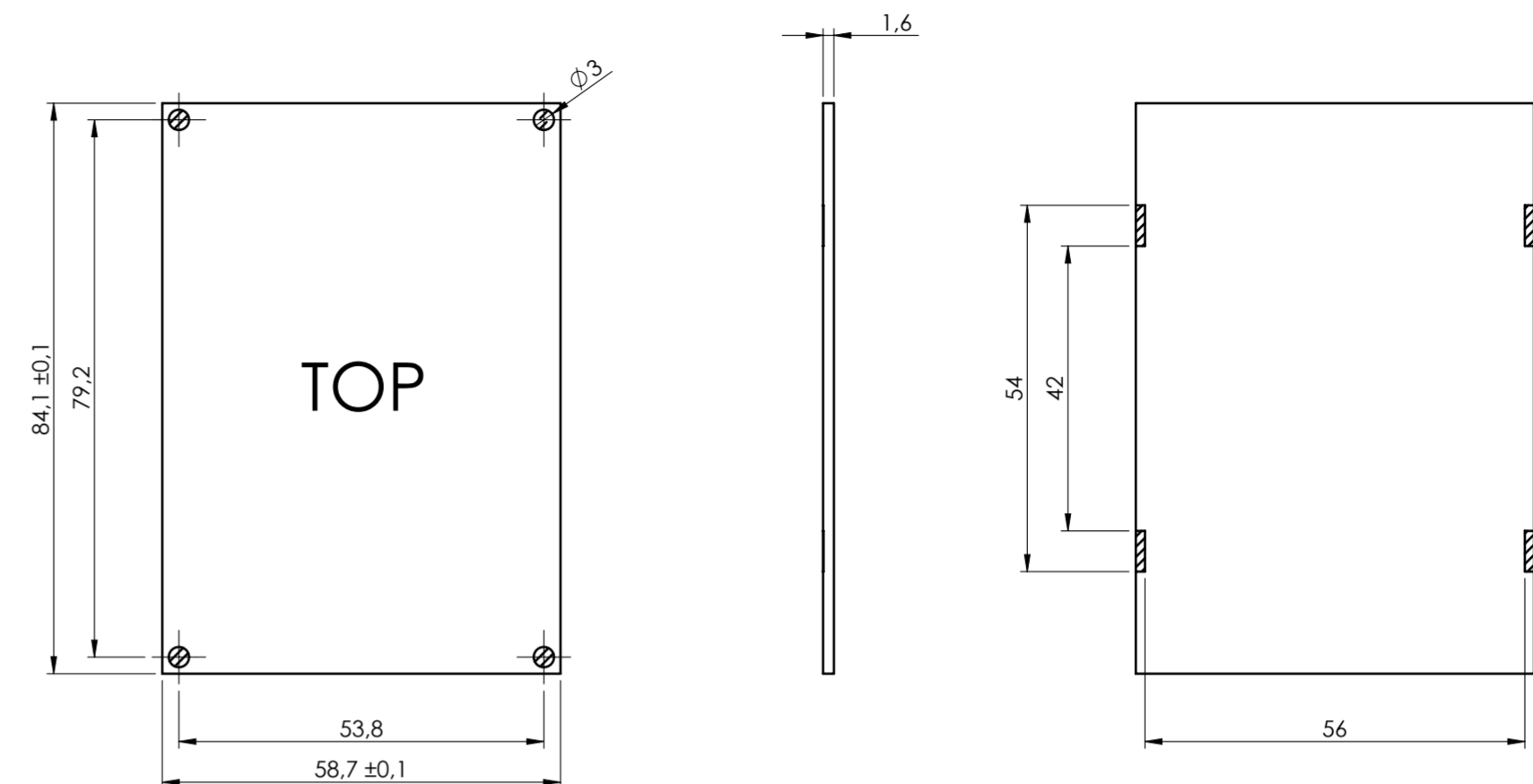
 enclosures for electronics <a href="http://italtronic.com">italtronic.com</a>		Description: KIT CONTENITORE MODULBOX XT 5MH53-A KIT ENCLOSURE MODULBOX XT 5MH53-A Drawing nr.: <b>3_250_00185</b>		Rev.: <b>00</b>	<b>A2</b>
--	--	--	--	--------------------	-----------

PCB A

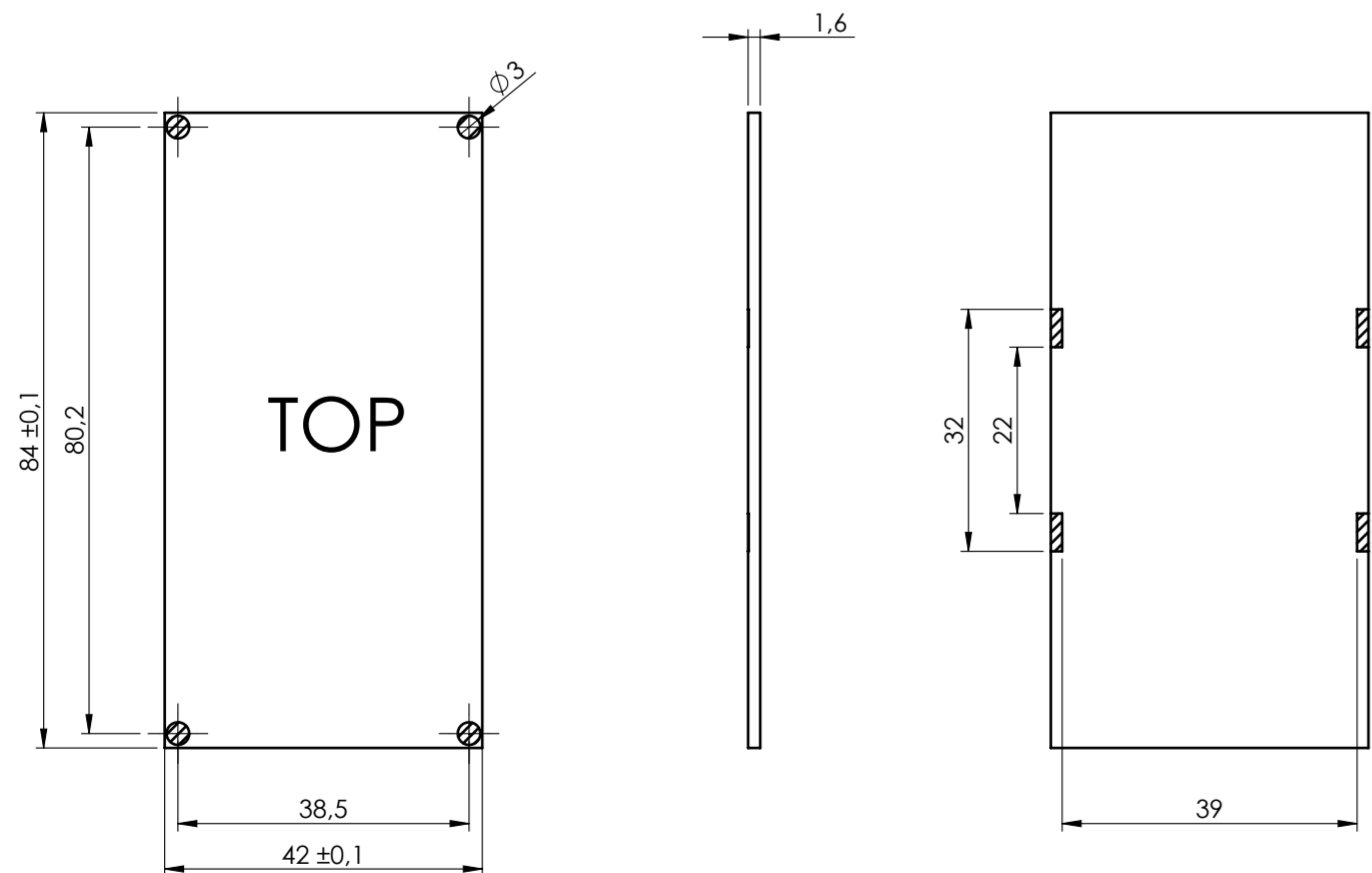
Max height of the terminal:  
 Modulbox XT/XTS: 18.5 mm  
 Modulbox ONE: 20 mm



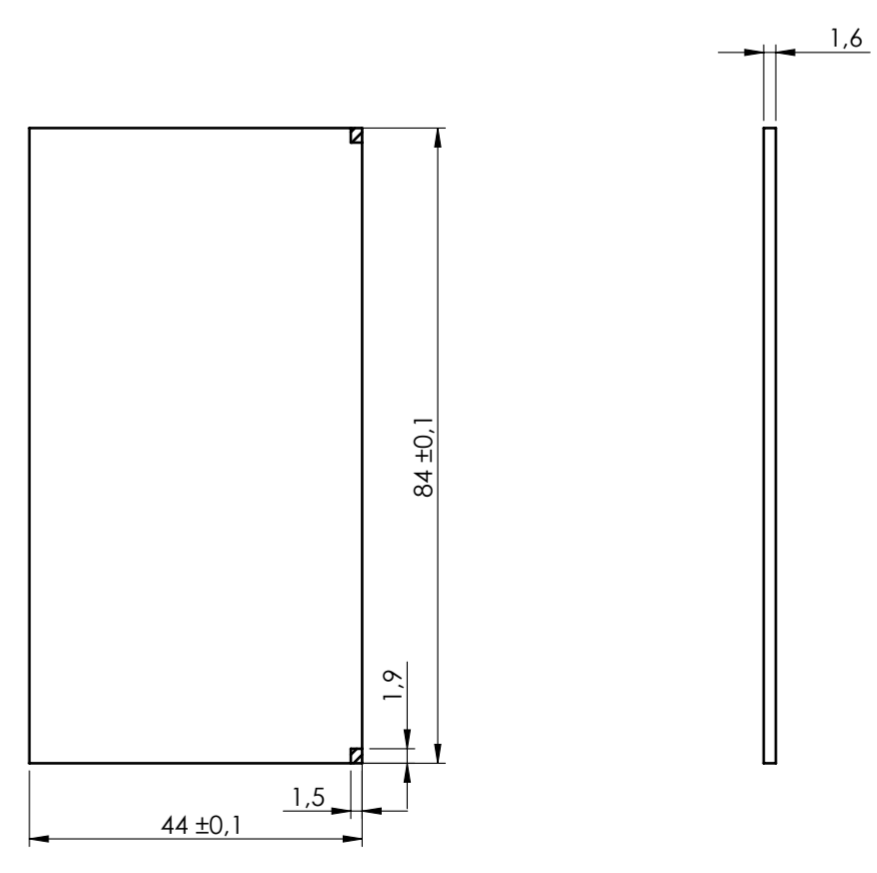
PCB B



PCB C



PCB V2



General Tolerance UNI EN 22768/1 Media (m)					Sheet:
from 0.5 to 3 ± 0.1	from 3 to 6 ± 0.1	from 6 to 30 ± 0.2	from 30 to 120 ± 0.3	from 120 to 400 ± 0.5	PCB
Scale:	Drawn:	Checked:	Date:	Material:	Process:
1:1	M.S.	R.N.	22/11/2023		
Dimension in mm			Derived from:	Weight:	Cod. Mold:
				gr	--
Description: KIT CONTENITORE MODULBOX XT 5MH53-A KIT ENCLOSURE MODULBOX XT 5MH53-A Drawing nr.: <b>3_250_00185</b>					Rev.: 00 A2

NO COMPONENTS AREA