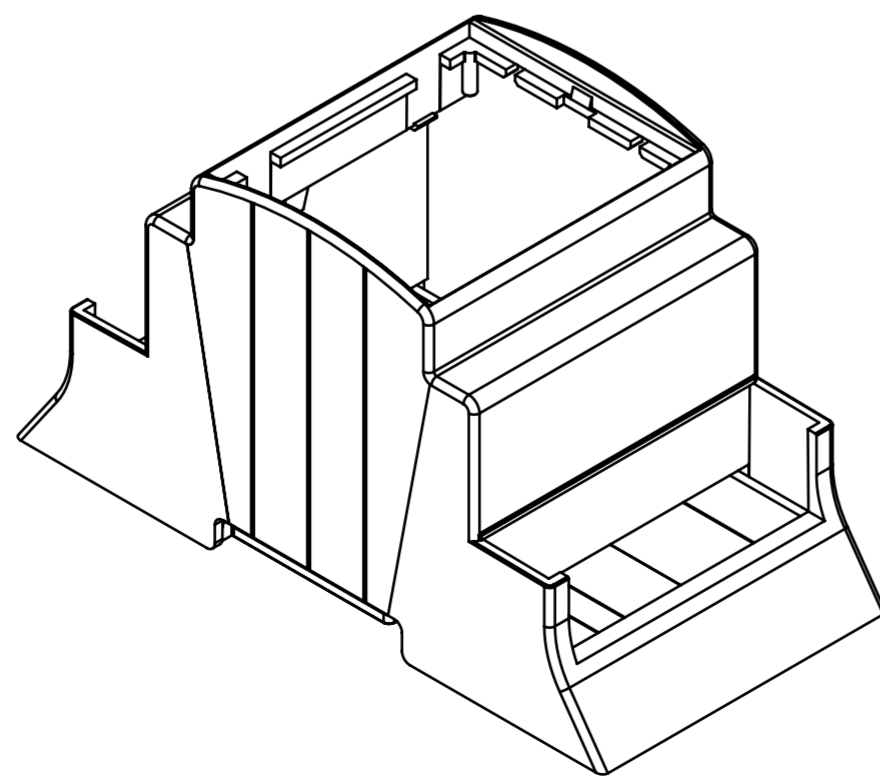
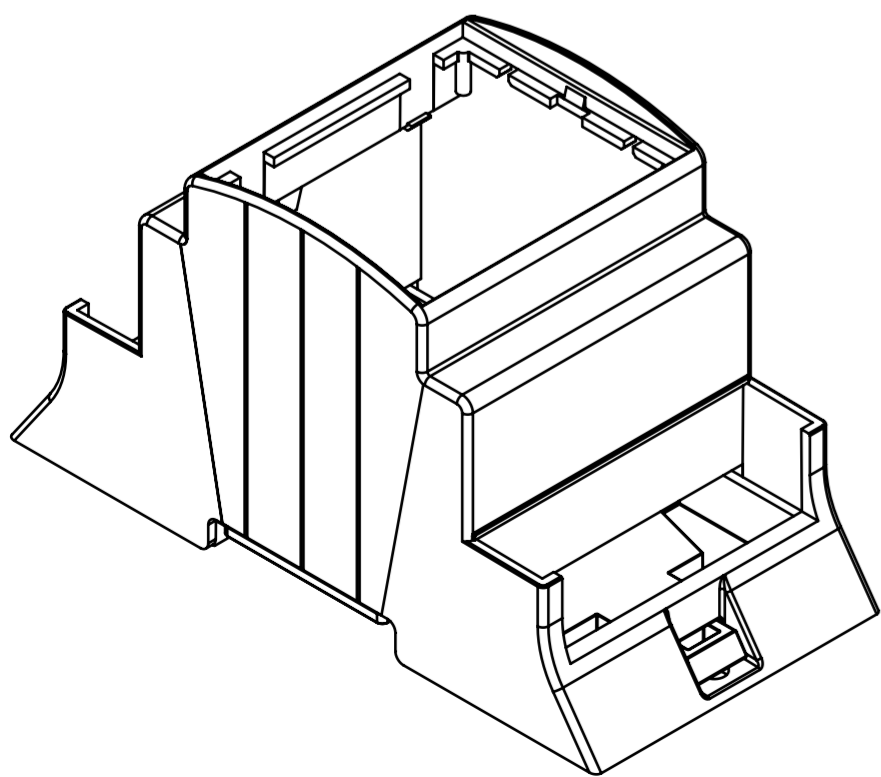
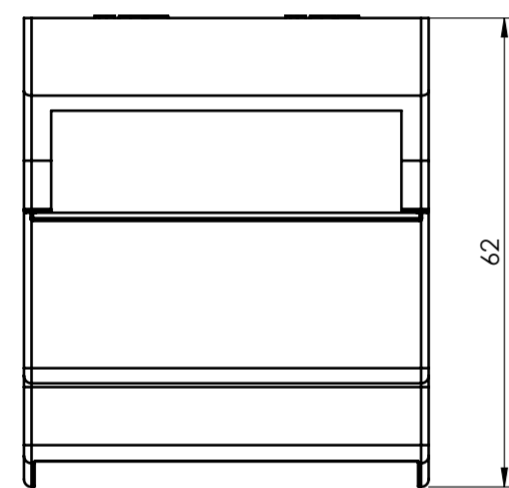
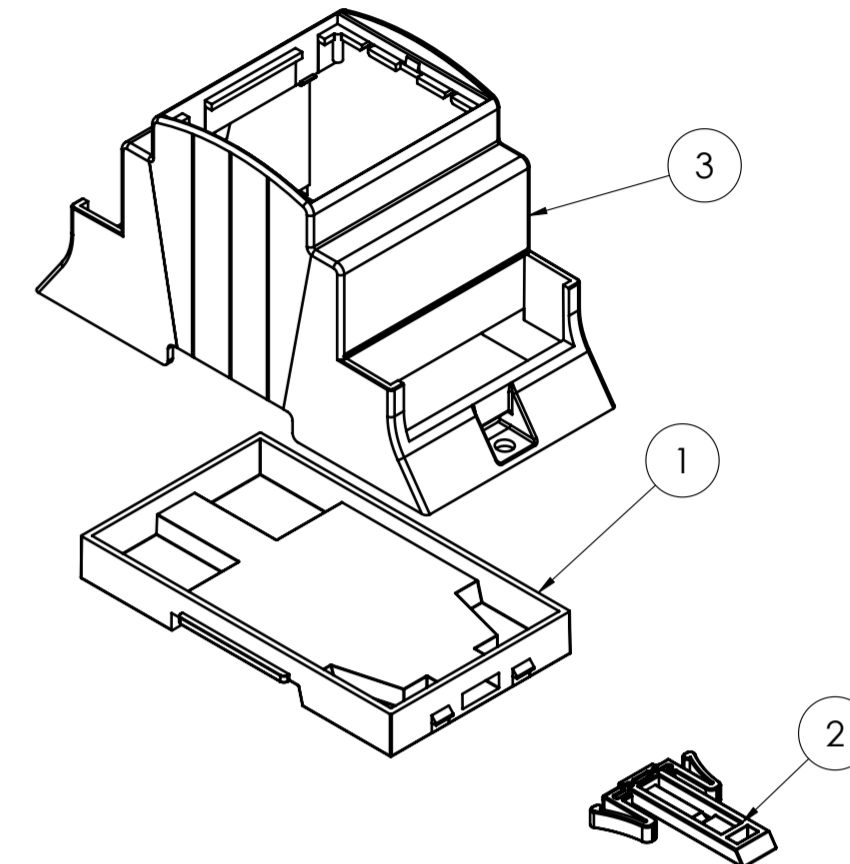
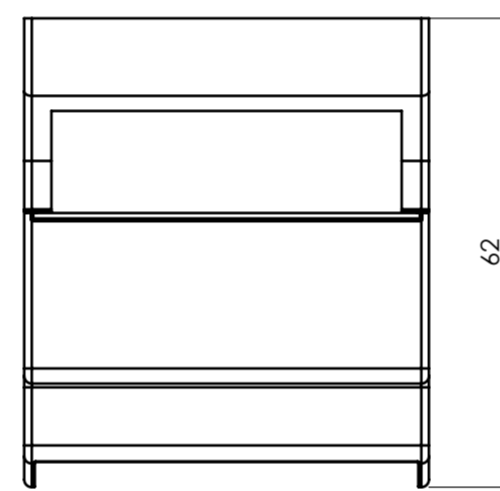
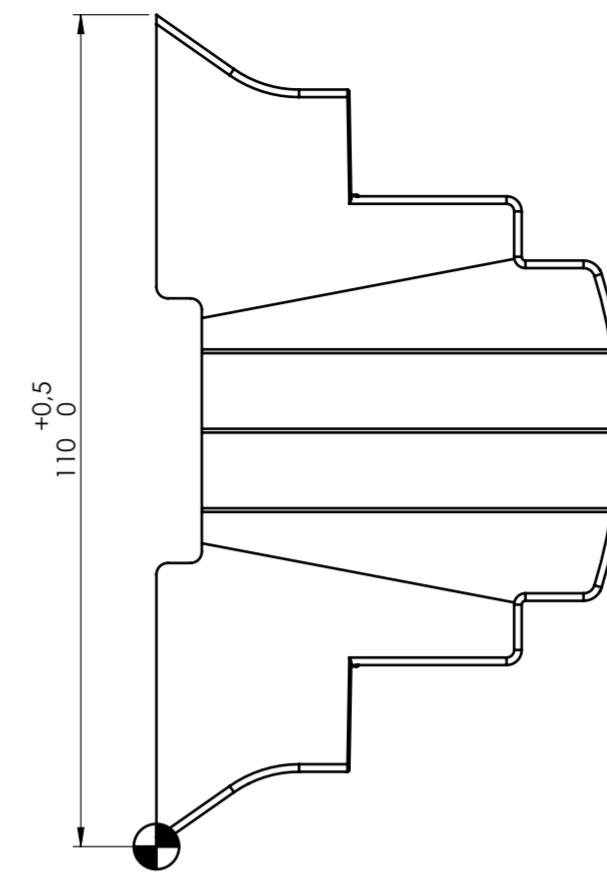
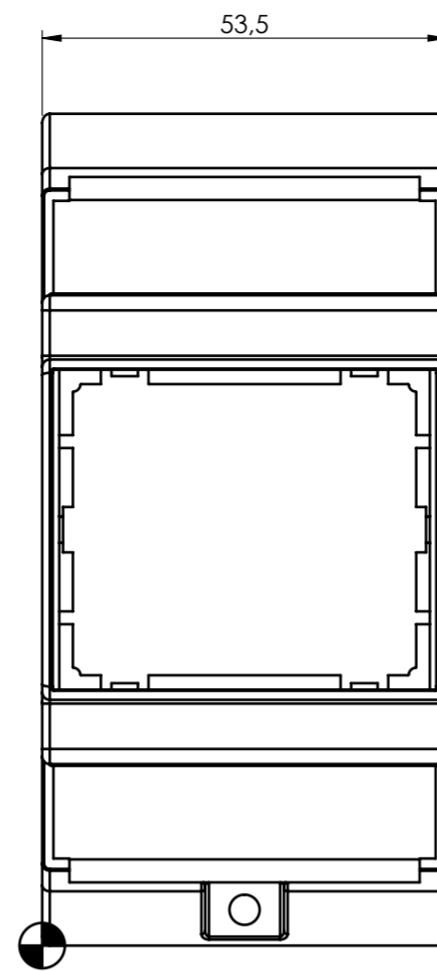


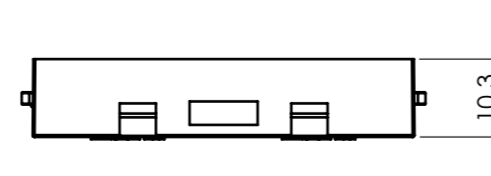
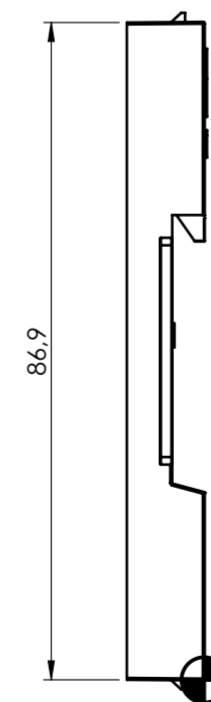
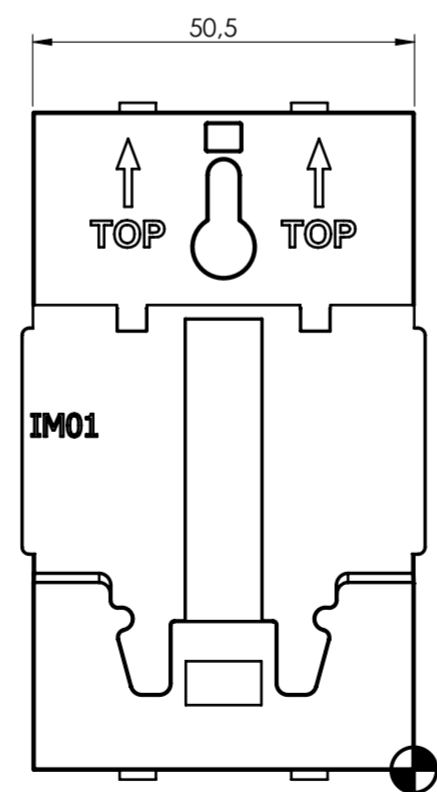
SECTION A-A



BODY ENCLOSURE

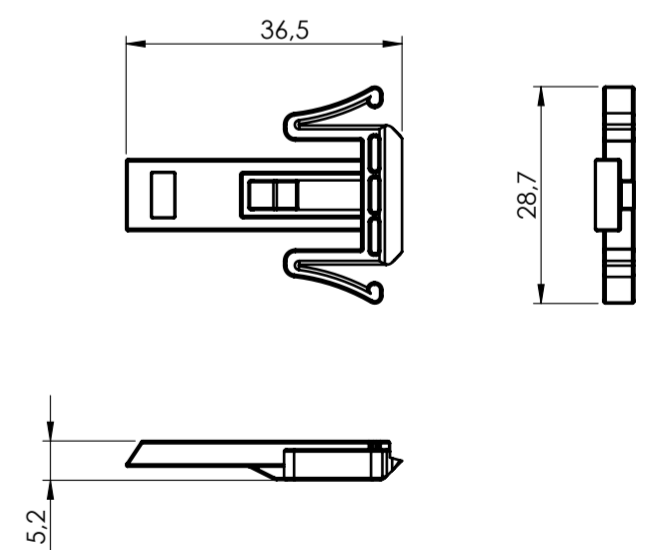


BASE



General information:  
 - Workpiece zero point for mechanical processing  
 - Minimum recommended radius for machining = R1.0 mm  
 - Mounting rail like EN 60715: TH 35-15  
 - Recommended PCB outline on [www.italtronic.com](http://www.italtronic.com)

HOOK



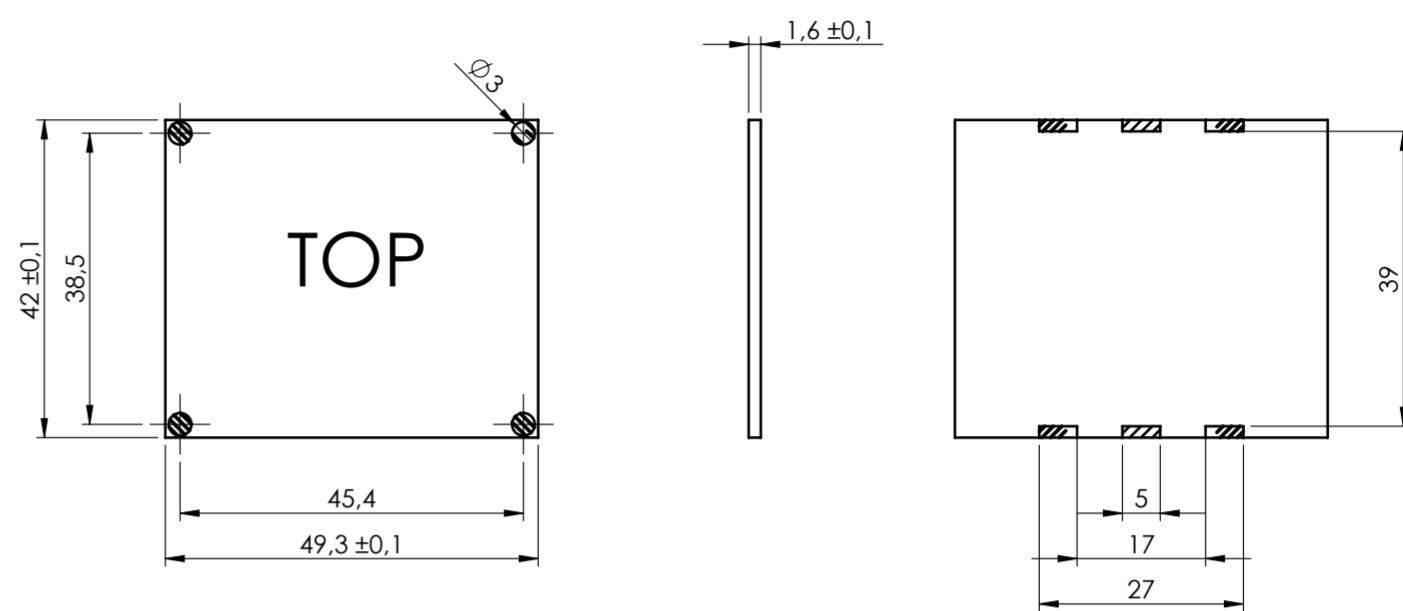
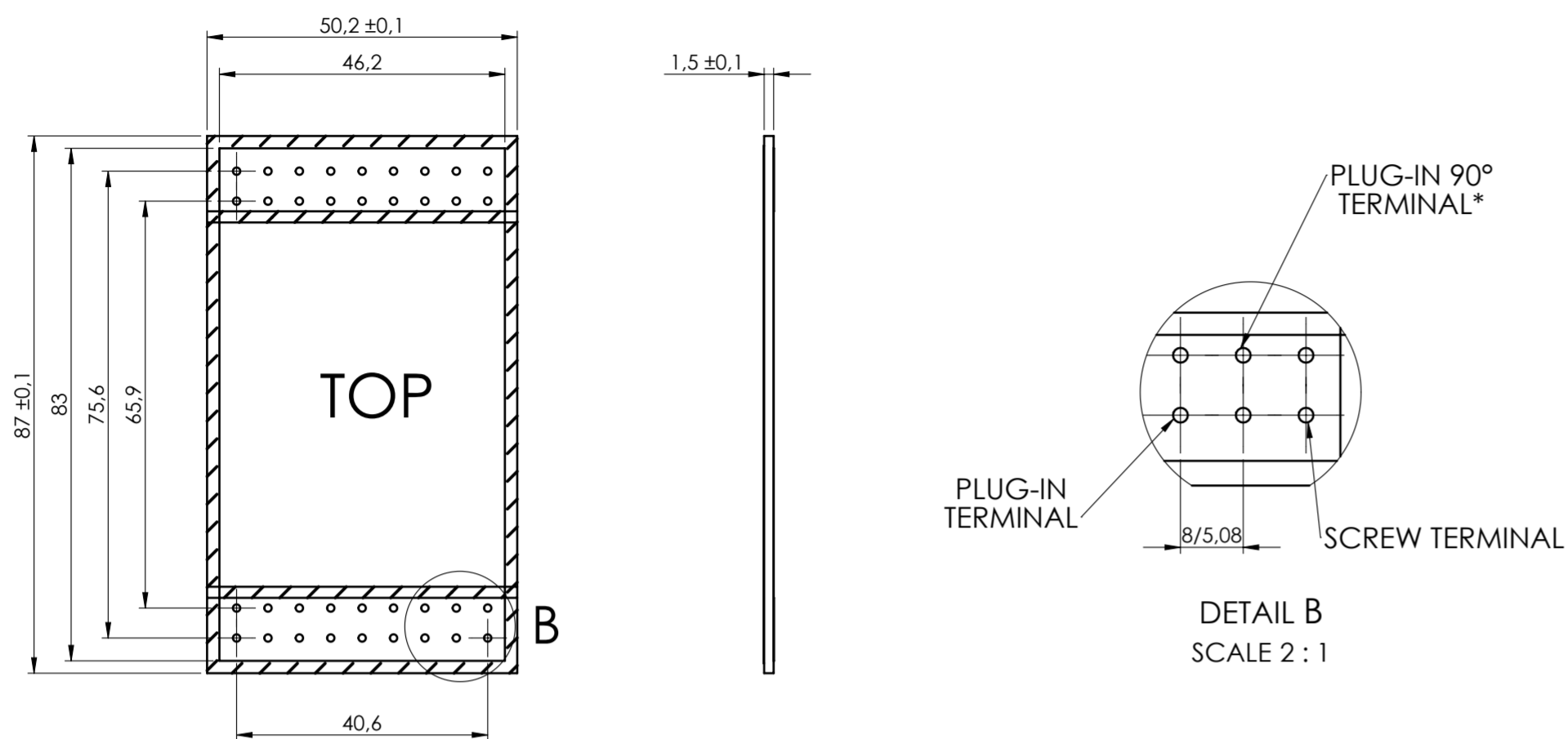
RIF.	Q.TY	DRAWING	DESCRIPTION
1	1	2_250_03868	BODY ENCLOSURE MODULBOX XT 2MH53-A
2	1	2_250_00139	BASE MODULBOX XT/XTS - 2M
3	1	2_250_00072	HOOK FOR MODULBOX XT-XTS

General Tolerance UNI EN 22768/1 Media (m)						Sheet:
from 0.5 to 3	from 3 to 6	from 6 to 30	from 30 to 120	from 120 to 400		1
± 0.1	± 0.1	± 0.2	± 0.3	± 0.5		
Scale:	IM:	Drawed:	Checked:	Date:	Material:	Process:
1:1	--	F.E.	R.N.	10/10/2024		
Dimension in mm		Replaces the:		Derived from:	Weight:	Cod. Mold:
		M-04061		--	gr	--
 enclosures for electronics <a href="http://italtronic.com">italtronic.com</a>			Description: KIT CONTENITORE MODULBOX XT 3M53-A KIT ENCLOSURE MODULBOX XT 3M53-A Drawing nr.: <b>3_250_00198</b>			Rev.: <b>00</b>
						<b>A2</b>

PCB A

PCB C

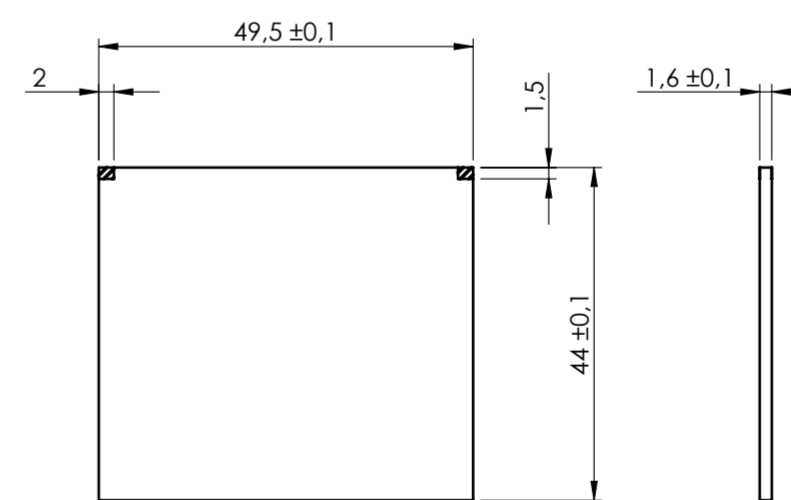
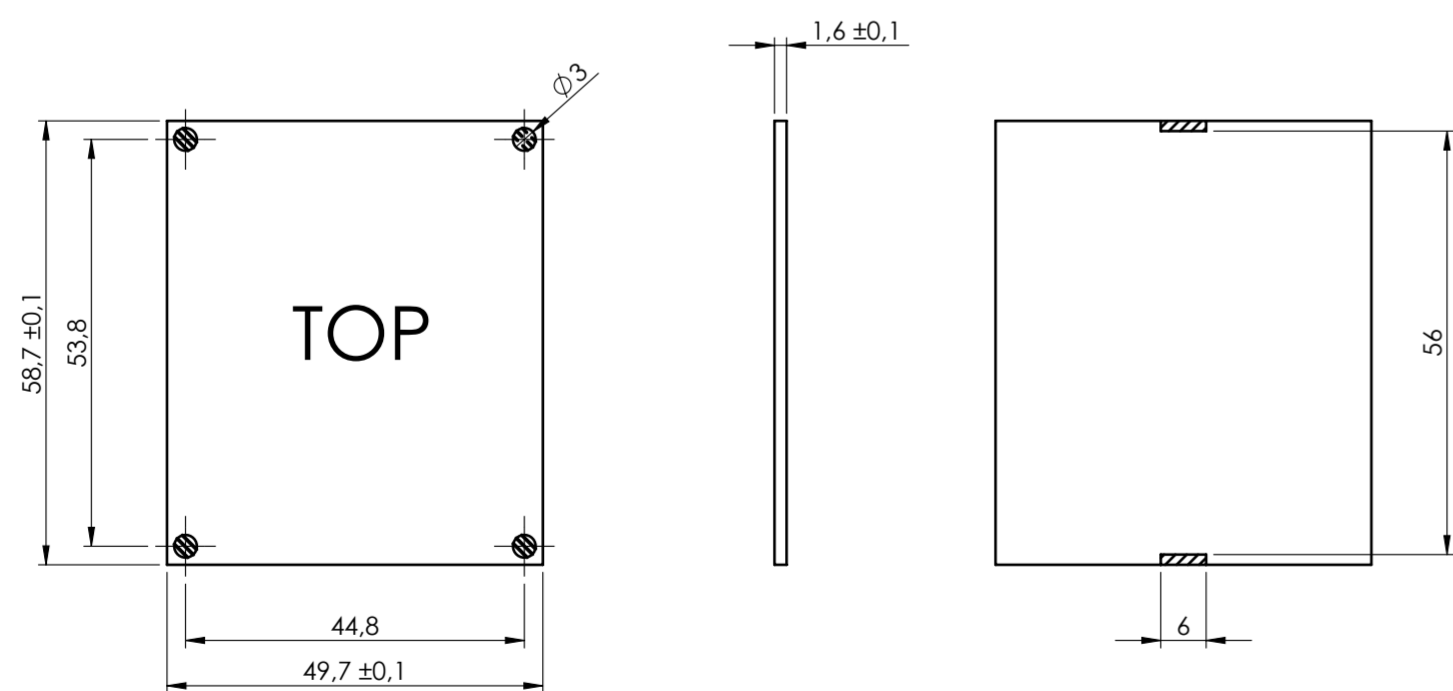
Max height of the terminal:  
Modulbox XT/XTS: 18.5 mm



\*To use the PLUG-IN terminals in Modulbox ONE use plug-in adapter P05000003E (5/5.08 pitch) and P05000004E (7.5/7.62 pitch)

PCB B

PCB V2



General Tolerance UNI EN 22768/1 Media (m)					Sheet:
from 0.5 to 3 ± 0.1	from 3 to 6 ± 0.1	from 6 to 30 ± 0.2	from 30 to 120 ± 0.3	from 120 to 400 ± 0.5	PCB
Scale:	IM:	Drawn:	Checked:	Date:	Material:
1:1	--	F.E.	R.N.	10/10/2024	Process:
Dimension in mm		Replaces the:		Derived from:	Weight:
		M-04061		--	gr
 enclosures for electronics italtronic.com					Description: KIT CONTENITORE MODULBOX XT 3M53-A KIT ENCLOSURE MODULBOX XT 3M53-A Drawing nr.: <b>3_250_00198</b>
					Rev.: 00 A2

NO COMPONENTS AREA