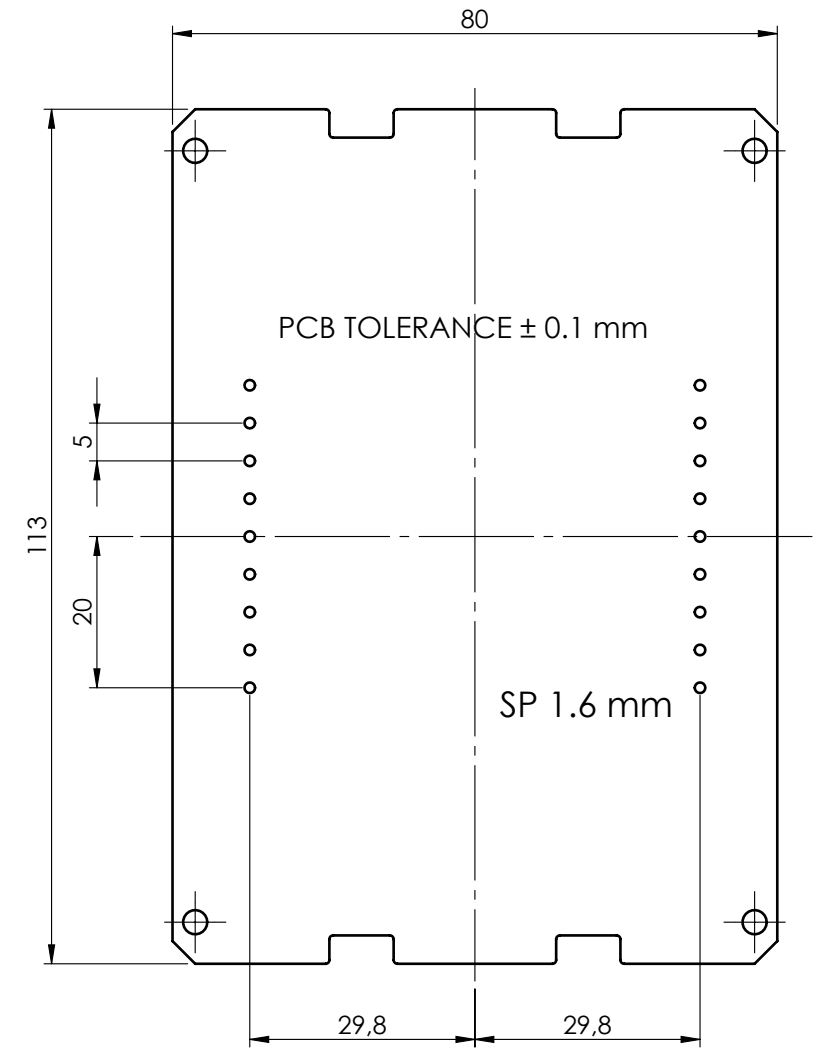
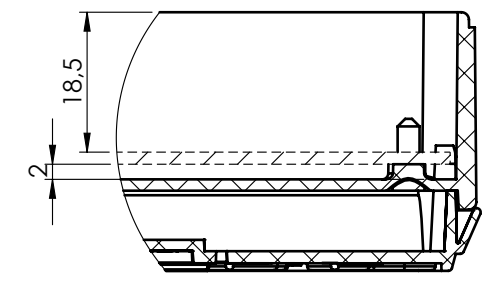
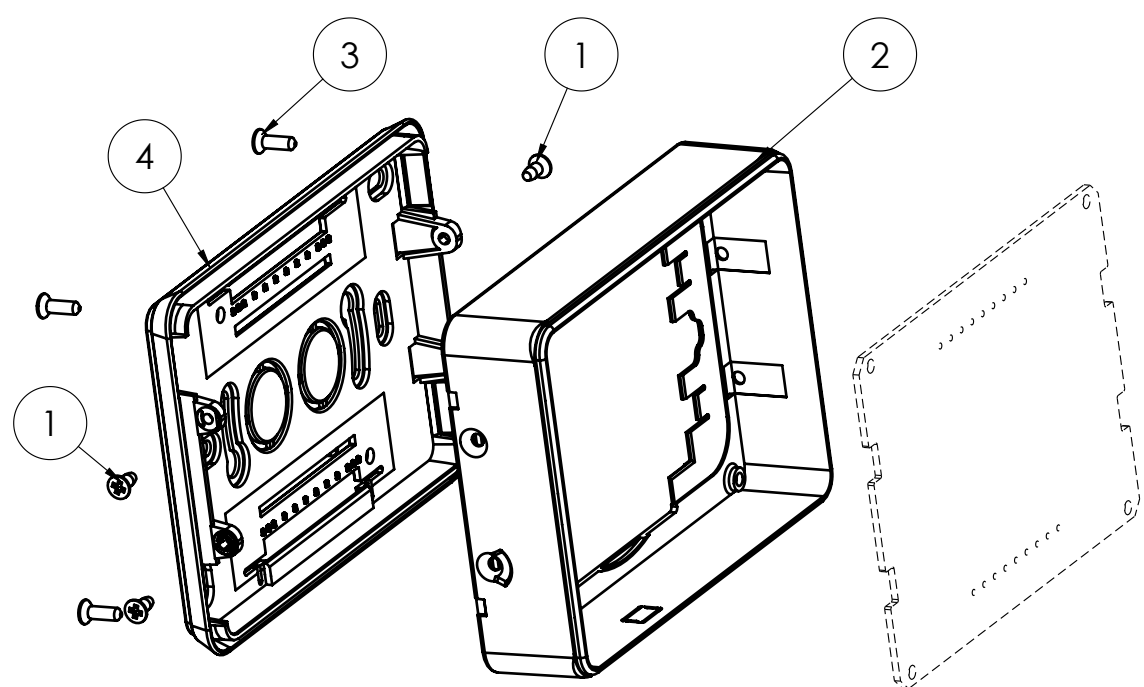


SECTION A-A



RIF.	Q.TY	DRAWING	DESCRIPTION
1	4	8_100_00025	SCREW d 2,9 x 6,5 TS+
2	1	2_010_00060	BASE 80X120 H25 WITH CSF CLAMP MACHINING
3	4	8_100_00043	SCREW d 2,9 x 9,5 TS+
4	1	2_010_00048	REAR PLATE FOR CSF CLAMP

General Tolerance UNI EN 22768/1 Media (m)

from 0.5 to 3	from 3 to 6	from 6 to 30	from 30 to 120	from 120 to 400	Sheet:
± 0.1	± 0.1	± 0.2	± 0.3	± 0.5	1

Scale: 1:1    Drawn: R.N.    Checked: R.N.    Date: 25/03/2023    Material:    Process:

Dimension in mm    The present drawing cannot be reproduced or communicated to 3rd parties, even partially, without the authorization of ITALTRONIC S.p.A. Italtronic reserves to protect its own rights according to the law.    Derived from:    Weight: gr    Cod. Mold: --

**italtronic**  
enclosures for electronics  
italtronic.com

Description:  
KIT CONTENITORE ITOUCH CSF H25  
KIT ENCLOSURE ITOUCH CSF H25

Drawing nr.: **3\_010\_00028**    Rev.: 00    A3