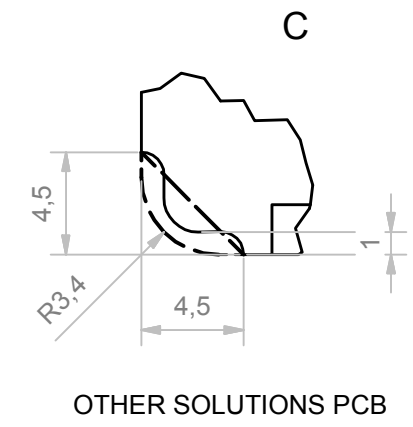
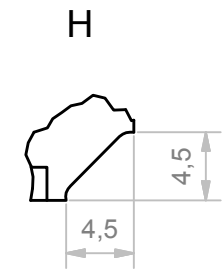
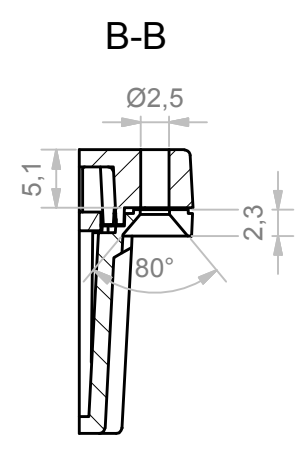
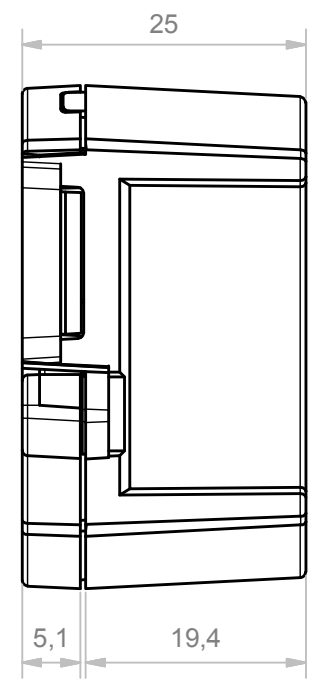
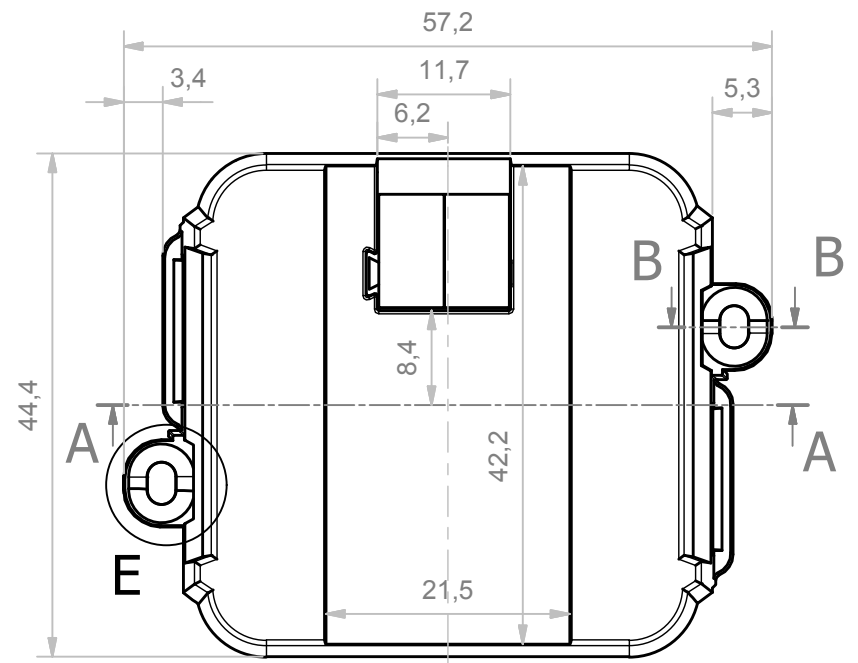
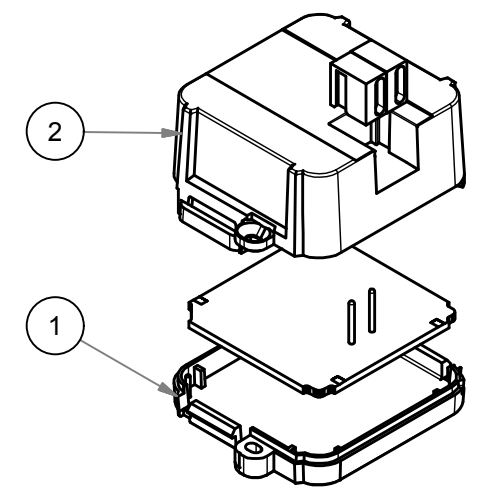
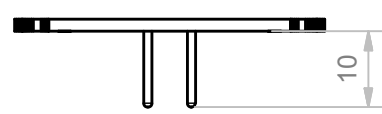


PCB No components zone in the solder side

These dimensions refer to the terminal Sauro MSM\_001

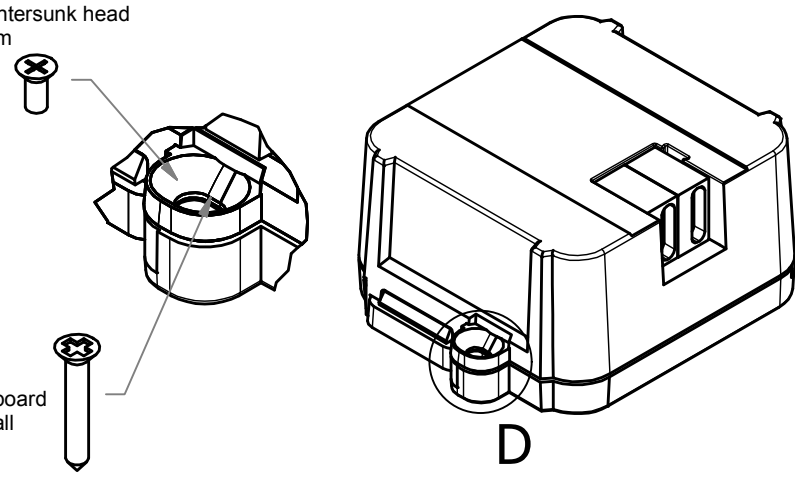


OTHER SOLUTIONS PCB



Self-tapping screws countersunk head d2.9x6.5 mm

Screws for pressed wood or chipboard d2.5 mm for dowel fixing to wall



COMPONENTS LIST				
RIF.	Q.TY	DESCRIPTION	CODE	
1	1	BASE CBOX EURO INT D60	C-05899	
2	1	COVER CBOX EURO INT D60 H25 KNX	C-06322	
Da 0,5 a 3		Oltre 3 fino a 6	Oltre 6 fino a 30	Oltre 30 fino a 120
± 0,1		± 0,1	± 0,2	± 0,3
				± 0,5

RESERVED PROPERTY The present drawing cannot be reproduced or communicated to 3d parties, even partially, without the authorization of ITALTRONIC Srl. Italtronic reserves to protect its own rights according to the law.	Dimension in mm Date: 06/11/2015	SHEET NR. 1 / 1	DRAWING BY Manual modification are not allowed	GENERAL TOLERANCE <b>UNI EN 22768/1</b> Media (m)
		Drawn: Rigato N.	Checked: Dalla Montà D.	Scale:

Denomination:  
**CONTENITORE CBOX EURO D60 H25 KNX**  
**ENCLOSURE CBOX EURO D60 H25 KNX**

UN PARTNER PER IL FUTURO **Plastic+ Group**

**ITALTRONIC S.R.L.**  
 VIA AUSTRIA 25/D 35127  
 PADOVA - ITALY  
 www.italtronic.com

Drawing nr.  
**C-06354-00**

5	4	3	2	1
Revision description				