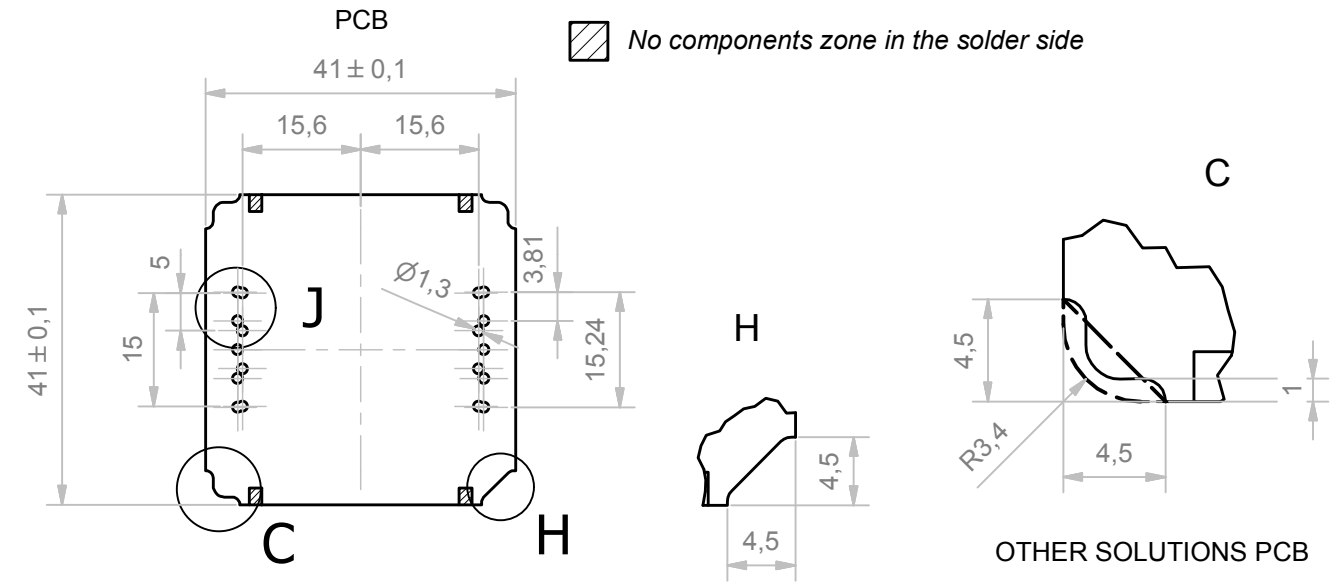
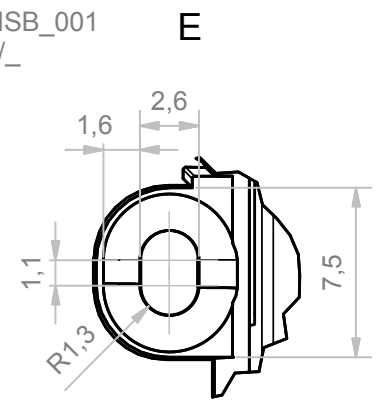
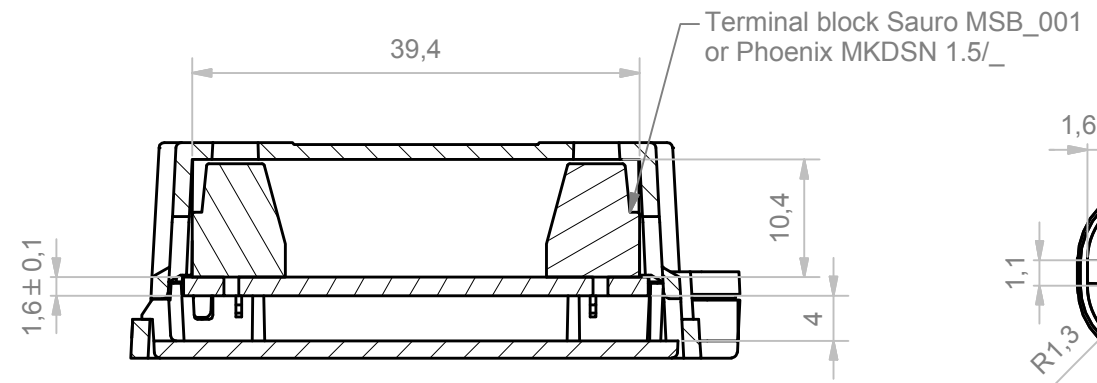
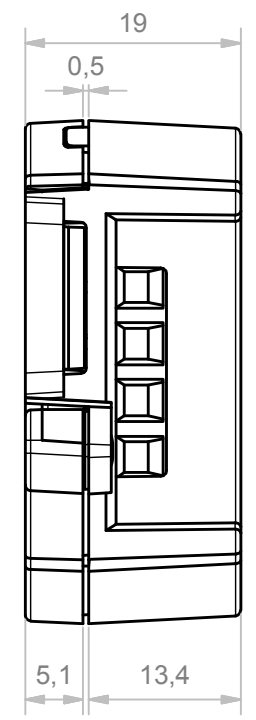
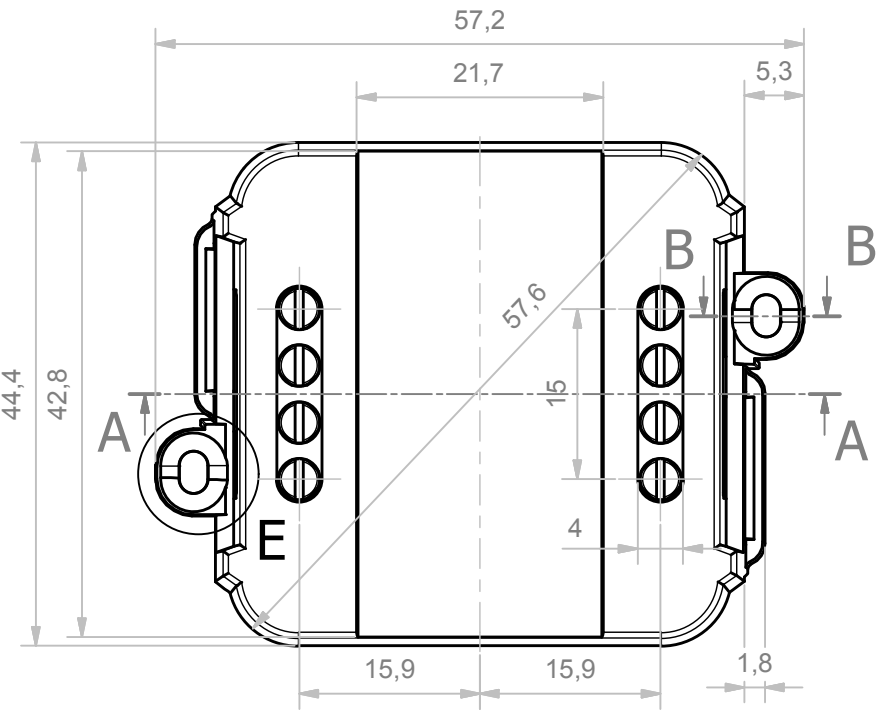
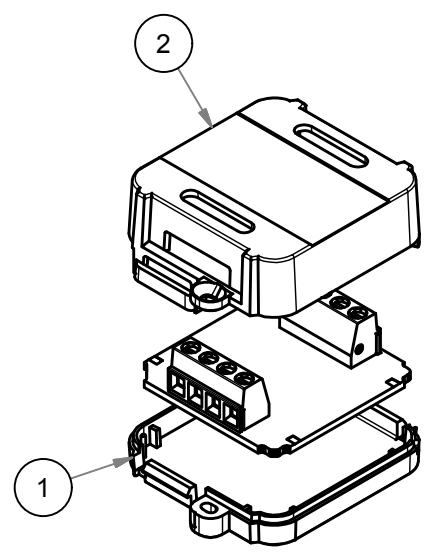
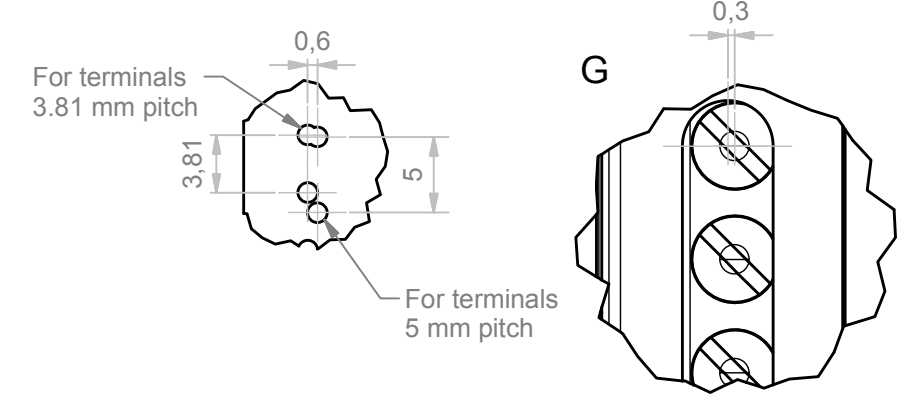


6 | 5 | 4 | 3 | 2 | 1

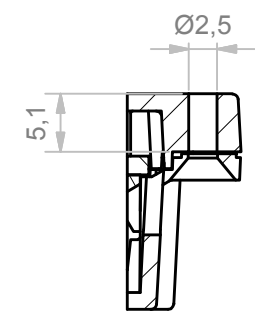
A-A



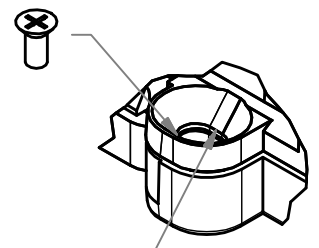
J (2:1)



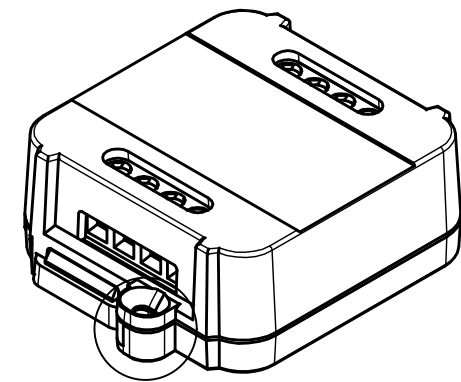
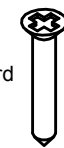
B-B



Self-tapping screws countersunk head d2.9x6.5 mm



Screws for pressed wood or chipboard d2.5 mm for dowel fixing to wall



COMPONENTS LIST

RIF.	Q.TY	DESCRIPTION	CODE
1	1	BASE CBOX EURO INT D60	C-05899
2	1	COVER CBOX EURO INT D60 H19	C-06245

Da 0,5 a 3	Oltre 3 fino a 6	Oltre 6 fino a 30	Oltre 30 fino a 120	Oltre 120
± 0,1	± 0,1	± 0,2	± 0,3	± 0,5

RESERVED PROPERTY The present drawing cannot be reproduced or communicated to 3d parties, even partially, without the authorization of ITALTRONIC Srl. Italtronic reserves to protect its own rights according to the law.	Dimension in mm	SHEET NR. 1 / 1	DRAWING BY GAD Manual modification are not allowed	GENERAL TOLERANCE UNI EN 22768/1 Media (m)
		Date: 09/09/2015	Replace nr.	Revision description

Drawn: Rigato N. Checked: Dalla Montà D. Scale:

Denomination:
CONTENITORE CBOX EURO D60 H19
ENCLOSURE CBOX EURO D60 H19

ITALTRONIC S.R.L.
 VIA AUSTRIA 25/D 35127
 PADOVA - ITALY
www.italtronic.com

Drawing nr.
C-06243-00

6 | 5 | 4 | 3 | 2 | 1