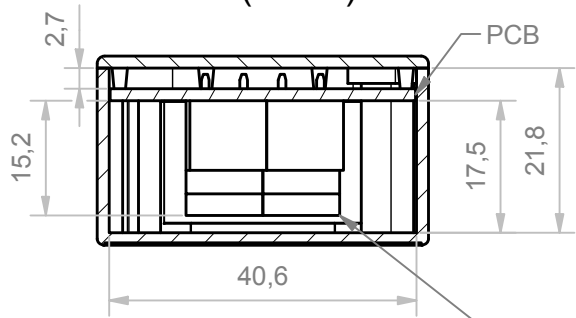
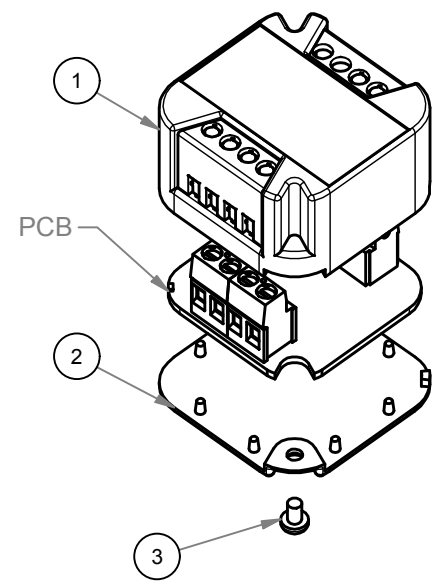
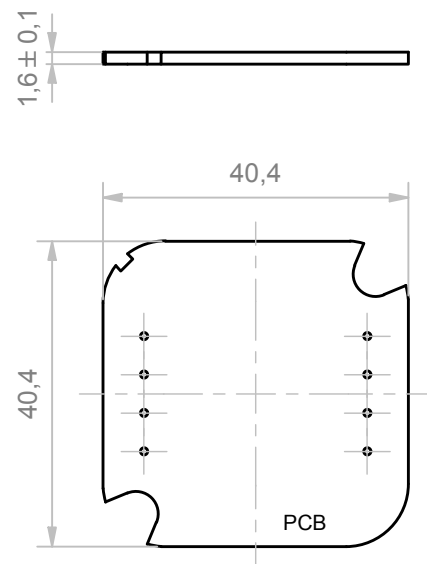


A-A (1:1)



TERMINALS
(SAURO MSM_005)



RIF.	Q.TY	DESCRIPTION	DRAWING
1	1	COVER ENCLOSURE CBOX EURO INT 25MM	2_040_00001
2	1	BASE ENCLOSURE CBOX EURO INT 25MM	2_040_00002
3	2	SCREW 2,9 x 4,5 TC+	8_100_00004

General Tolerance UNI EN 22768/1 Media (m)				
from 0.5 to 3	from 3 to 6	from 6 to 30	from 30 to 120	from 120 to 400
± 0.1	± 0.1	± 0.2	± 0.3	± 0.5
Scale: 1:1	Sheet nr.: RIM.1	Drawn:	Checked:	Date: 12/02/2020
Dimension in mm		Material:	Weight:	Cod. Mold:
			-	--

italtronic
enclosures for electronics
italtronic.com

Description:
CBOX INT EURO 25 mm CON VITI
CBOX EURO INT 25 mm WITH SCREWS

Drawing nr. **3_040_00001**

Rev. **01**

12/03/2020 R.N. Updated cartouche with new code (code passed V-01607-01)

RESERVED PROPERTY: The present drawing cannot be reproduced or communicated to 3rd parties, even partially, without the authorization of ITALTRONIC Srl. Italtronic reserves to protect its own rights according to the law.