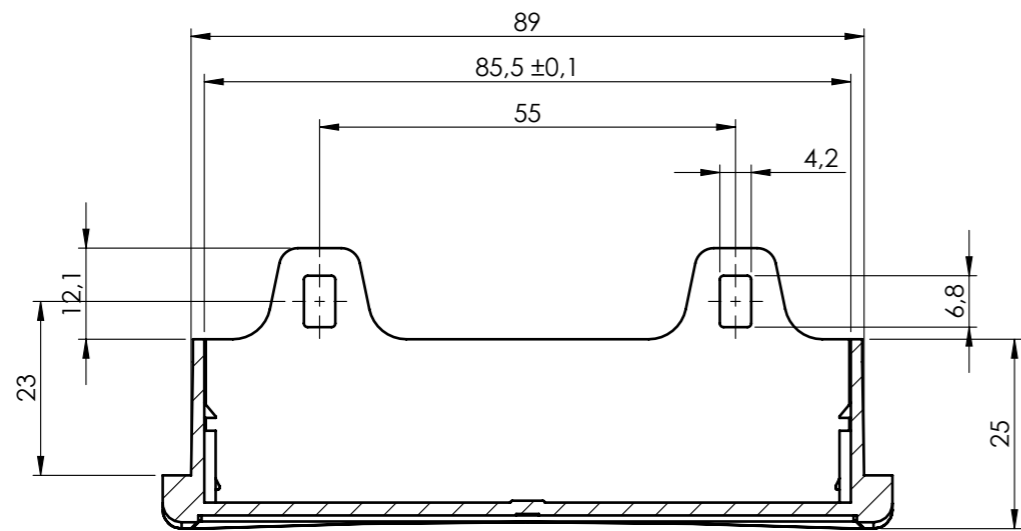
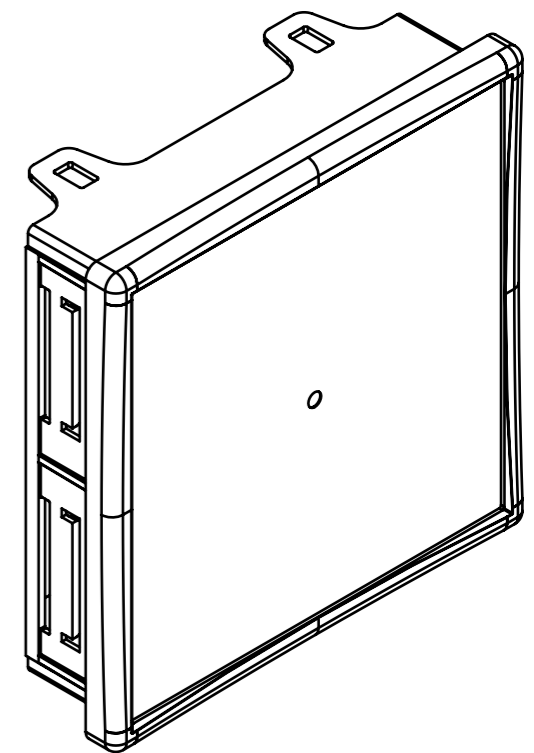


SECTION A-A



SECTION B-B

Revisions			
Rev.	Description	Date	Modified by
1	Aggiunto alette per fissaggio con corpo cont. 96x96XT.	15/09/2004	Z.E.
2	Aggiunto dentini interni.	02/11/2004	Z.E.
3	Ridotto spessore da 2.4 mm a 1.7 mm.	30/03/2005	Z.E.
4	Revisione generale e aggiunto tolleranze quote.	13/05/2013	R.N.
5	Modificato quote da campione produzione. Cambiato cod. disegno (cod. disegno storico I-01235-04).	07/06/2022	R.N.



General Tolerance UNI EN 22768/1 Media (m)					Sheet:
from 0.5 to 3 ± 0.1	from 3 to 6 ± 0.1	from 6 to 30 ± 0.2	from 30 to 120 ± 0.3	from 120 to 400 ± 0.5	1
Scale: 1:1	Drawn: R.N.	Checked: Z.E.	Date: 03/05/2004	Material: PC/ABS	Process: INJECTION
Dimension in mm	The present drawing cannot be reproduced or communicated to 3rd parties, even partially, without the authorization of ITALTRONIC S.p.A. Italtronic reserves to protect its own rights according to the law.			Weight: 38.23 gr	Cod. Mold: ST.0101500
italtronic enclosures for electronics italtronic.com		Description: CORNICE FRONTALE INCABOX XT 96X96 FRONT FRAME INCABOX XT 96X96 Drawing nr.: 2_190_00021			Rev.: 05 A3