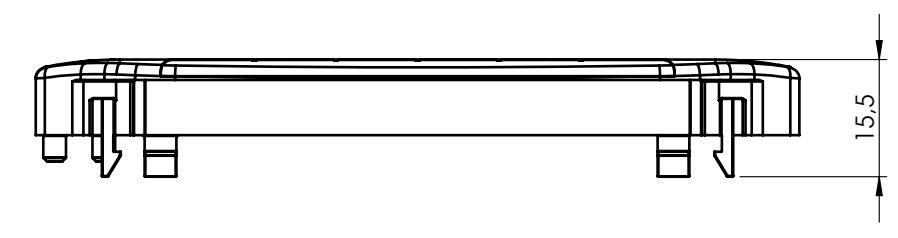
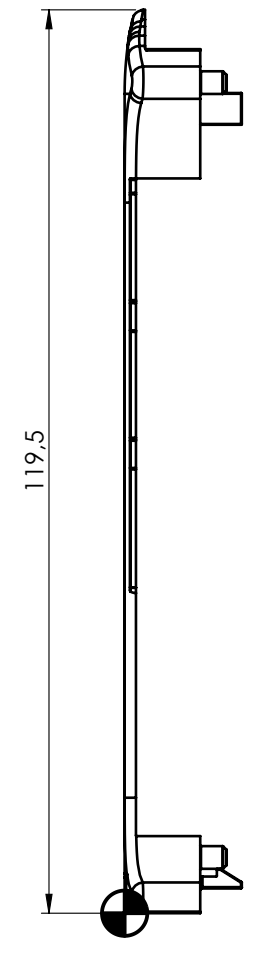
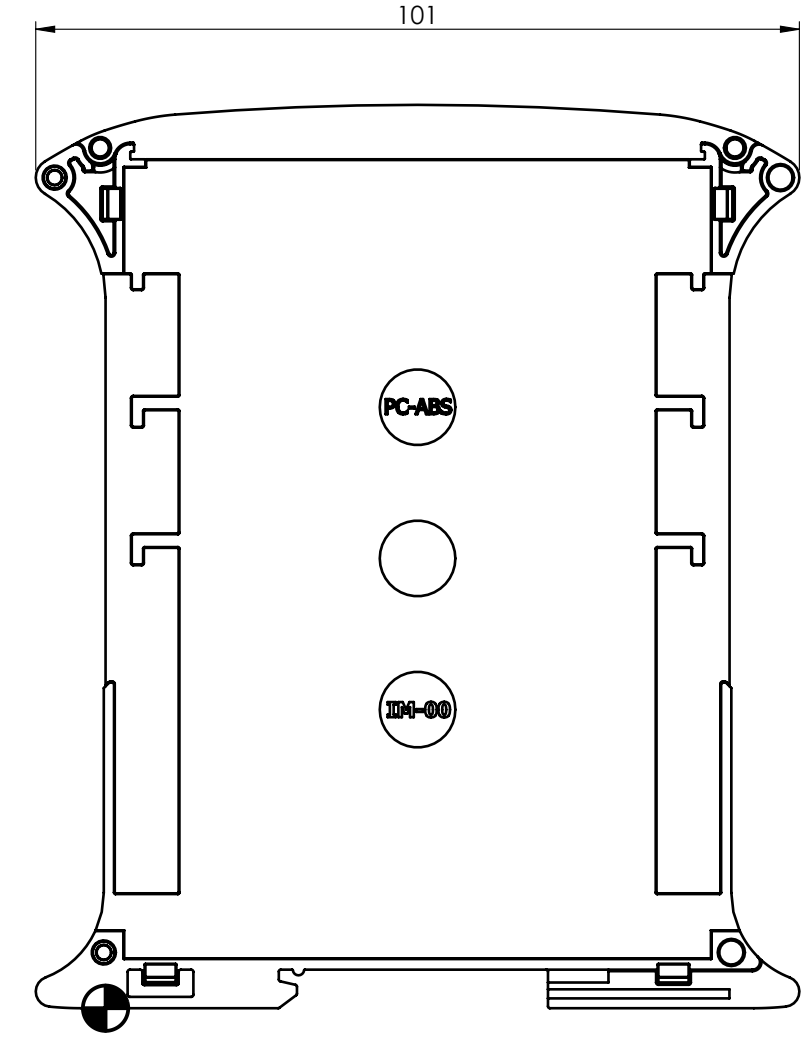
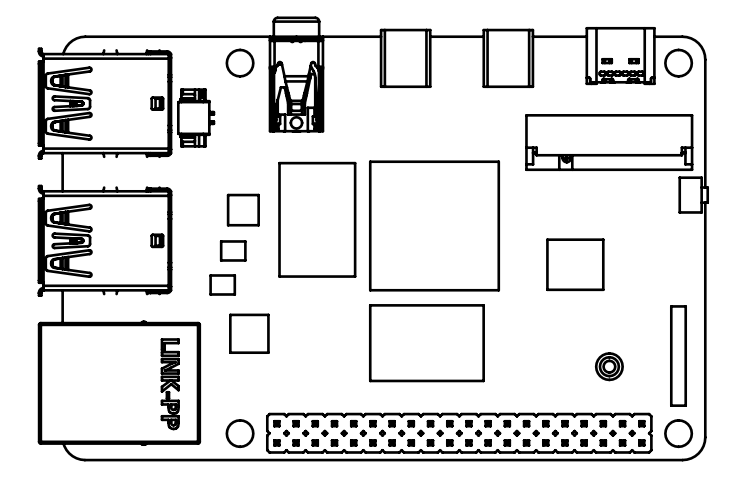
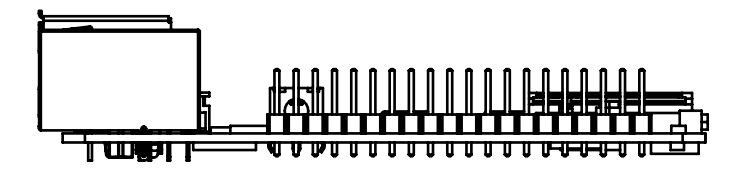
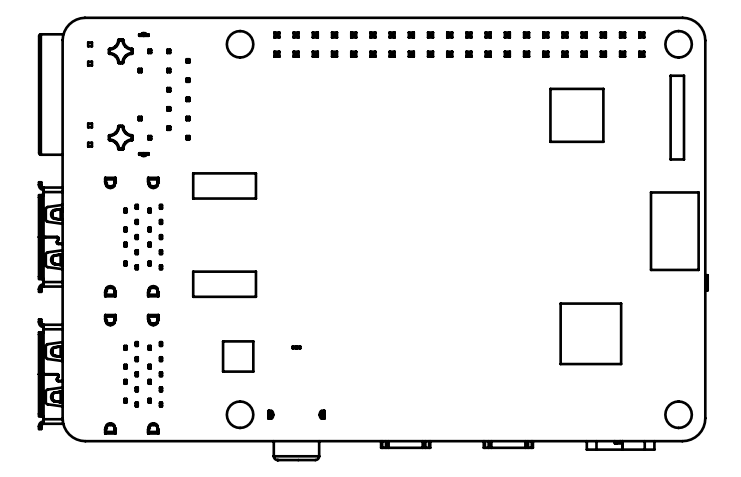


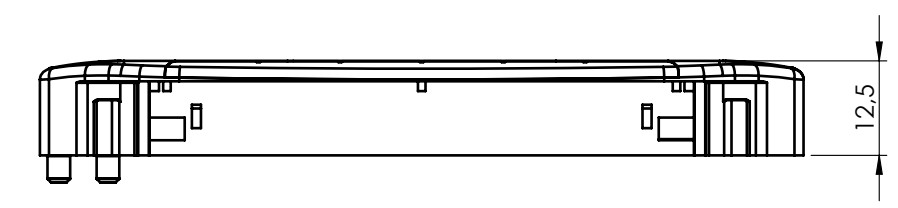
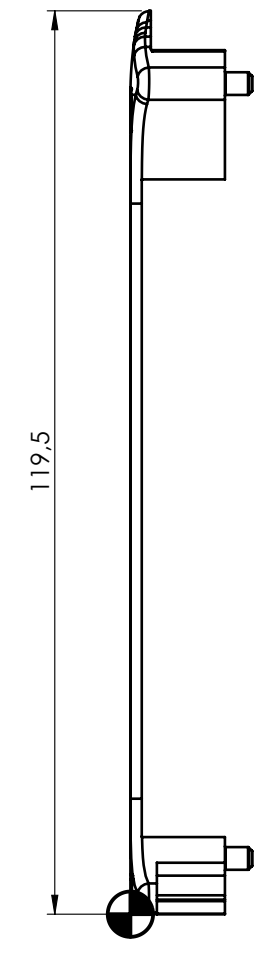
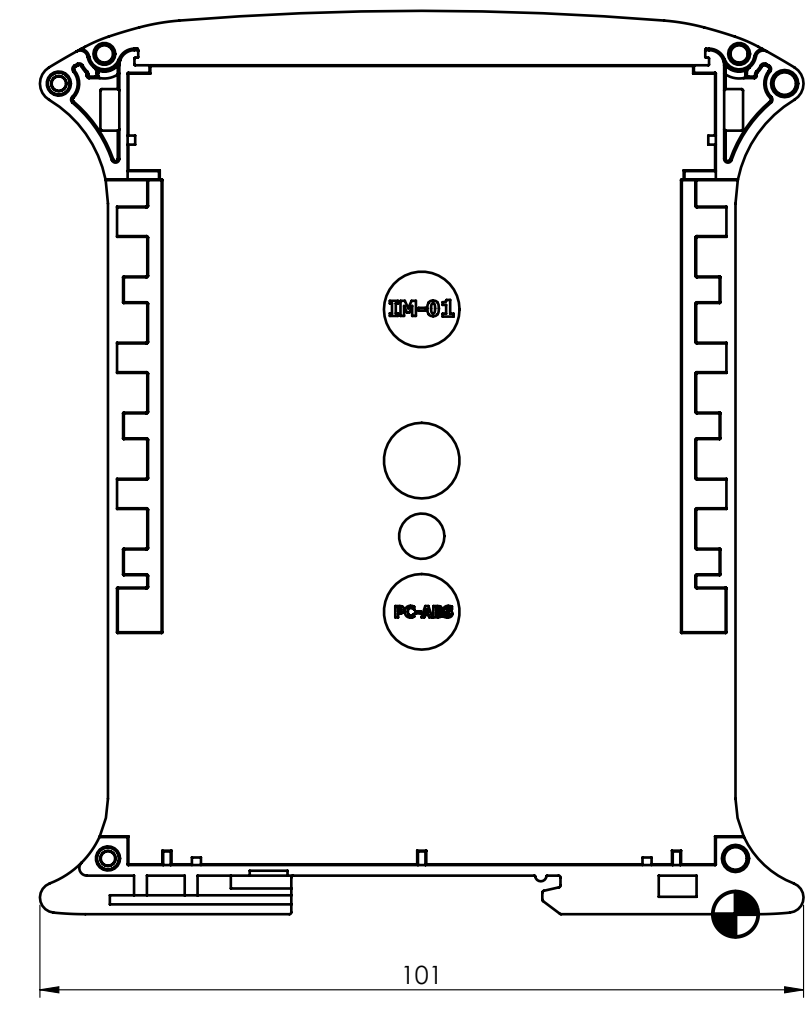
### COVER RAILBOX



### PCB RASBERRY PI 4




### BASE RAILBOX



- General information:
- Workpiece zero point for mechanical processing
  - Minimum recommended radius for machining = R1.0 mm
  - Mounting rail like EN 60715: TH 35-15
  - Recommended PCB outline on [www.italtronic.com](http://www.italtronic.com)

RIF.	Q.TY	DRAWING	DESCRIPTION
1	1	2_110_00033	BASE RAILBOX 12.5 MM 3L
2	1	2_110_00089	COVER MULTILEVEL RAILBOX 10 MM 3L
3	1	2_110_00032	HOOK RAILBOX
4	1	2_050_00070	FRONT PANEL FOR RAILBOX RASBERRY PI 4
5	1	2_110_00011	SPRING FOR HOOK RAILBOX
6	1	2_050_00072	ACCESSORY LEFT FOR RAILBOX RASBERRY PI 4
7	1	2_050_00073	ACCESSORY RIGHT FOR RAILBOX RASBERRY PI 4

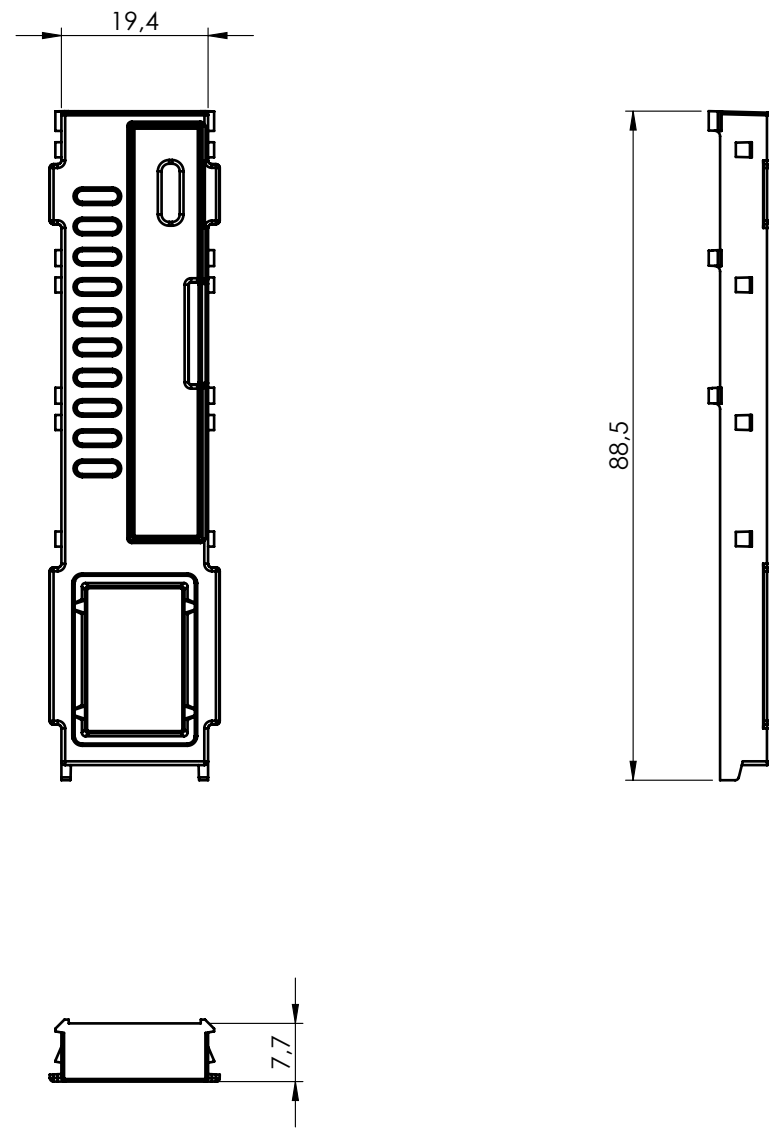
General Tolerance UNI EN 22768/1 Media (m)					Sheet:
from 0.5 to 3	from 3 to 6	from 6 to 30	from 30 to 120	from 120 to 400	1
± 0.1	± 0.1	± 0.2	± 0.3	± 0.5	
Scale:	IM:	Drawed:	Checked:	Date:	Material:
1:1	--	M.S.	R.N.	12/12/2023	Process:
Dimension in mm		Replaces the:		Derived from:	Weight:
		--		--	gr
		Cod. Mold:		--	


**italtronic**  
 enclosures for electronics  
[italtronic.com](http://italtronic.com)

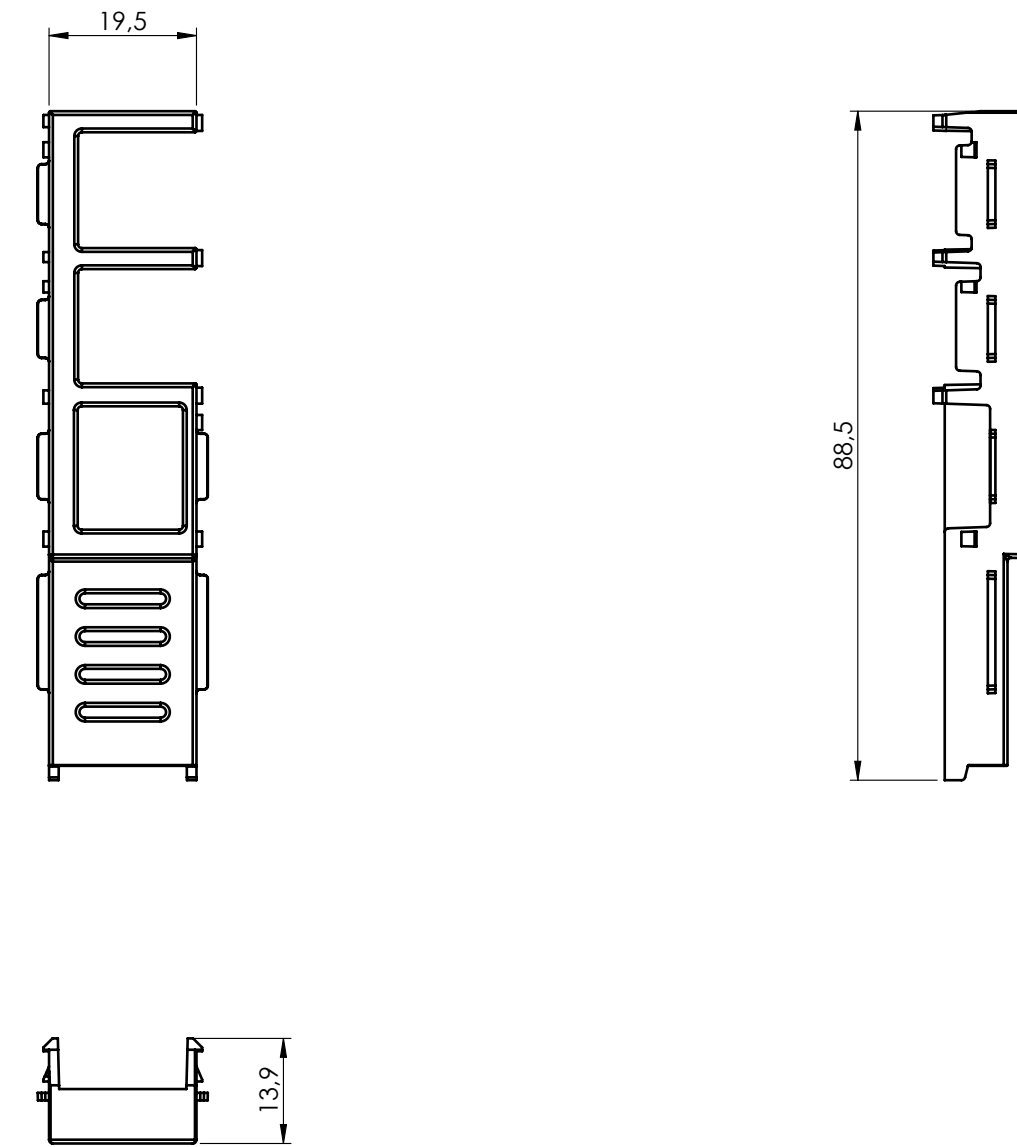
Description:  
 KIT CONTENITORE RAILBOX 22.5MM RASBERRY PI4B  
 KIT ENCLOSURE RAILBOX 22.5MM RASBERRY PI4B  
 Drawing nr.: **3\_050\_00035**

Rev.: **00** A2

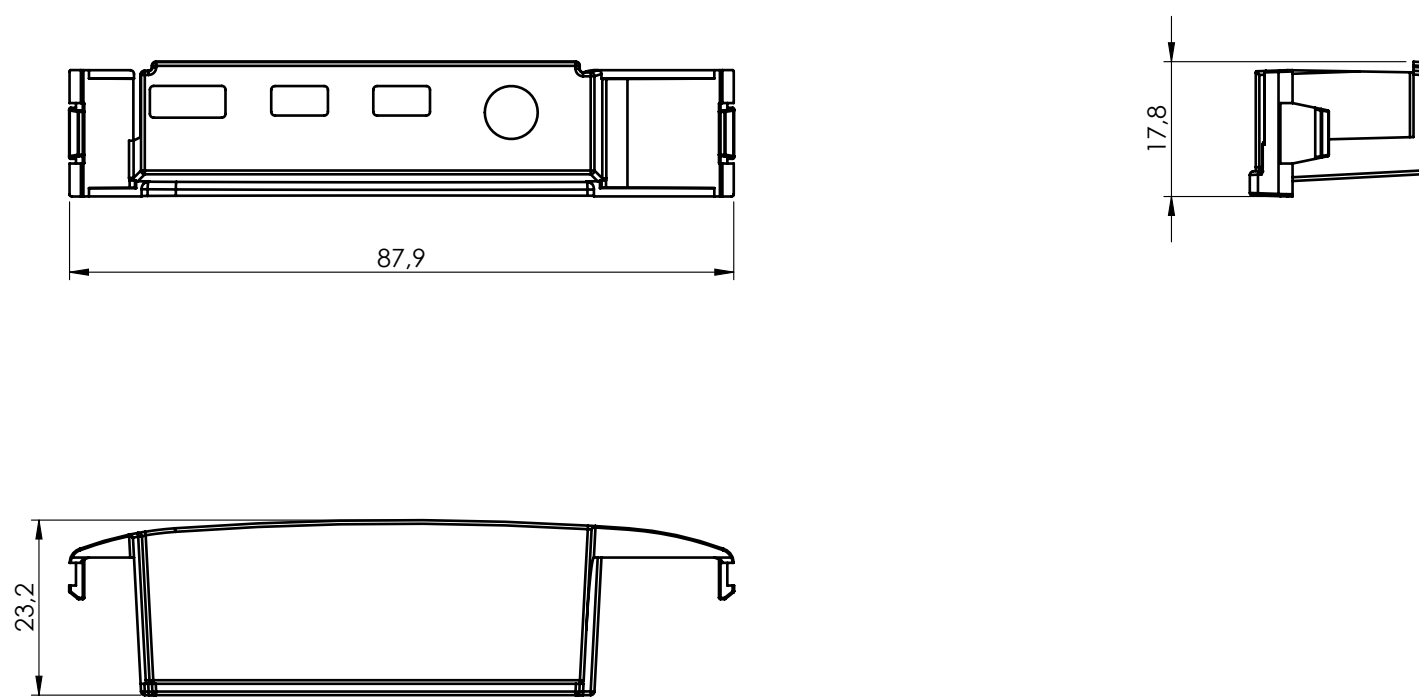
### ACCESSORIO DX



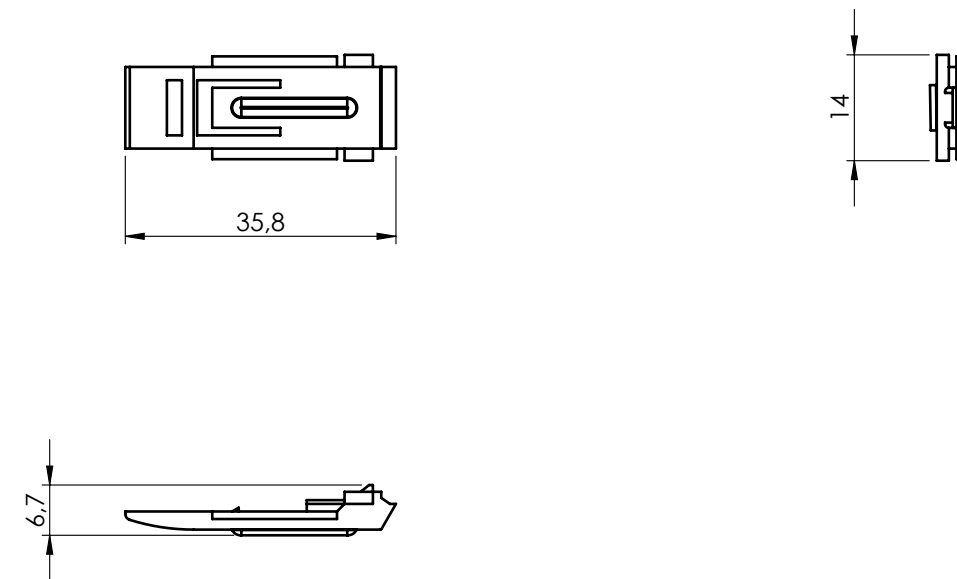
### ACCESSORIO SX



### HINGED PANEL

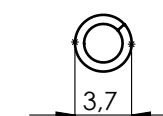
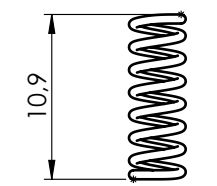


### HOOK



### SPRING

2:1



General Tolerance UNI EN 22768/1 Media (m)					Sheet:
from 0.5 to 3 ± 0.1	from 3 to 6 ± 0.1	from 6 to 30 ± 0.2	from 30 to 120 ± 0.3	from 120 to 400 ± 0.5	2
Scale:	IM:	Drawn:	Checked:	Date:	Material:
1:1	--	M.S.	R.N.	12/12/2023	Process:
Dimension in mm		Replaces the:		Derived from:	Weight:
		--		--	gr
<b>italtronic</b> enclosures for electronics italtronic.com					Description: KIT CONTENITORE RAILBOX 22.5MM RASPBERRY PI4B KIT ENCLOSURE RAILBOX 22.5MM RASPBERRY PI4B Drawing nr.: <b>3_050_00035</b>
Rev.: 00					A2