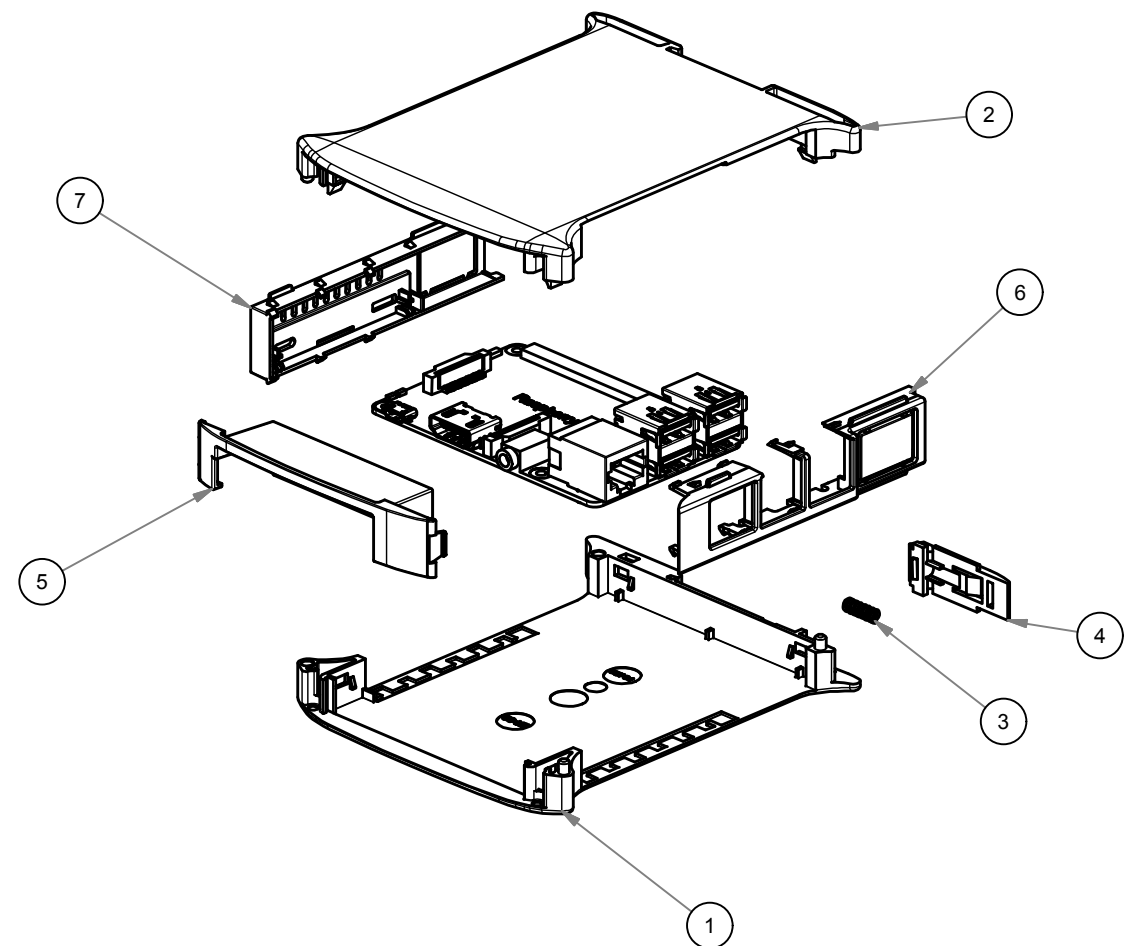
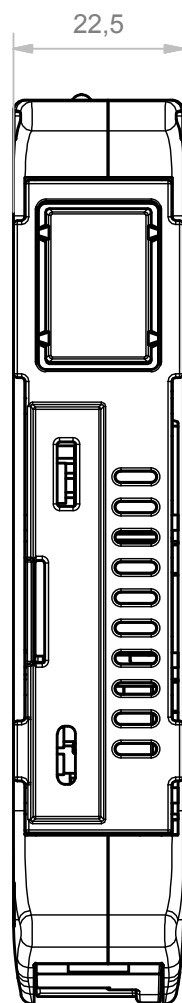
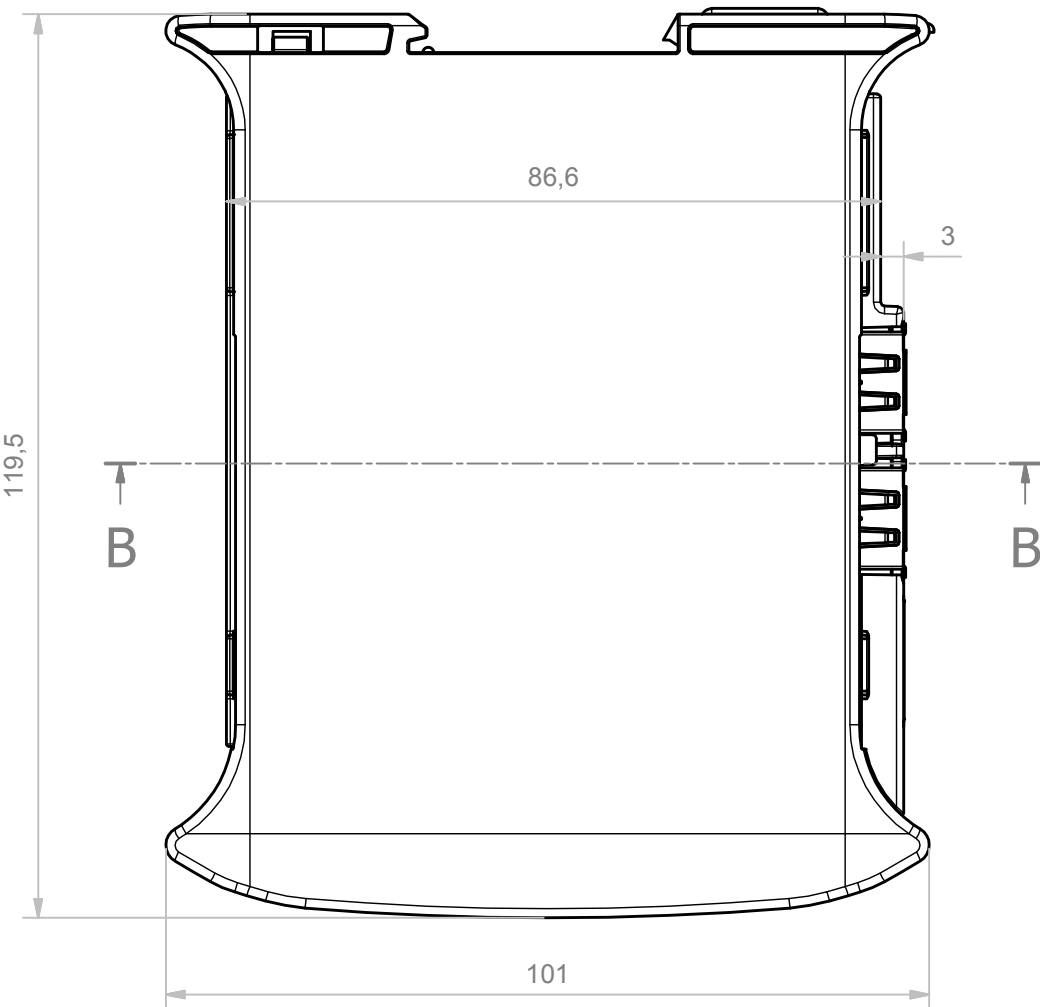
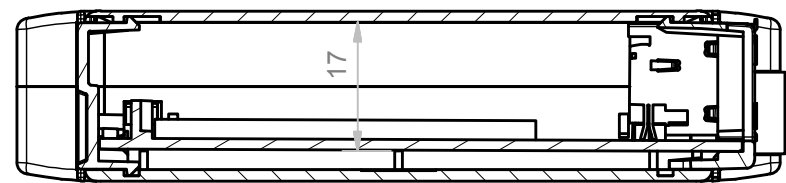
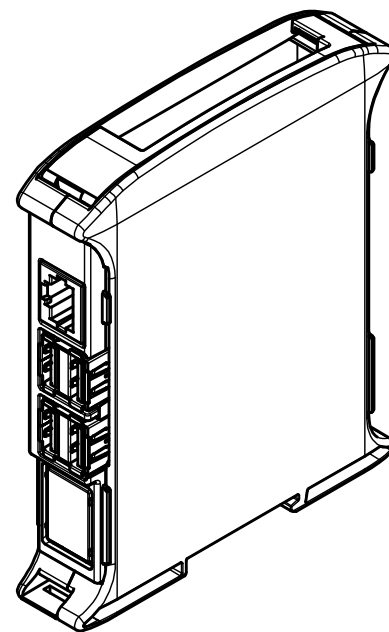


B-B (1:1)



RIF.	Q.TY	DESCRIPTION	DRAWING
1	1	BASE RAILBOX 12.5 MM 3L	1.001.03429
2	1	COVER RAILBOX 10 MM 3L	1.001.03497
3	1	SPRING FOR HOOK RAILBOX	1.001.07874
4	1	HOOK RAILBOX	1.001.00249
5	1	FRONT HINGED RAILBOX RASPBERRY PI B+/PI 3	1.001.07339
6	1	HOLE COVER BREAKABLE 22.5 RASPBERRY PI B+/PI 3 LEFT	1.001.07338
7	1	HOLE COVER BREAKABLE 22.5 RASPBERRY PI B+/PI 3 RIGHT	1.001.07831



General Tolerance UNI EN 22768/1 Media (m)										
from 0.5 to 3	from 3 to 6	from 6 to 30	from 30 to 120	from 120 to 400						
± 0.1	± 0.1	± 0.2	± 0.3	± 0.5						
Scale: 1 : 1	Sheet nr.: 1 / 1	Drawn: N.R.	Checked: F.F.	Date: 21/03/2018	5	4	3	2	1	Revision description
Dimension in mm		Material:		Weight:	Volume:					
 www.italtronic.com techcare@italtronic.com		Description:		KIT 22,5 RAILBOX RASPBERRY PI 3 KIT 22,5 RAILBOX RASPBERRY PI 3						
		Drawing nr.		3.050.00013					Rev. 00	

RESERVED PROPERTY: The present drawing cannot be reproduced or communicated to 3rd parties, even partially, without the authorization of ITALTRONIC Srl. Italtronic reserves to protect its own rights according to the law.