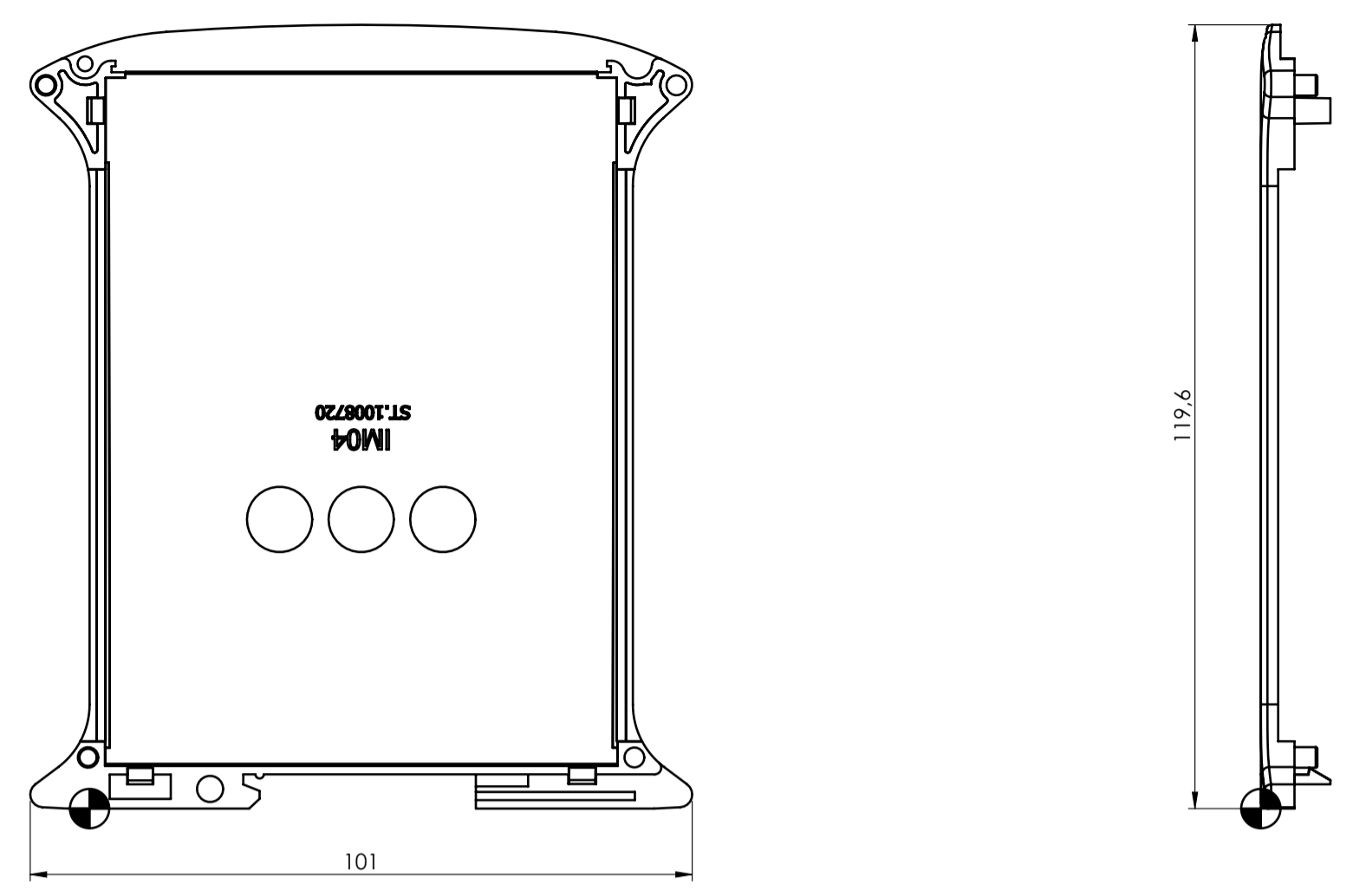
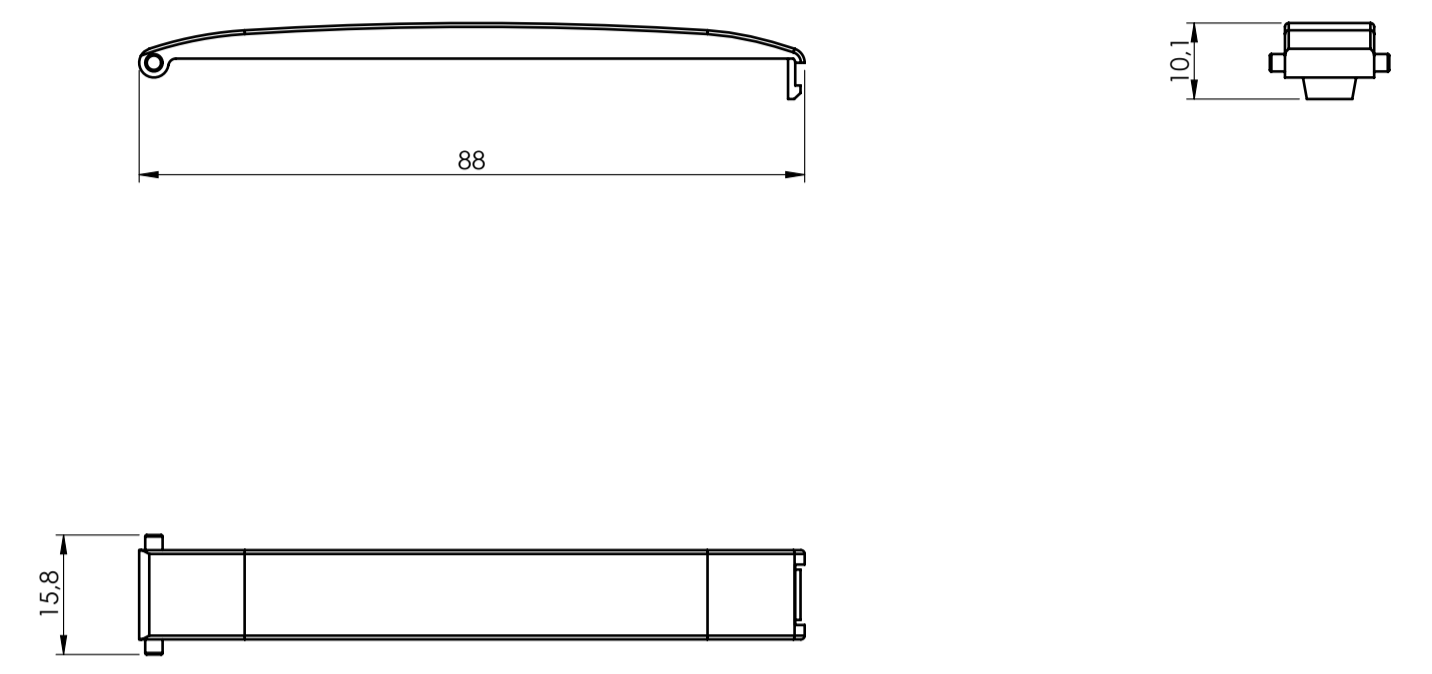


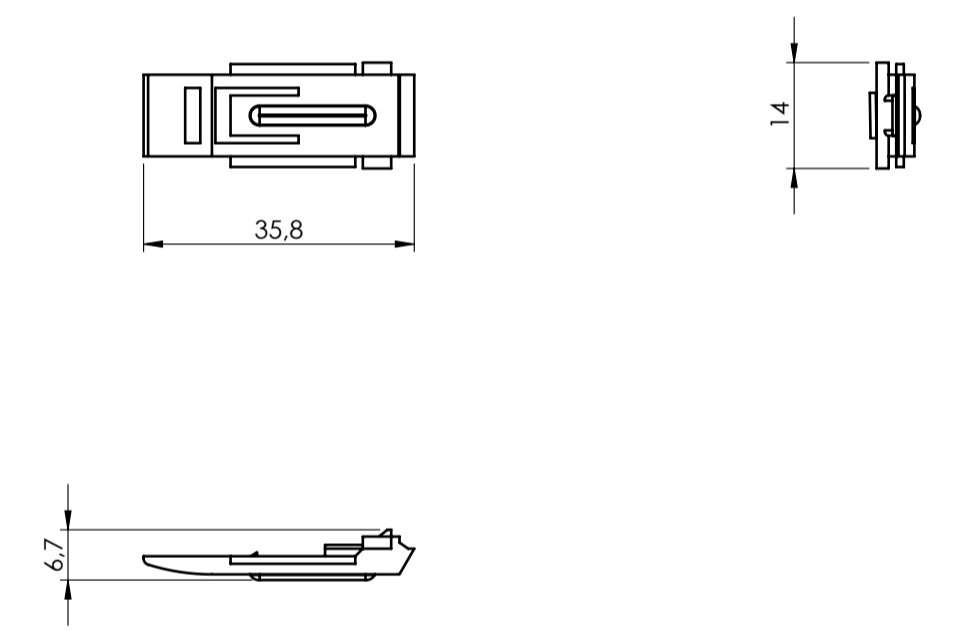
COVER RAILBOX



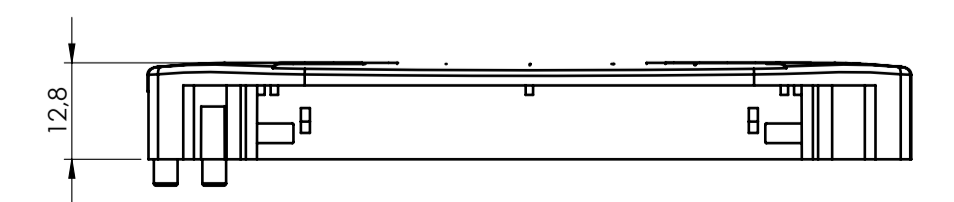
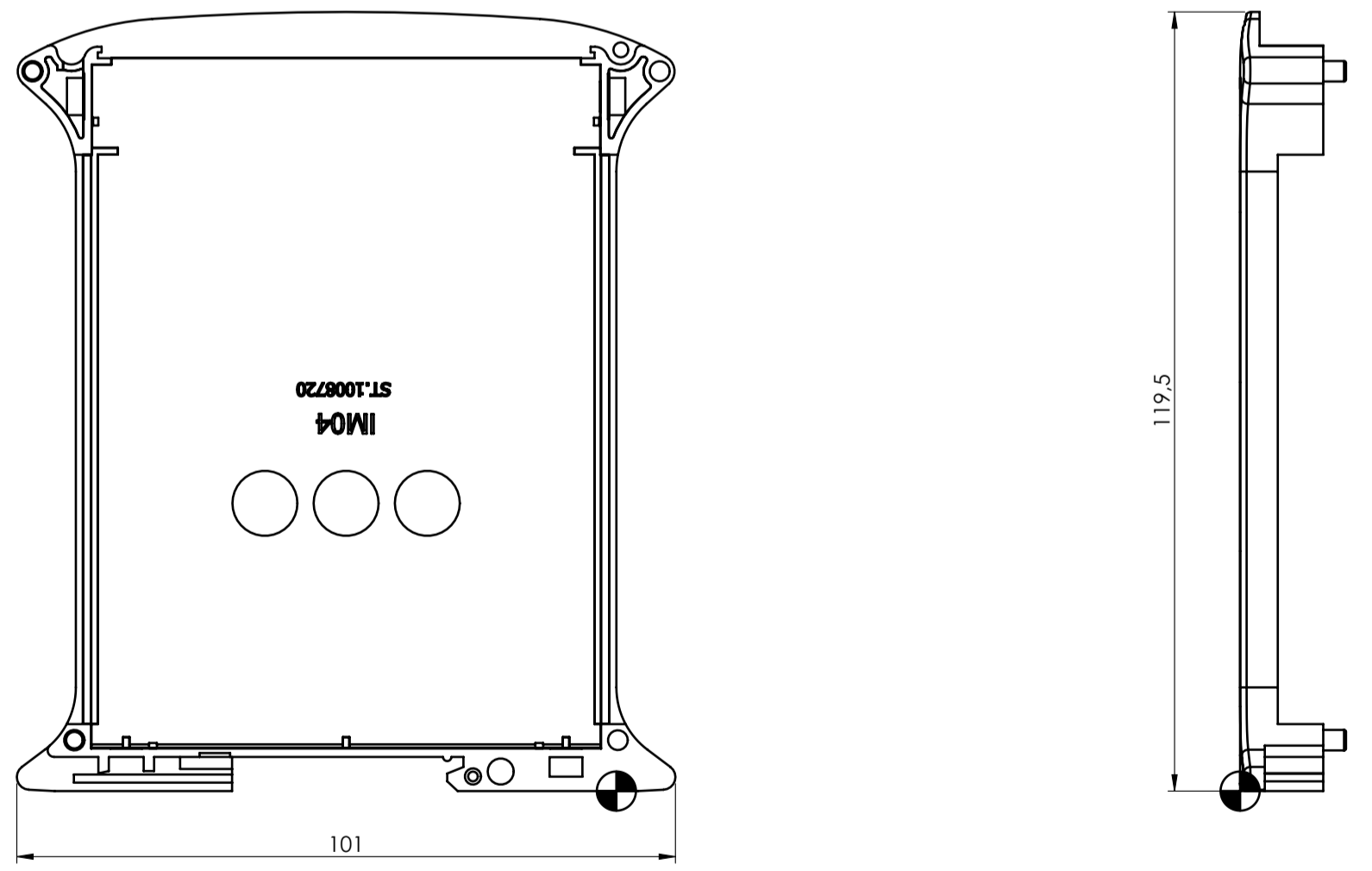
HINGED PANEL



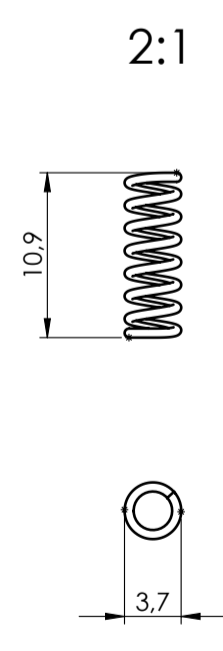
HOOK



BASE RAILBOX



SPRING



General information:  
 - Workpiece zero point for mechanical processing  
 - Minimum recommended radius for machining = R1.0 mm  
 - Mounting rail like EN 60715:TH 35-15  
 - Recommended PCB outline on [www.italtronic.com](http://www.italtronic.com)

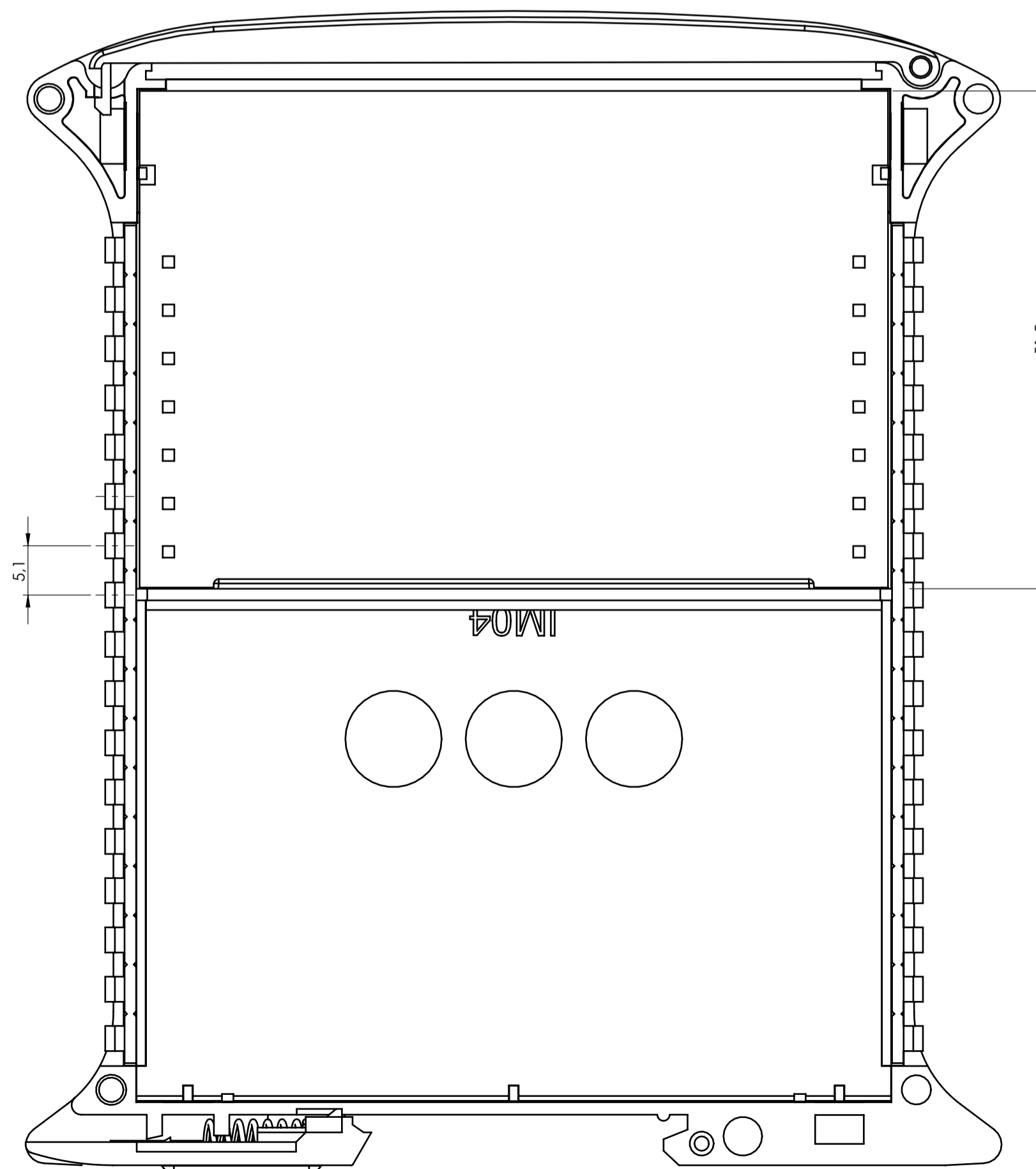
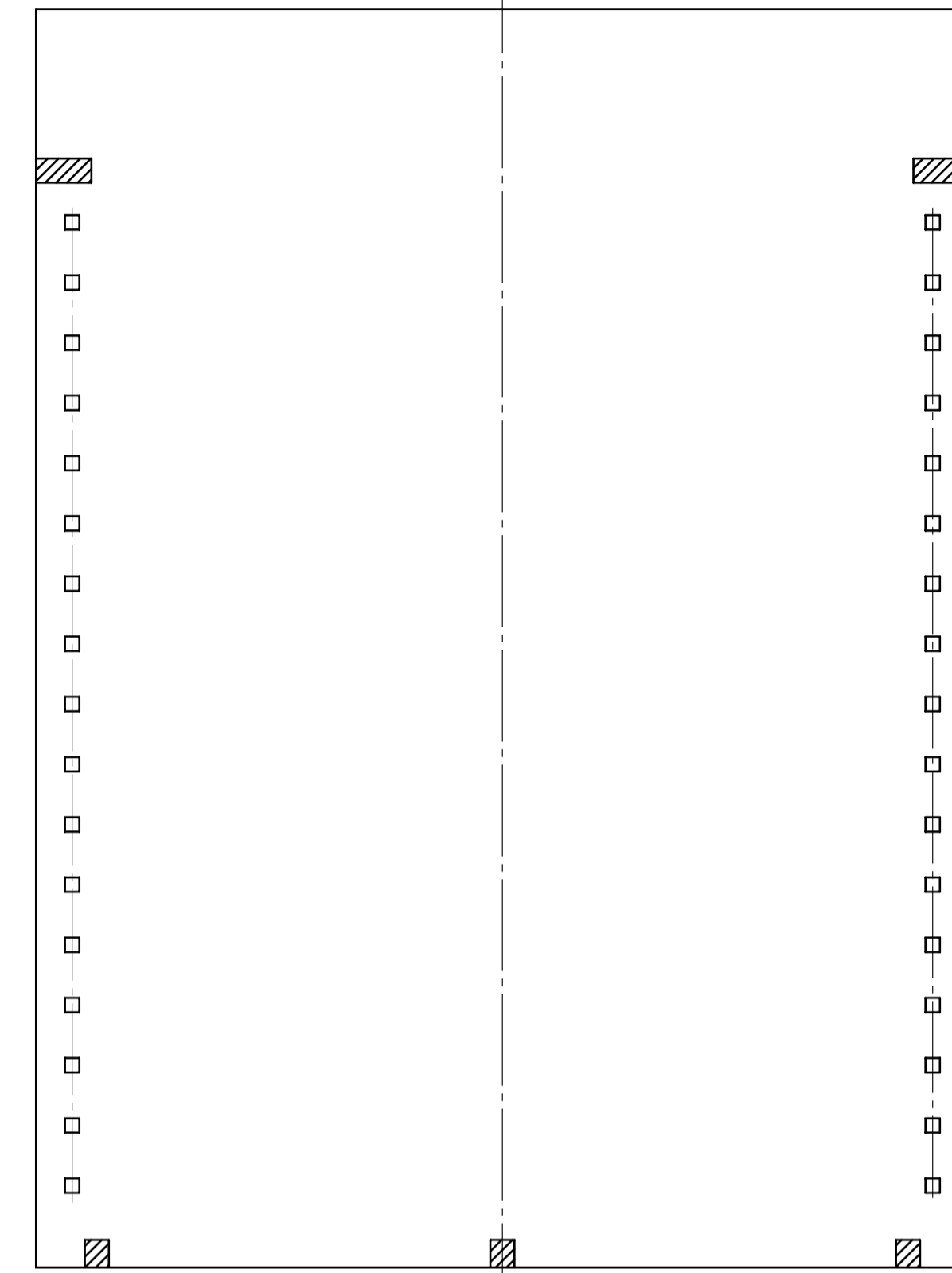
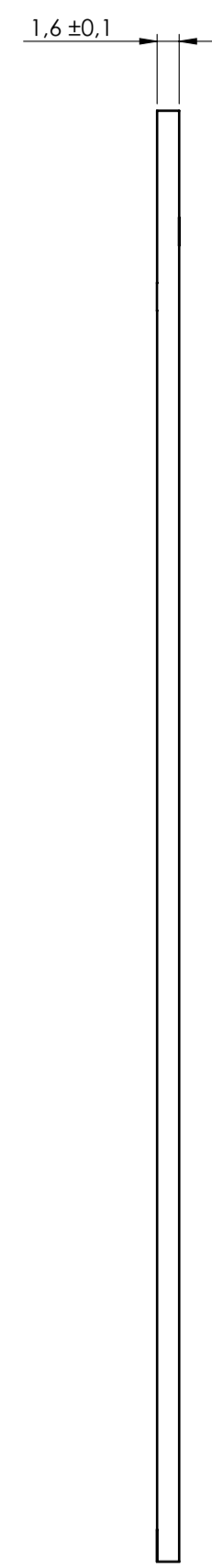
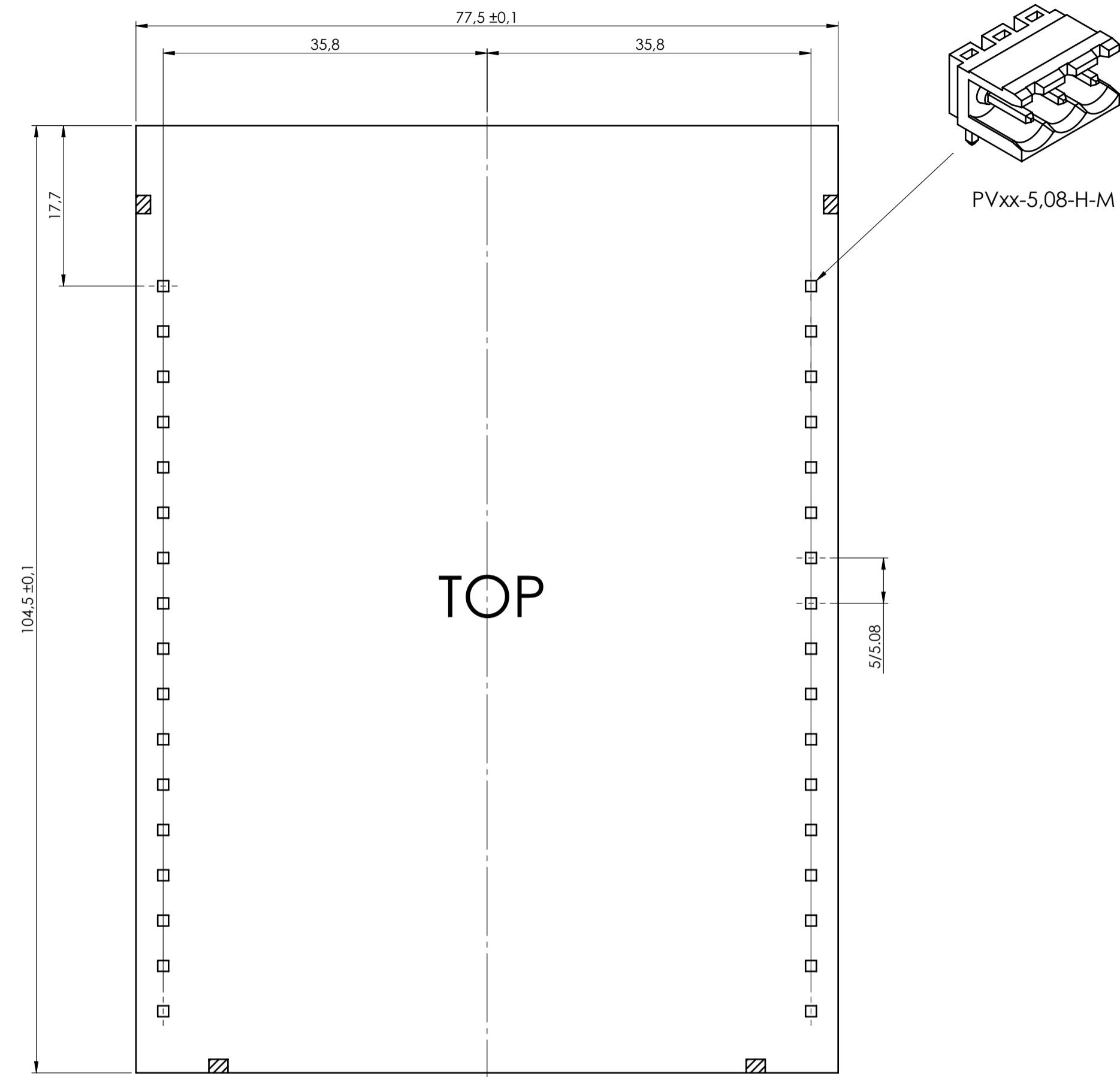
RIF.	Q.TY	DRAWING	DESCRIPTION
1	1	2_110_00054	BASE RAILBOX VERTICAL 12.5 MM
2	1	2_110_00055	COVER RAILBOX VERTICAL 5 MM - 2017
3	1	2_110_00032	HOOK RAILBOX
4	1	2_110_00008	FRONT HINGED TRANSPARENT PANEL 12 MM
5	1	2_110_00011	SPRING FOR HOOK RAILBOX

General Tolerances (UNE EN 22768/1) Media [mm]					
from 0.5 to 3	from 3 to 6	from 6 to 30	from 30 to 120	from 120 to 400	Sheet
±0.1	±0.1	±0.2	±0.3	±0.5	1

Scale:	IM:	Drawn:	Checked:	Date:	Material:	Process:
1:1	--	M.S.	R.N.	02/08/2023		

Description:		Rev:
KIT CONTENITORE RAILBOX STANDARD 17.5 MM KIT ENCLOSURE RAILBOX STANDARD 17.5 MM		0

PCB V



example for assambling PCB  
with adapter "PCB RAILBOX  
VERTICAL"

General Tolerance UNE EN 22768/1 Media [m]				Sheet:	
from 0.5 to 3	from 3 to 6	from 6 to 30	from 30 to 120	from 120 to 400	PCB
± 0.1	± 0.1	± 0.2	± 0.3	± 0.5	Process:
Scale: 2:1	IM:	Drawn: M.S.	Checked: R.N.	Date: 02/08/2023	Material:
Dimension in mm		Replaces the: R-03446-00		Derived from:	Weight: gr
		Description:		Cod. Mod: --	
		KIT CONTENITORE RAILBOX STANDARD 17.5 MM		Rev: 0	
		KIT ENCLUSURE RAILBOX STANDARD 17.5 MM		A1	
		Drawing IT: 3_110_00017			
		italtronic.com			

NO COMPONENTS AREA