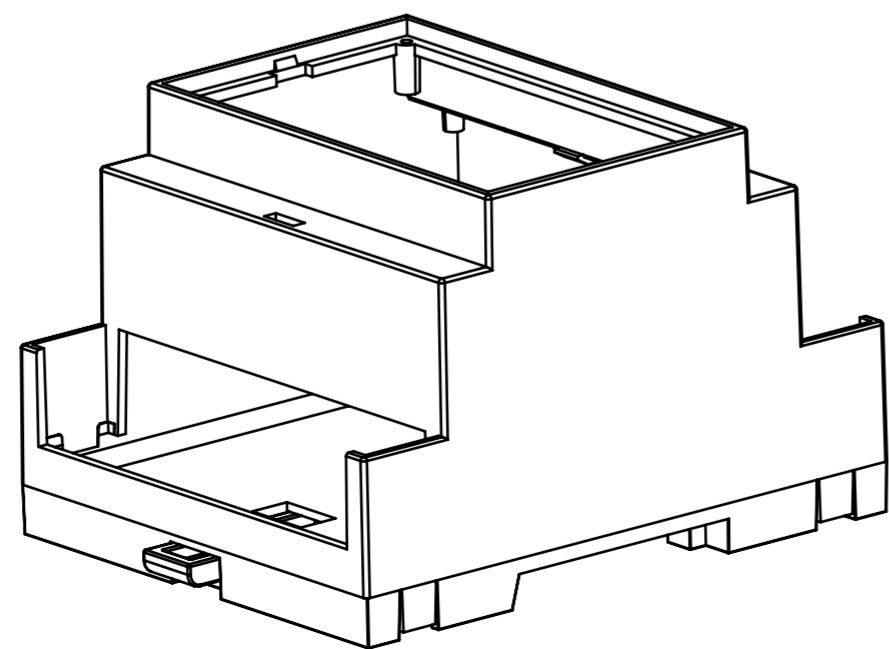
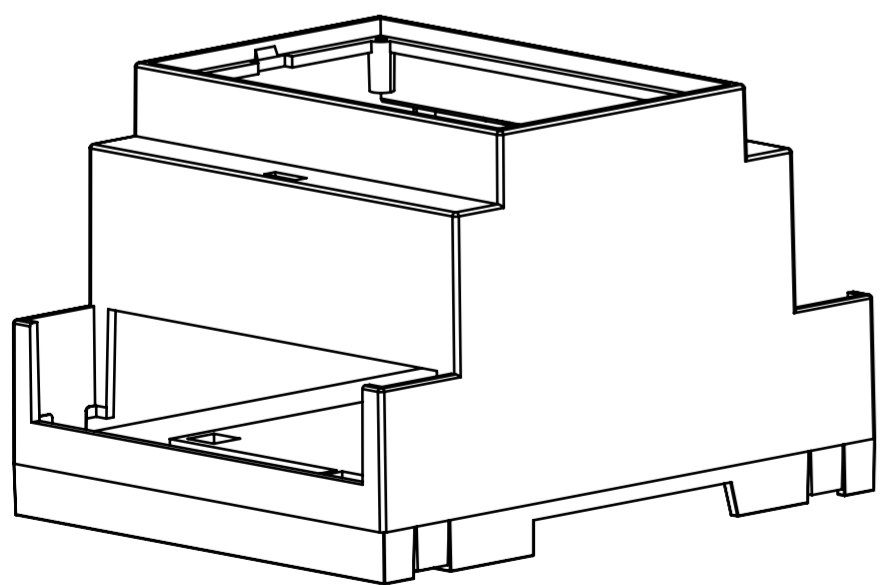
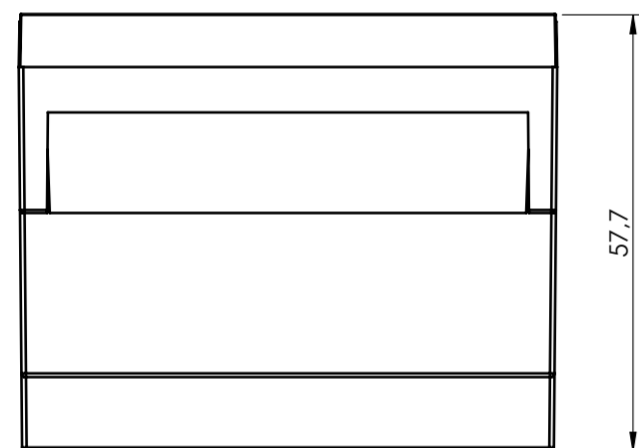
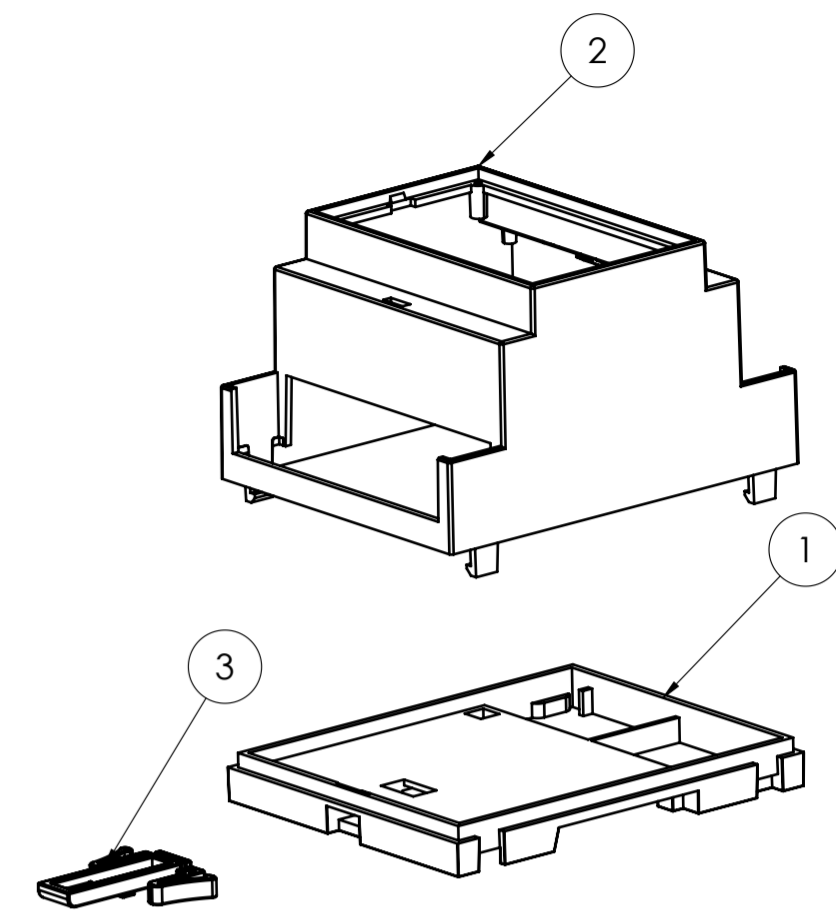
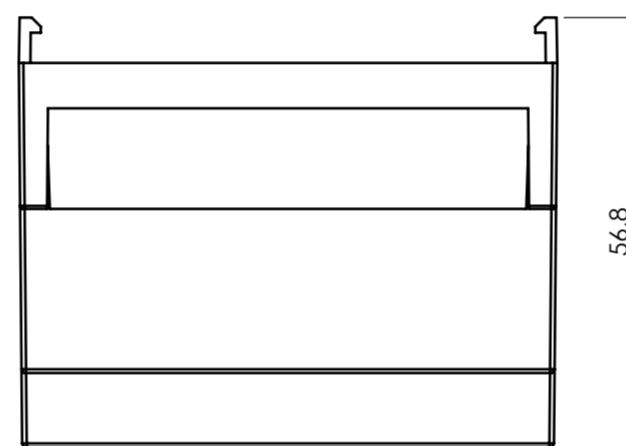
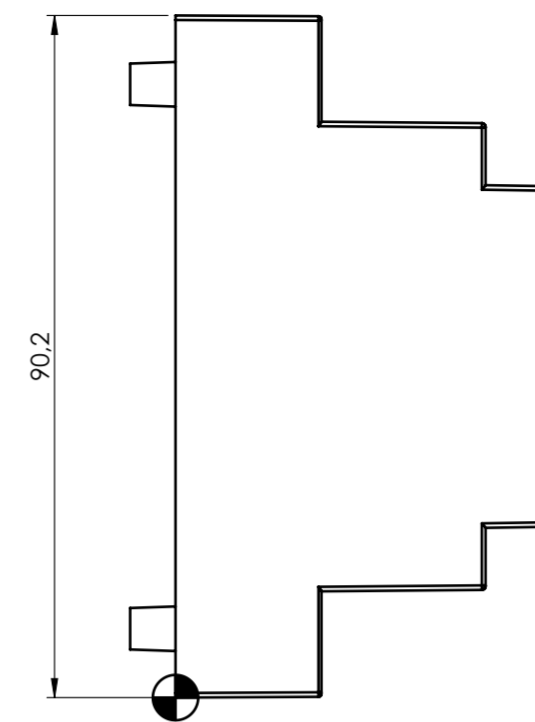
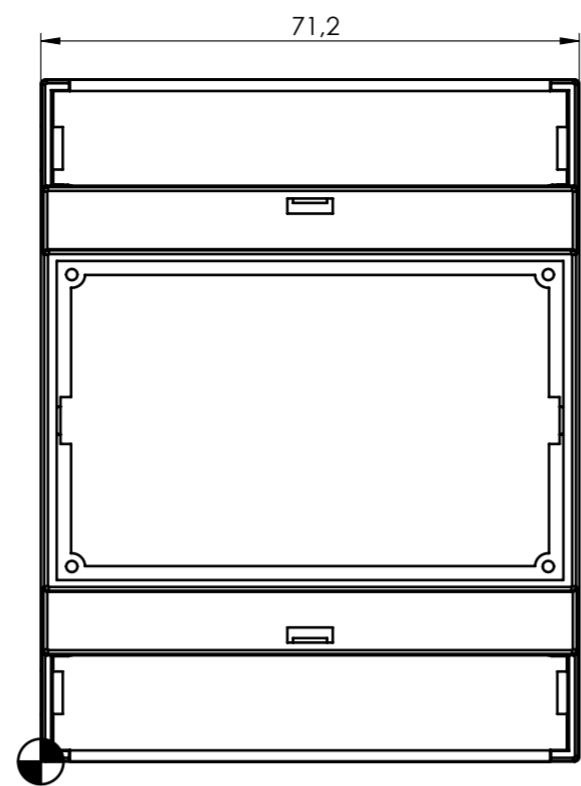


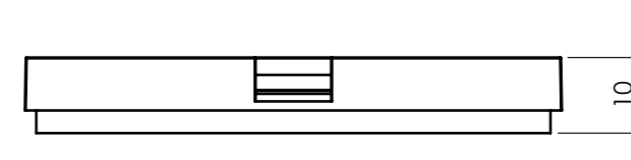
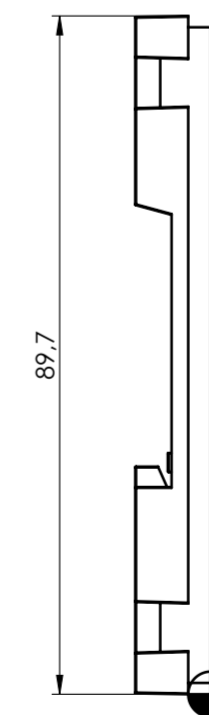
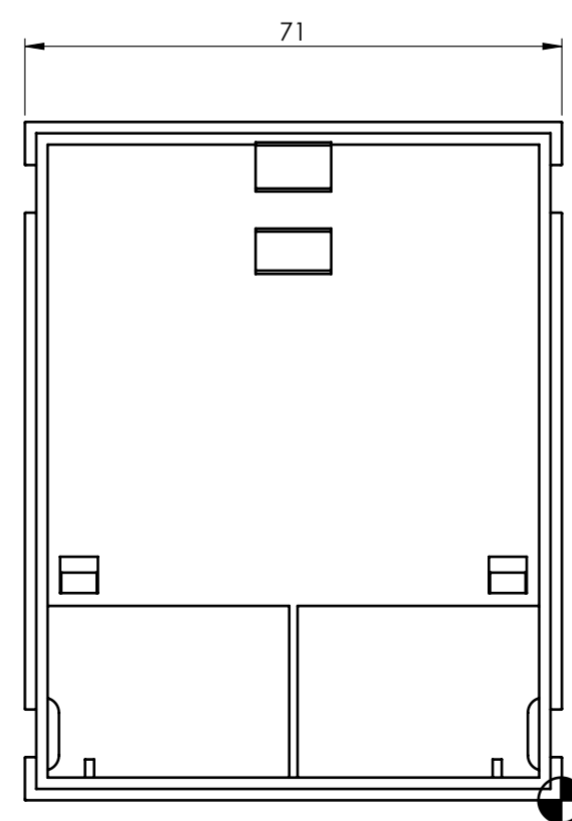
SECTION A-A



BODY ENCLOSURE

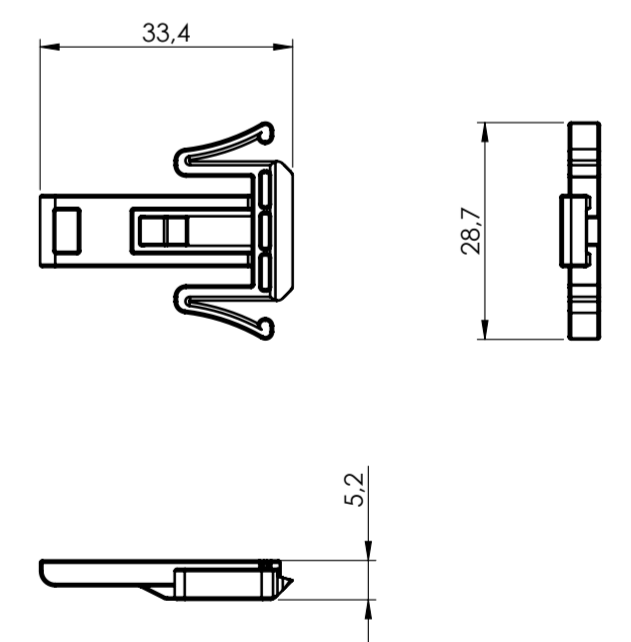


BASE




General information:
 - Workpiece zero point for mechanical processing
 - Minimum recommended radius for machining = R1.0 mm
 - Mounting rail like EN 60715: TH 35-7.5 or TH 35-15
 - Recommended PCB outline on www.italtronic.com

HOOK

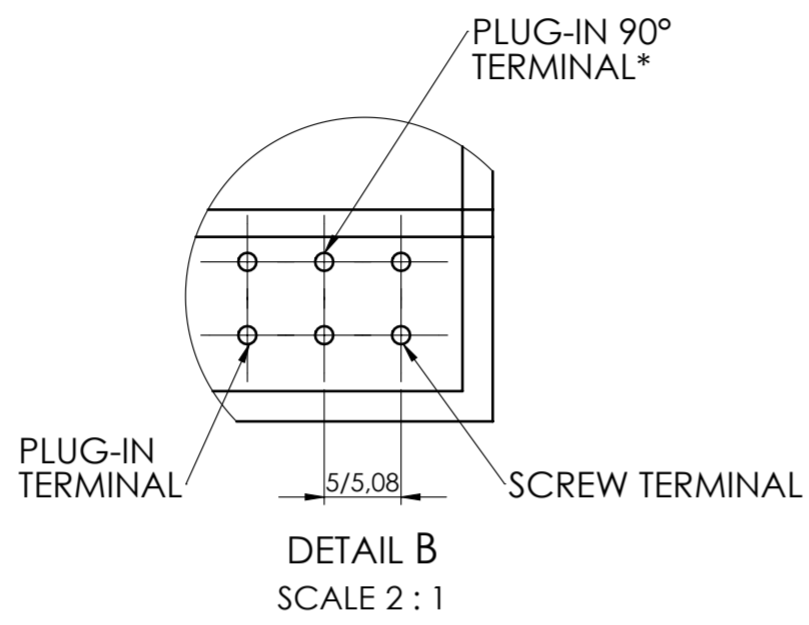
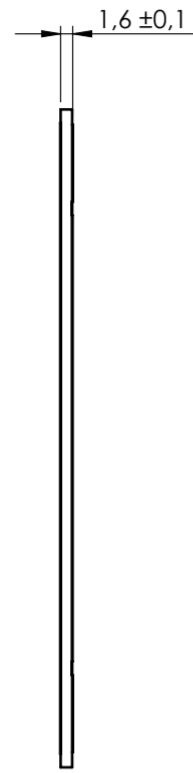
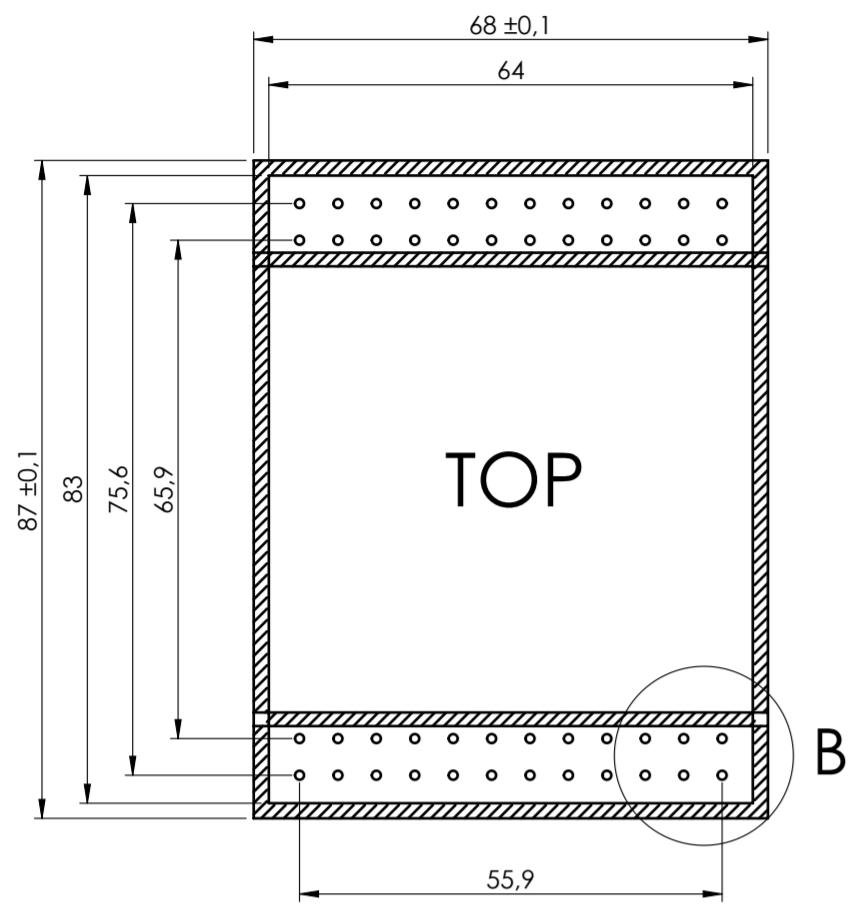


RIF.	Q.TY	DRAWING	DESCRIPTION
1	1	2_250_00181	BASE MODULBOX ONE 4M
2	1	2_250_03617	BODY ENCLOSURE MODULBOX ONE 4MH53
3	1	2_250_00079	HOOK FOR MODULBOX ONE

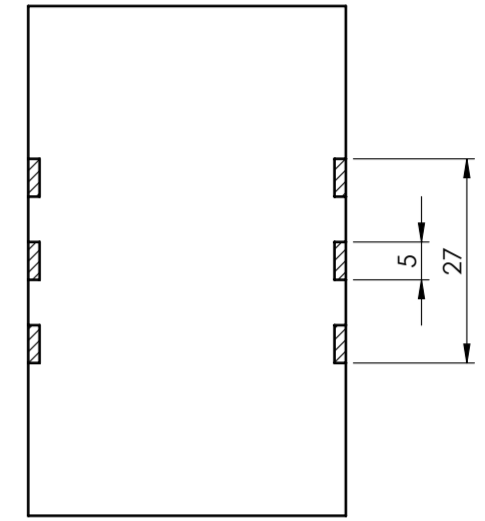
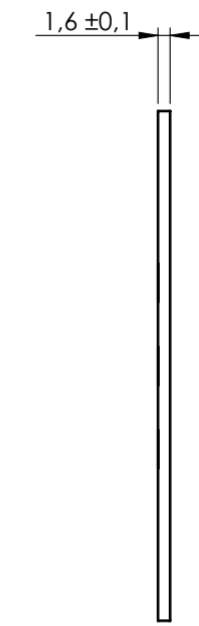
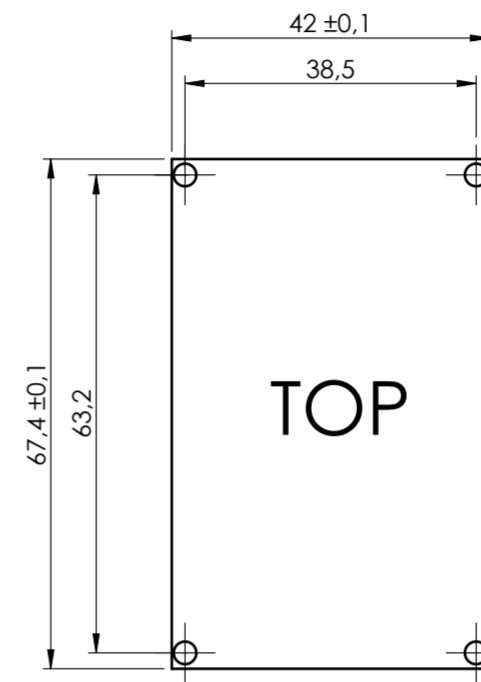
General Tolerance UNI EN 22768/1 Media (m)					Sheet:
from 0.5 to 3 ± 0.1	from 3 to 6 ± 0.1	from 6 to 30 ± 0.2	from 30 to 120 ± 0.3	from 120 to 400 ± 0.5	1
Scale:	Drawn:	Checked:	Date:	Material:	Process:
1:1	M.S.	R.N.	21/07/2023		
Dimension in mm	The present drawing cannot be reproduced or communicated to 3rd parties, even partially, without the authorization of Italtronic. All Italtronic reserves the right to modify the drawing according to the law.		Derived from:	Weight:	Cod. Mold:
			--	gr	--
 enclosures for electronics italtronic.com			Description: KIT CONTENITORE MODULBOX ONE 4MH53 KIT ENCLOSURE MODULBOX ONE 4MH53 Drawing nr.: 3_250_00153		Rev.: 00 A2

PCB A

Max height of the terminal:
Modulbox ONE: 20 mm

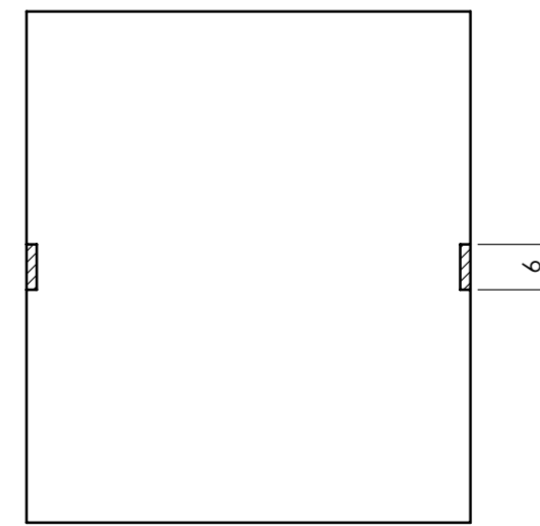
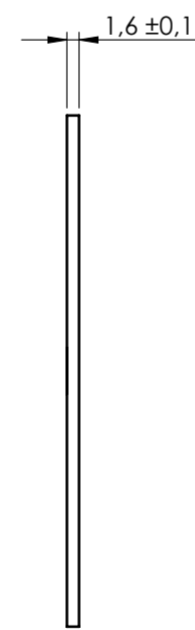
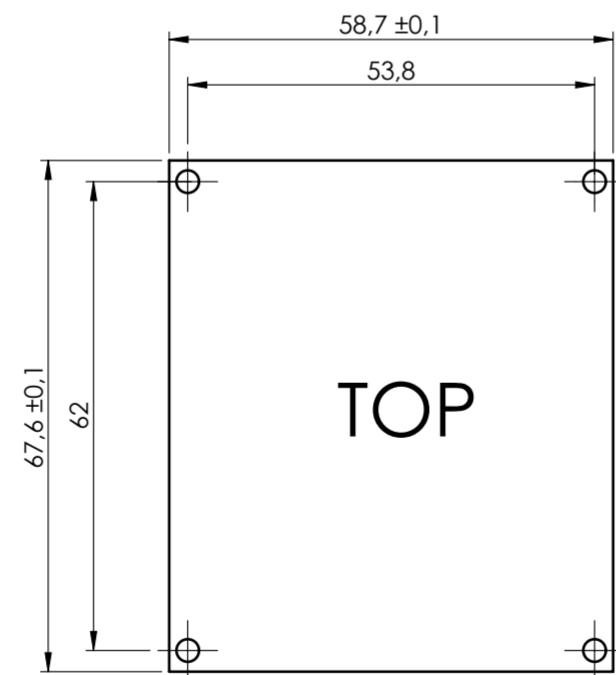



PCB C



**To use the PLUG-IN terminals in Modulbox ONE use plug-in adapter P05000003E (5/5.08 pitch) and P05000004E (7.5/7.62 pitch)*

PCB B



General Tolerance UNI EN 22768/1 Media (m)					Sheet:
from 0.5 to 3 ± 0.1	from 3 to 6 ± 0.1	from 6 to 30 ± 0.2	from 30 to 120 ± 0.3	from 120 to 400 ± 0.5	PCB
Scale:	Drawn:	Checked:	Date:	Material:	Process:
1:1	M.S.	R.N.	21/07/2023		
Dimension in mm	Derived from:		Weight:	Cod. Mold:	
	--		gr	--	
 Description: KIT CONTENITORE MODULBOX ONE 4MH53 KIT ENCLOSURE MODULBOX ONE 4MH53 Drawing nr.: 3_250_00153					Rev.: 00 A2

 NO COMPONENTS AREA